



# INSTRUCTIONS

J05777

2019-08-21



## CHROME HANDLEBAR SWITCH CAP KITS

### GENERAL

#### Kit Number

71500186A, 71500187C, 71500228C, 71500515, 71500517

#### Models

These kits contain complete sets of chrome switch caps for the left and right handlebar switches. These caps are direct replacements for the standard equipment black switch caps.

#### Installation Requirements

Ask your Harley-Davidson Dealer about Chrome Switch Housing kits and Chrome Hand Lever Bracket kits, and the selection of Handlebar Grips that are also available for these models. These items can be easily installed at the same time as this kit.

#### ⚠ WARNING

**Rider and passenger safety depend upon the correct installation of this kit. Use the appropriate service manual procedures. If the procedure is not within your capabilities or you do not have the correct tools, have a Harley-Davidson dealer perform the installation. Improper installation of this kit could result in death or serious injury. (00333b)**

#### NOTE

*This instruction sheet references service manual information. A service manual for your model motorcycle is required for this installation. One is available from a Harley-Davidson dealer.*

### Kit Contents

See Figure 1 through Figure 5 and Refer to Table 1.

### REMOVAL

1. Open or remove seat according to the instructions in the service manual.

#### ⚠ WARNING

**To prevent accidental vehicle start-up, which could cause death or serious injury, remove main fuse before proceeding. (00251b)**

2. See the service manual. Remove main fuse.
3. See the service manual. Remove front housing covers.

#### NOTE

*It is not necessary to disconnect the switch wiring to replace the switch caps.*

*Not all areas of the bezels have chrome finish. This is intentional and not a defect.*

### INSTALLATION

#### Upper Housing Switches

1. Carefully pry stock black switch cap up off the cap carrier.
2. Pry the switch cap at the top of the cap up. Remove cap.

#### NOTE

*Use the clear protective cover film to protect the chrome surface of the switch caps during installation. Remove the film after the installation is complete.*

3. Select proper chrome replacement switch cap from kit.
4. Place cap onto cap carrier starting with the top of the cap.
5. Push the bottom of the cap until snaps on.
6. Toggle switch back and forth, checking for proper operation.

#### Turn Signal Switches

1. Carefully pry stock black switch cap up from the outboard side of the cap.

#### NOTE

*Kits 71500515, 71500187C, 71500228C contains two right hand turn signal switch caps. Select and install the switch cap that matches the OE black switch cap that was removed. Discard the unused switch cap.*

2. Select proper chrome replacement switch cap from kit.
3. Place cap onto switch, starting on the inboard side of the cap.
4. Carefully press switch cap onto carrier, until it snaps into place.
5. Toggle switch back and forth, checking for proper operation.

#### Switch Cap Replacement

1. Pull stock black switch cap from switch shaft.
2. Use a T6 bit to remove the "Z" fasteners holding the bezel. Retain hardware for reuse.
3. Install desired bezel. Secure with hardware removed in previous step. Tighten.  
Torque: 2.5 N·m (22 in-lbs) screw
4. See Figure 1 and Figure 5. Select proper chrome replacement switch cap from kit. Slide the cap completely onto the shaft. Pull on cap to verify that cap is securely installed.



**NOTE**

The cap fits snugly to prevent the cap from loosening during regular operation.

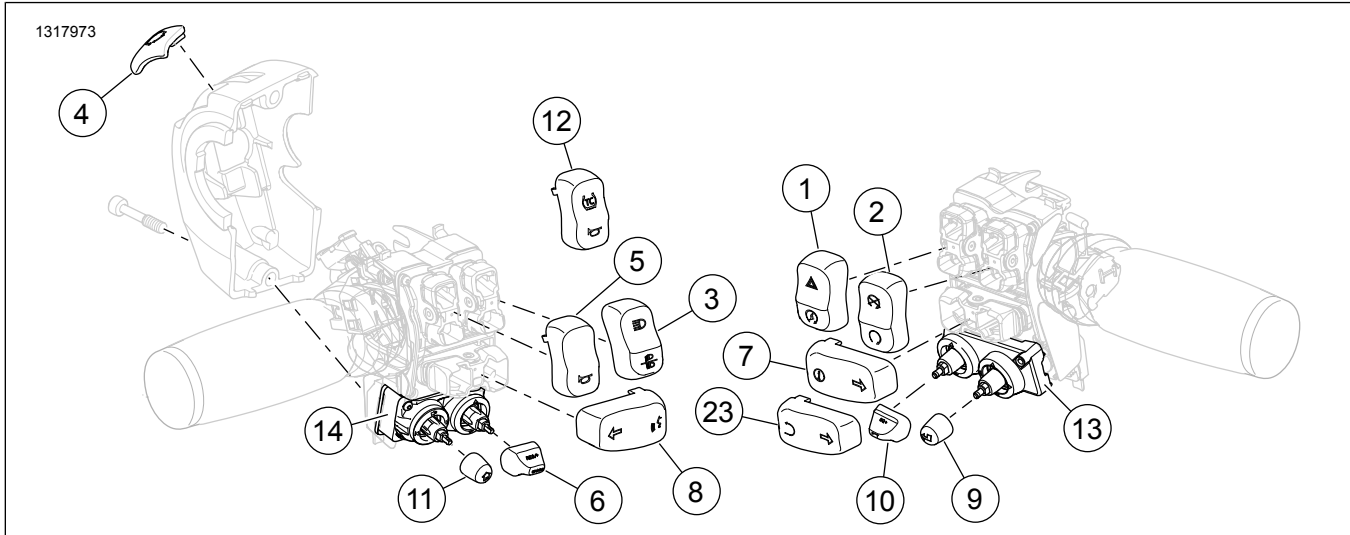
5. Toggle the switch back and forth, checking for proper operation.

**Assemble Switches**

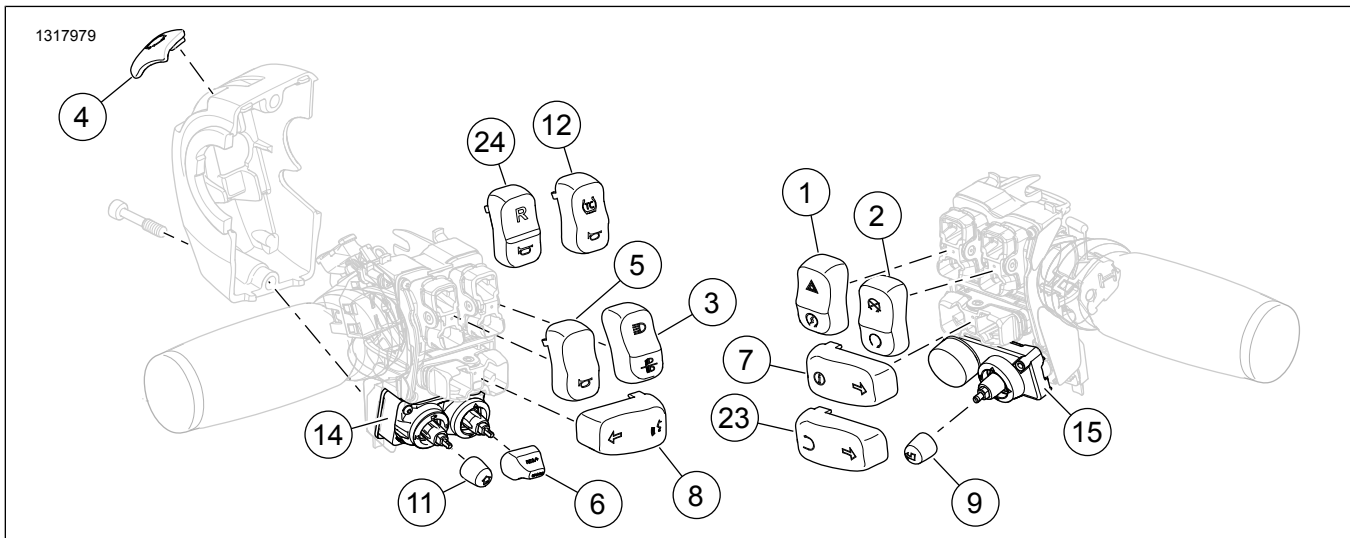
1. Assemble individual switches back into switch housings. Use care when installing switches to avoid damage. Refer to the service manual.

2. Install left and right side switch housing assemblies. Refer to the service manual. Remove and discard clear protective installation covers.
3. See the service manual. Install the fuse.
4. See service manual. Install seat. After installing seat, pull up on the seat to verify that it is secure.
5. Test all the handlebar switches for proper operation.

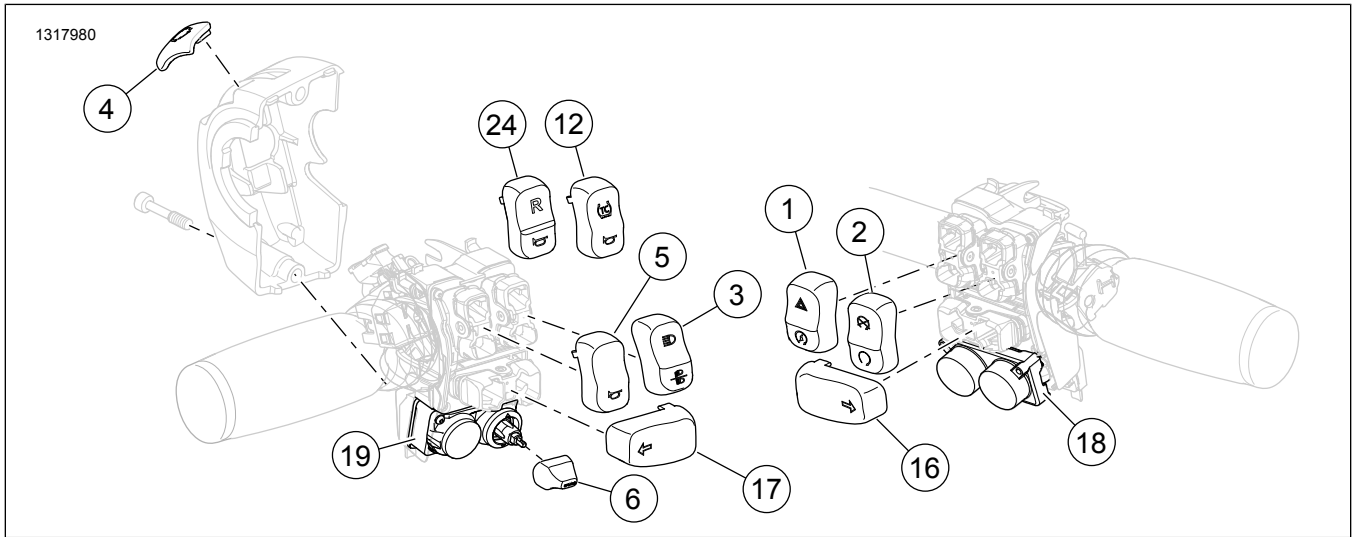
**SERVICE PARTS**



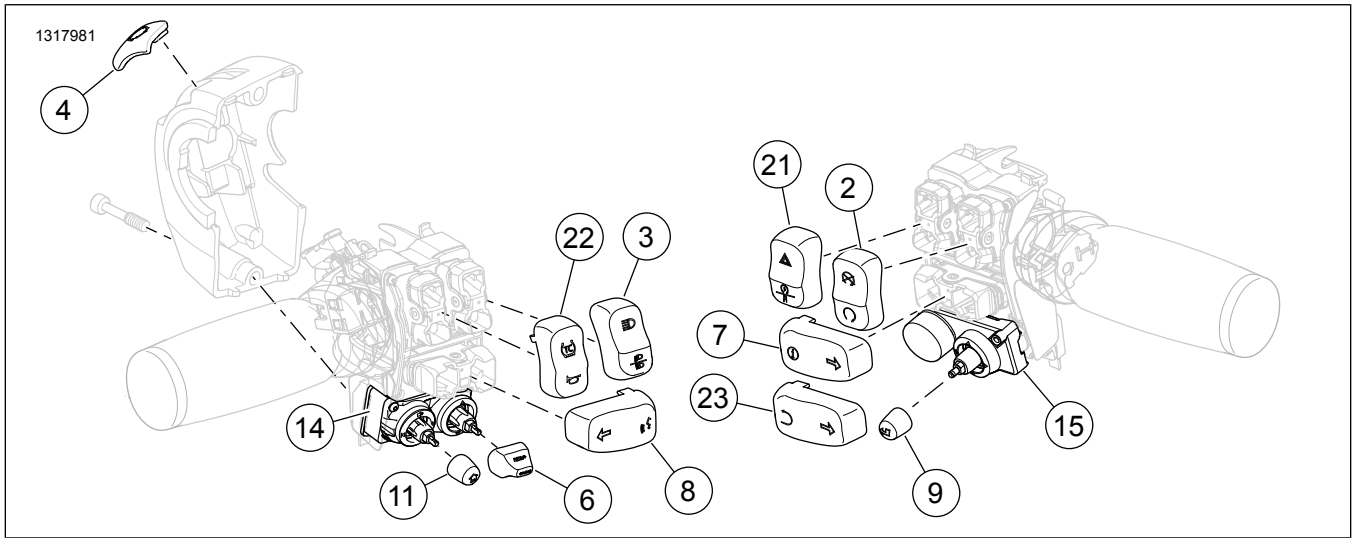
**Figure 1. Service Parts for 71500228C: Chrome Handlebar Switch Caps**



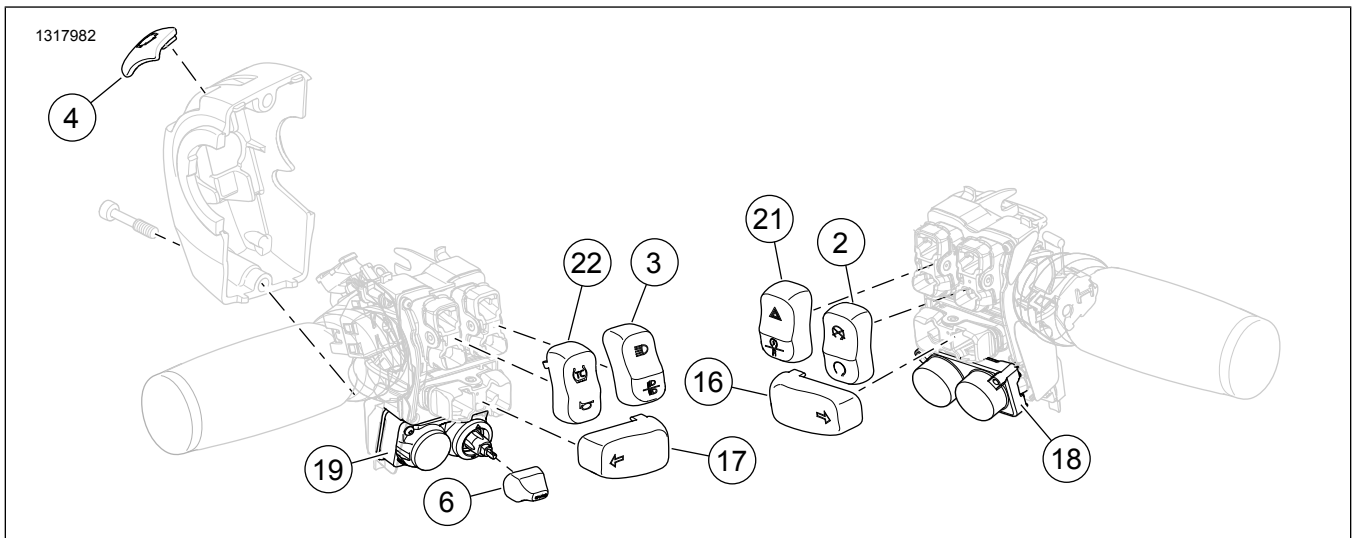
**Figure 2. Service Parts for 71500187C: Chrome Handlebar Switch Caps**



**Figure 3. Service Parts for 71500186A: Chrome Handlebar Switch Caps**



**Figure 4. Service Parts for 71500515: Chrome Handlebar Switch Caps**



**Figure 5. Service Parts for 71500517: Chrome Handlebar Switch Caps**

**Table 1. Service Parts: Chrome Handlebar Switch Caps**

Kit	Item	Description (Quantity)	Part Number
<b>Kit 71500228C</b>			
	1	Switch cap, START/HAZARD	Not Sold Separately
	2	Switch cap, OFF/ENGINE STOP/RUN	Not Sold Separately
	3	Switch cap, LIGHTS HI/LO	Not Sold Separately
	4	Switch cap, TRIGGER FINGER	Not Sold Separately
	5	Switch cap, HORN	Not Sold Separately
	6	Switch cap, CRUISE CONTROL	71500189
	7	Switch cap, TURN SIGNAL RH/INFORMATION	71500196
	8	Switch cap, TURN SIGNAL LH/VOICE	71500194
	9	Switch cap, AUDIO/SELECT	71500191
	10	Switch cap, PTT/SQUELCH	71500188
	11	Switch cap, AUDIO/HOME	71500190
	12	Switch cap, TRACTION CONTROL/HORN	71500499
	13	Bezel, AUDIO/PTT	71500206
	14	Bezel, AUDIO/CRUISE CONTROL	71500204
	23	Switch cap, TURN SIGNAL RH/BACK	71500551
<b>Kit 71500187C</b>			
	1	Switch cap, START/HAZARD	Not Sold Separately
	2	Switch cap, OFF/ENGINE STOP/RUN	Not Sold Separately
	3	Switch cap, LIGHTS HI/LO	Not Sold Separately
	4	Switch cap, TRIGGER FINGER	Not Sold Separately
	5	Switch cap, HORN	Not Sold Separately
	6	Switch cap, CRUISE CONTROL	71500189
	7	Switch cap, TURN SIGNAL RH/INFORMATION	71500196
	8	Switch cap, TURN SIGNAL LH/VOICE	71500194
	9	Switch cap, AUDIO/SELECT	71500191
	11	Switch cap, AUDIO/HOME	71500190
	12	Switch cap, TRACTION CONTROL/HORN	71500499
	14	Bezel, AUDIO/CRUISE CONTROL	71500204
	15	Bezel, AUDIO/PTT	71500205
	23	Switch cap, TURN SIGNAL RH/BACK	71500551
	24	Switch cap, REVERSE/HORN	71500198
<b>Kit 71500186A</b>			
	1	Switch cap, START/HAZARD	Not Sold Separately
	2	Switch cap, OFF/ENGINE STOP/RUN	Not Sold Separately
	3	Switch cap, LIGHTS HI/LO	Not Sold Separately
	4	Switch cap, TRIGGER FINGER	Not Sold Separately
	5	Switch cap, HORN	Not Sold Separately
	6	Switch cap, CRUISE CONTROL	71500189
	12	Switch cap, TRACTION CONTROL/HORN	71500499
	16	Switch cap, TURN SIGNAL RH	71500195
	17	Switch cap, TURN SIGNAL LH	71500193
	18	Bezel, DOUBLE	71500202
	19	Bezel, CRUISE CONTROL	71500201
	24	Switch cap, REVERSE/HORN	71500198
<b>Kit 71500515</b>			
	2	Switch cap, OFF/ENGINE STOP/RUN	Not Sold Separately
	3	Switch cap, LIGHTS HI/LO	Not Sold Separately
	4	Switch cap, TRIGGER FINGER	Not Sold Separately
	6	Switch cap, CRUISE CONTROL	71500189
	7	Switch cap, TURN SIGNAL RH/INFORMATION	71500196
	8	Switch cap, TURN SIGNAL LH/VOICE	71500194
	9	Switch cap, AUDIO/SELECT	71500191
	11	Switch cap, AUDIO/HOME	71500190
	14	Bezel, AUDIO/CRUISE CONTROL	71500204
	15	Bezel, AUDIO/PTT	71500205
	21	Switch cap, START/REVERSE/HAZARD	71500500
	22	Switch cap, TRACTION CONTROL/HORN	71500499
	23	Switch cap, TURN SIGNAL RH/BACK	71500551
<b>Kit 71500517</b>			
	2	Switch cap, OFF/ENGINE STOP/RUN	Not Sold Separately
	3	Switch cap, LIGHTS HI/LO	Not Sold Separately
	4	Switch cap, TRIGGER FINGER	Not Sold Separately
	6	Switch cap, CRUISE CONTROL	71500189

**Table 1. Service Parts: Chrome Handlebar Switch Caps**

<b>Kit</b>	<b>Item</b>	<b>Description (Quantity)</b>	<b>Part Number</b>
	16	Switch cap, TURN SIGNAL RH	71500195
	17	Switch cap, TURN SIGNAL LH	71500193
	18	Bezel, DOUBLE	71500202
	19	Bezel, CRUISE CONTROL	71500201
	21	Switch cap, START/REVERSE/HAZARD	71500500
	22	Switch cap, TRACTION CONTROL/HORN	71500499