



INSTRUCTIONS

J06506

2019-08-21



ACCESSORY FOOTBOARD INSERTS

GENERAL INFORMATION

Table 1. General Information

Kits	Suggested Tools	Skill Level ⁽¹⁾	Time
50500722, 50500718, 50500729, 50500732, 50501283, 50501284, 50501396, 50501398, 50501400, 50501401	Screwdriver, Liquid dishwashing soap		0.75 hours

(1) Only simple tools and techniques required

KIT CONTENTS

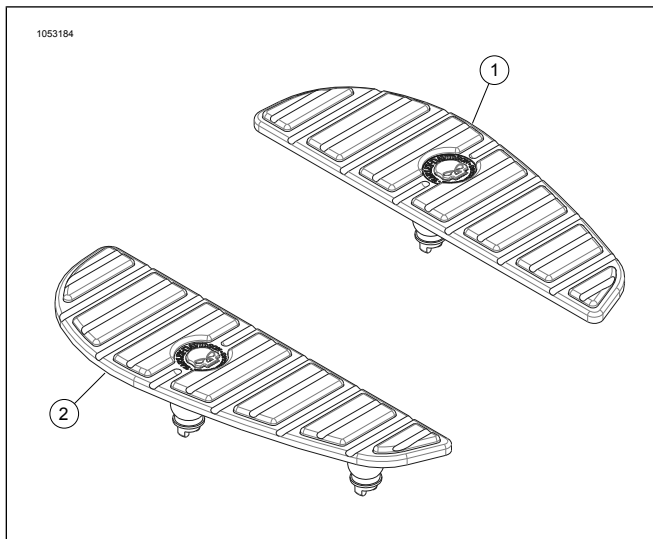


Figure 1. Kit Contents: Footboard Insert Kits (typical)

Table 2. Kit Contents: Footboard Insert Components

<input checked="" type="checkbox"/>	Item	Description	Part No.
<input type="checkbox"/>	1	Footboard, rider, right side	Not sold separately
<input type="checkbox"/>	2	Footboard, rider, left side	Not sold separately

NOTE

Verify all contents are present in the kit before installing or removing items from vehicle.

GENERAL

Kit Number

Models

For model fitment information, see the P&A Retail Catalog or the Parts and Accessories section of www.harley-davidson.com (English only).

INSTALLATION

Remove Existing Footboard Inserts

1. Apply liquid dishwashing soap to the footboard insert rubber bulbs protruding through the bottom of the footboard.
2. Insert screwdriver into hole in underside of bulb and push bulb through footboard pan. Alternately, use a small screwdriver to work bulb through pan.

Install New Footboard Inserts

1. Apply liquid dishwashing soap to the new footboard insert rubber bulbs.

2. **NOTE**
Medallion of Ride Free inserts should be toward rear of bike.

Place the footboard insert into position on the footboard.

3. Use pliers to pull each rubber bulb into its footboard hole until the bulbs protrude through the footboard.
4. Repeat the above steps for the remaining footboard insert.