



INSTRUCTIONS

J06589

2019-08-21



BREAKOUT CLAMP AND RISER KIT

GENERAL

Kit Number

55900157, 55900157A, 55900157B, 55900194

Models

For model fitment information, see the P&A Retail Catalog or the Parts and Accessories section of www.harley-davidson.com (English only).

Installation Requirements

⚠ WARNING

Rider and passenger safety depend upon the correct installation of this kit. Use the appropriate service manual procedures. If the procedure is not within your capabilities or you do not have the correct tools, have a Harley-Davidson dealer perform the installation. Improper installation of this kit could result in death or serious injury. (00333b)

NOTE

This instruction sheet refers to service manual information. A service manual for this year/model motorcycle is required for this installation and is available from a Harley-Davidson dealer.

Kit Contents

See Figure 2 and Table 1.

PREPARATION

⚠ WARNING

To prevent accidental vehicle start-up, which could cause death or serious injury, remove main fuse before proceeding. (00251b)

1. Remove main fuse. See service manual.
2. Cover fuel tank with H-D service covers or clean shop towels to prevent scratching the finish.
3. Remove handlebar clamp, handlebar and risers. See service manual.

NOTE

Note all electrical, cable and brake line connection routings and the order of riser hardware when removed.

INSTALLATION

1. See Figure 1. Place instrument cluster (2) in handlebar clamp (1).

2. Install screws (3). Tighten.
Torque: 1.4–1.9 N·m (12–17 in-lbs) *Instrument cluster screws.*
3. See Figure 2. Install the handlebar risers (3). See service manual.

NOTE

Leave handlebar risers (4) loose.

4. Center handlebar (A) between risers using knurled areas (B) of handlebar as a guide.
5. Place handlebar clamp (2) in position.
6. Install screws (1). DO NOT tighten.
7. Raise handlebars to normal riding position and hold in position.
8. Secure handlebars.
 - a. Snug two front screws.

NOTE

A slight gap between upper clamp and risers should exist at front.

- b. Snug two rear screws.
- c. Secure two front screws. Tighten.
Torque: 16.3–20.3 N·m (12–15 ft-lbs) *Handlebar front clamp screws.*

NOTE

If installed or installing accessory handlebars follow torque specifications included with that instruction sheet.

- d. Secure two rear screws. Tighten.
Torque: 16.3–20.3 N·m (12–15 ft-lbs) *Handlebar rear clamp screws.*

9. Tighten riser mount screws.
Torque: 40.7–54.3 N·m (30–40 ft-lbs) *Riser mount screws.*

NOTE

If installed or installing accessory risers follow torque specifications included with that instruction sheet.

RETURN TO SERVICE

1. Install right and left switch assemblies, throttle control, clutch lever assembly and front master cylinder assembly. See service manual.



2. Test front brake lever for pressure and operation.
3. Install main fuse. See service manual.

▲ WARNING

Be sure that all lights and switches operate properly before operating motorcycle. Low visibility of rider can result in death or serious injury. (00316a)

4. Turn the ignition/light key switch to IGNITION and test lights and switches for proper operation.
5. Apply brake lever to test stop light lamp.

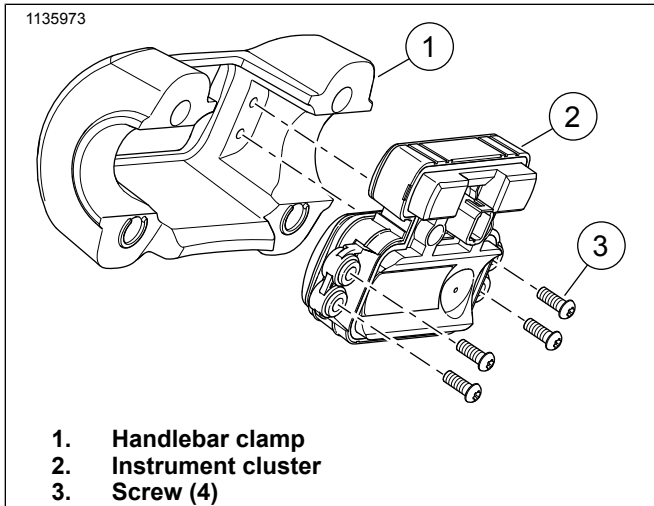


Figure 1. Instrument Cluster

SERVICE PARTS

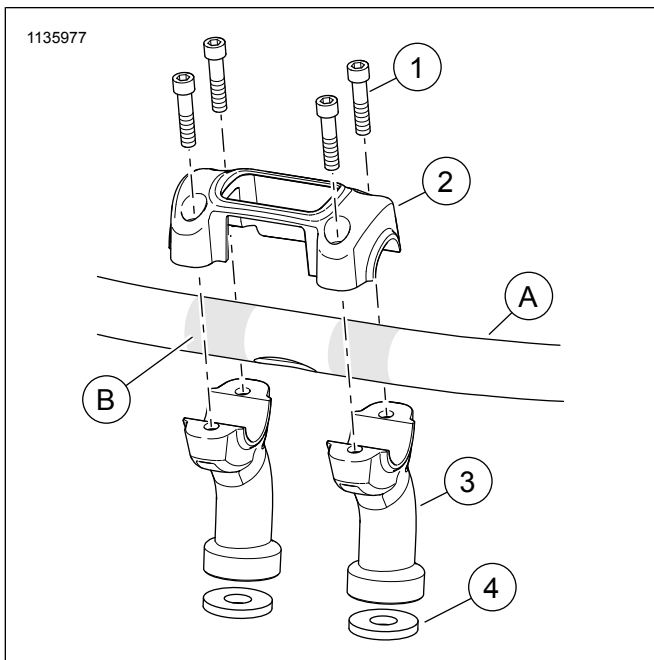


Figure 2. Breakout Riser Kit

Table 1. Service Parts

Kit	Item	Description (Quantity)	Part Number
55900157	1	Screw, socket head (4)	3153
	2	Clamp, handlebar	Not sold separately
	3	Riser, handlebar	Not sold separately
55900157A	1	Screw, socket head (4)	3153
	2	Clamp, handlebar	Not sold separately
	3	Riser, handlebar	Not sold separately
	4	Washer	10600050
55900157B	1	Screw, socket head (4)	10201029
	2	Clamp, handlebar	Not sold separately
	3	Riser, handlebar	Not sold separately
	4	Washer	10600050
55900194	1	Screw, socket head (4)	10201029
	2	Clamp, handlebar, black	Not sold separately
	3	Riser, handlebar, black	Not sold separately
	4	Washer	10600050
Items mentioned in text, but not included in kit			
	A	Handlebar	
	B	Knurled area	