



INSTRUCTIONS

J06651

2019-08-21



LIVEWIRE PREMIUM GRIPS

GENERAL INFORMATION

Table 1. General Information

| Kits | Suggested Tools | Skill Level ⁽¹⁾ | Time |
|----------|-----------------|----------------------------|--------|
| 56100330 | Safety Glasses | | 1 hour |

(1) Only simple tools and techniques required

KIT CONTENTS

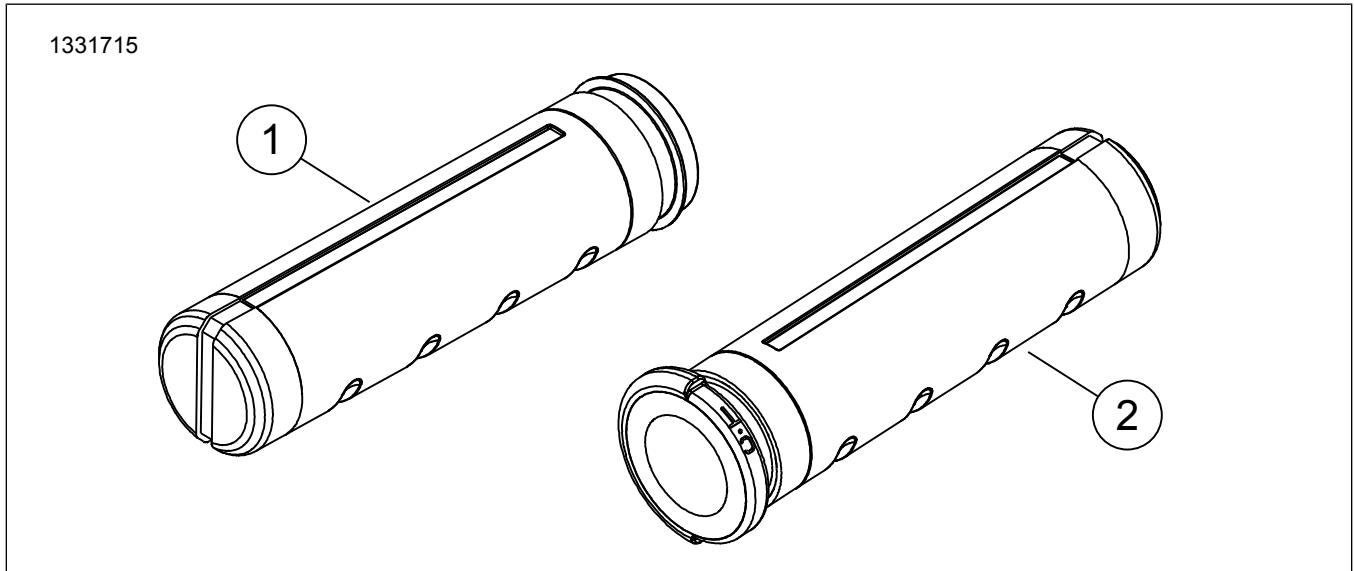


Figure 1. Kit Contents: Handlebar Grip Components (Generic Style Shown)

Table 2. Handlebar Grip Components

| <input checked="" type="checkbox"/> | Item | Qty | Description | Part No. | Notes |
|-------------------------------------|------|-----|------------------|----------|-------|
| <input type="checkbox"/> | 1 | 1 | Grip, right side | 56100349 | |
| <input type="checkbox"/> | 2 | 1 | Grip, left side | 56100354 | |

NOTE

Verify all contents are present in the kit before installing or removing items from vehicle.

Contact Harley-Davidson Customer Support Center at 1-800-258-2464 (U.S. only) or 1-414-343-4056.

GENERAL

Models

For model fitment information, see the P&A Retail Catalog or the Parts and Accessories section of www.harley-davidson.com (English only).

Verify that the most current version of the instruction sheet is used. It is available at: www.harley-davidson.com/isheets

Installation Requirements

⚠ WARNING

Rider and passenger safety depend upon the correct installation of this kit. Use the appropriate service manual procedures. If the procedure is not within your capabilities or you do not have the correct tools, have a Harley-Davidson dealer perform the installation. Improper installation of this kit could result in death or serious injury. (00333b)

PREPARE

1. Remove top cover. See service manual.
2. Remove main fuse. See service manual.

REMOVE

Left

1. See Figure 2. Remove mirror and bracket. See service manual.
2. Remove left handlebar switch housing. See service manual.
3. Remove left hand grip.
 - a. Cut hand grip open with a sharp knife.
 - b. Peel hand grip open.
 - c. Remove grip from handlebar.

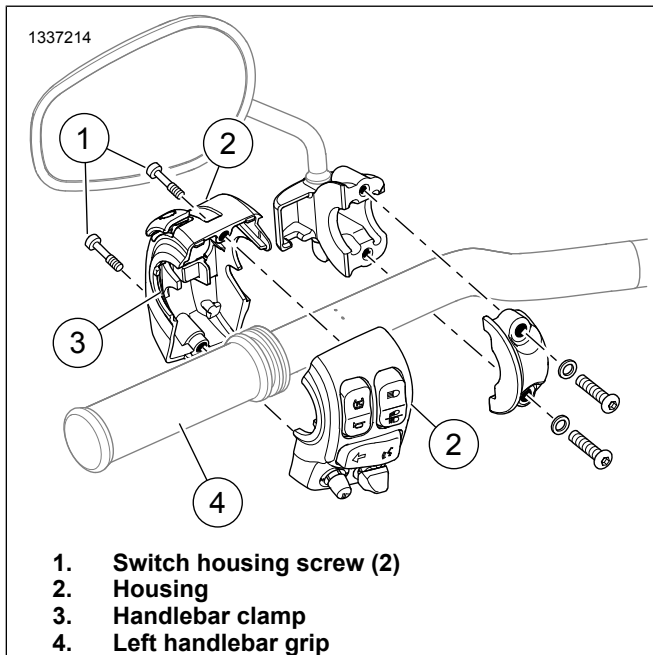


Figure 2. Left Handlebar Switch Housing

Right

4. Detach front brake master cylinder from handlebar. See service manual.
5. Remove right hand switch housing. See service manual.
6. Remove right hand grip.

INSTALL

Left

1. Install left hand grip.
 - a. Prepare left grip end of handlebar with emery cloth.

- b. Clean left grip end of handlebar with acetone.
- c. Position **new** hand grip so the larger diameter portion of flange is at the bottom.
- d. Push grip (4) fully onto handlebar.

2. Install left handlebar switch housing. See service manual.

NOTE

Ensure grip is properly secured between the two halves of the switch housing by verifying there are no gaps between the upper and lower housings. Grip should not move relative to the switch housings when it is pulled or twisted.

3. Install mirror and bracket. See service manual.

Right

4. Install hand grip with cosmetic features properly positioned.
 - a. Rotate to verify that internal splines are engaged with twist grip sensor.
5. Install right hand switch housing. See service manual.
6. Install front brake master cylinder to handlebar. See service manual.

COMPLETE

1. Install main fuse. See service manual.
2. Install top cover.