



INSTRUCTIONS

J06766

2019-08-21



CLAMP KITS

Table 1.

Kits	Suggested Tools	Skill Level ⁽¹⁾	Time
55900227, 55900228, 55900237, 55900238	Safety Glasses, Torque Wrench		3 hours

(1) Tightening to torque value or other moderate tools and techniques required

KIT CONTENTS

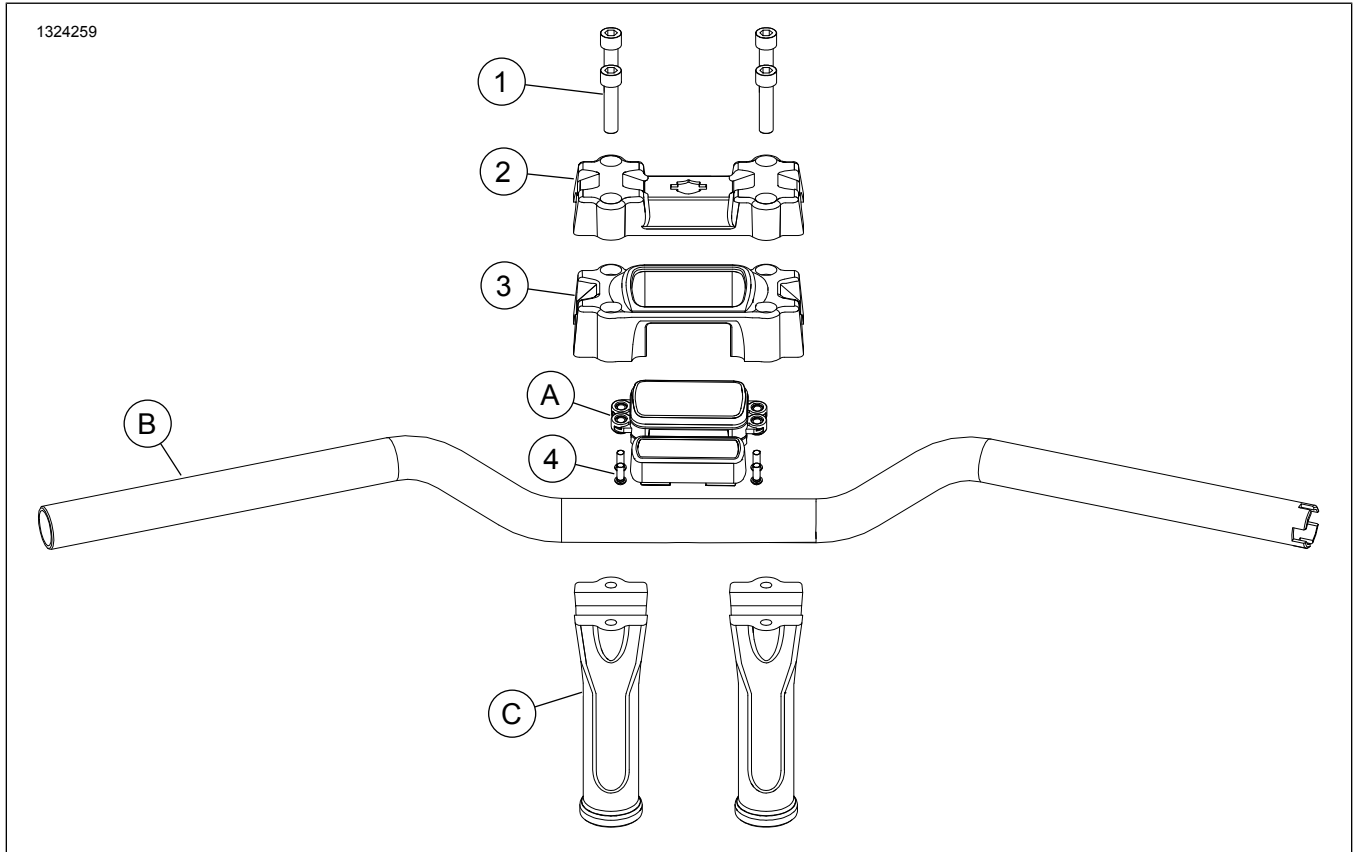


Figure 1. Service Parts List: Clamp Kits

Table 2. Kit Contents: Tall Riser Kits

<input checked="" type="checkbox"/>	Item	Qty	Description	Part No.	Notes
<input type="checkbox"/>	1	4	Screw, sockethead	4816A	Kit 55900227, 55900228
		4	Screw, sockethead	3210A	Kit 55900237, 55900238
<input type="checkbox"/>	2	1	Top clamp 1-inch	Not sold separately	Kit 55900237
		1	Top clamp 1.25-inch	Not sold separately	Kit 55900238
<input type="checkbox"/>	3	1	Gauge clamp 1-inch	Not sold separately	Kit 55900227
		1	Gauge clamp 1.25-inch	Not sold separately	Kit 55900228
<input type="checkbox"/>	4	4	Screw, buttonhead with lock patch	8679	Kit 55900227
Items mentioned in text but not included in kit:					
<input type="checkbox"/>	A	1	Digital instrument module		
<input type="checkbox"/>	B	1	Handlebar		
<input type="checkbox"/>	C	2	Riser		

GENERAL

NOTE

Verify all contents are present in the kit before installing or removing items from vehicle.

Models

Ask a Harley-Davidson dealer or refer to the latest Harley-Davidson Genuine Motor Accessories and Genuine Motor Parts catalog to determine if this riser kit can be installed on your vehicle.

Make sure that you are using the most current version of the instruction sheet which is available at: www.harley-davidson.com/isheets

Contact Harley-Davidson Customer Support Center at 1-800-258-2464 (U.S. only) or 1-414-343-4056.

NOTE

This instruction sheet references service manual information. A service manual for your model motorcycle is required for this installation and is available from a Harley-Davidson dealer.

Installation Requirements

Separate purchase of additional parts or accessories may be required for proper installation of this kit on your model motorcycle. Refer to the latest Harley-Davidson Genuine Motor Accessories and Genuine Motor Parts catalog for a list of required parts or accessories for your model.

▲ WARNING

Rider and passenger safety depend upon the correct installation of this kit. Use the appropriate service manual procedures. If the procedure is not within your capabilities or you do not have the correct tools, have a Harley-Davidson dealer perform the installation. Improper installation of this kit could result in death or serious injury. (00333b)

NOTICE

Improperly aligned handlebars or components can contact the fuel tank when turned to the left or right. Contact with the fuel tank can cause cosmetic damage. (00372b)

TOP CLAMP

1. See Figure 1. Remove and discard OEM screws (1) and OEM upper clamp from risers (C).
2. For gauge clamp (3) digital instrument module installation, see Installation Module.
3. Install clamp kit.
 - a. Center handlebar (B) on risers (C). Verify the knurled areas on outboard side of each riser are equal.
 - b. Adjust handlebar (B) to desired position.
 - c. Install clamp (2 or 3).
 - d. Install front socket head screws (1). Tighten.

Torque: 16–20 N·m (12–15 ft-lbs) *Clamp, front screws*

NOTE

There should be no gap at the front of the risers.

- e. Install rear socket head screws (1). Tighten.

Torque: 16–20 N·m (12–15 ft-lbs) *Clamp, rear screws*
4. Slowly turn the front wheel to the full right fork stop and then the full left fork stop to be sure the handlebar (B) does not contact the fuel tank.
5. If contact with fuel tank occurs:
 - a. Slightly loosen the four clamp screws (1) and center or raise handlebar (B) angle as necessary until proper clearance is obtained.
 - b. Temporarily snug screws (1) but do not fully tighten.
6. Check handlebar (B) clearance.
7. Tighten screws (1) to specification.

INSTRUMENT MODULE

Remove

1. See Figure 2. Remove Instrument Module (IM) (2).
 - a. Remove and discard OEM screws (3).
 - b. Remove IM from upper clamp (1).

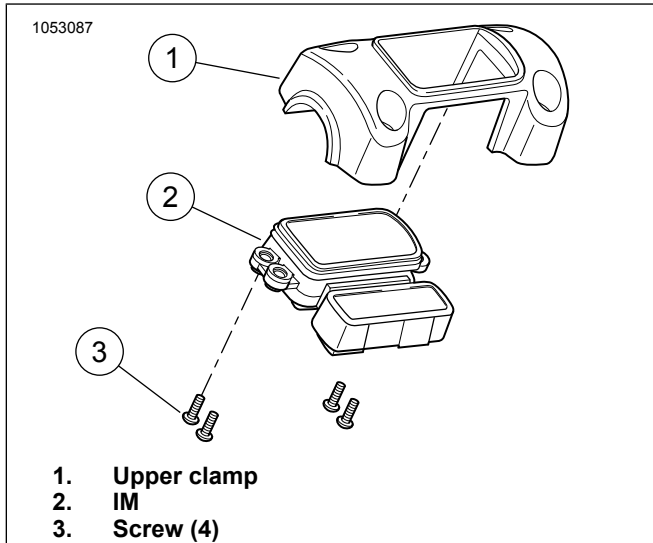


Figure 2. IM: FXBB, FXBR, FXBRS

Install

1.

NOTE

Verify gasket does not twist while installing instrument module.

See Figure 1. Install instrument module.

- a. Align instrument module (A) in gauge clamp (3).
- b. Install screws (4). Tighten.

Torque: 1.4–1.9 N·m (12–17 **in-lbs**) *IM to upper clamp screw*