



# INSTRUCTIONS

J06782

2019-08-21



## H-D PRODIGY FRONT WHEEL

### GENERAL

#### ⚠ WARNING

Install only wheels and installation kits approved for your model motorcycle. Contact a Harley-Davidson dealer to verify fitment. Mismatching wheels and installation kits or installing wheels not approved for your model can cause loss of control, which could result in death or serious injury. (00610c)

### Kit Number

43300673, 43300674

### Models

For model fitment information, see the P&A Retail Catalog or the Parts and Accessories section of [www.harley-davidson.com](http://www.harley-davidson.com) (English only).

#### NOTE

Accessory hub caps are not compatible with this wheel.

### Kit Contents

This kit includes custom wheel only. See Figure 2 and Table 2.

### Installation Requirements

Proper installation of this kit requires the separate purchase of the following parts which are available at a Harley-Davidson dealer:

- Wheel Installation Kit (refer to Table 3 and Table 4 to determine required installation kit.)
- Brake Disc Screws (See Figure 1 and Table 1 )
- Wheel Bearing Remover and Installer (94134-09)  
The following Harley-Davidson Genuine Motor Accessories are recommended for proper maintenance and cleaning:
- Chrome Clean & Shine (93600031 (US) / 93600082 (International))
- Glaze Poly Sealant (93600026 (US) / 93600079 (International))
- Harley® Wheel and Spoke Brush (43078-99)
- Wheel & Tire Cleaner (93600024 (US) / 93600076 (International))
- Harley® Preserve Bare Aluminum Protectant (99845-07)

#### ⚠ WARNING

Rider and passenger safety depend upon the correct installation of this kit. Use the appropriate service manual procedures. If the procedure is not within your capabilities or you do not have the correct tools, have a Harley-Davidson dealer perform the installation. Improper installation of this kit could result in death or serious injury. (00333b)

#### NOTE

This instruction sheet references service manual information. A service manual for this year/model motorcycle is required for this installation. One is available from Harley-Davidson dealer.

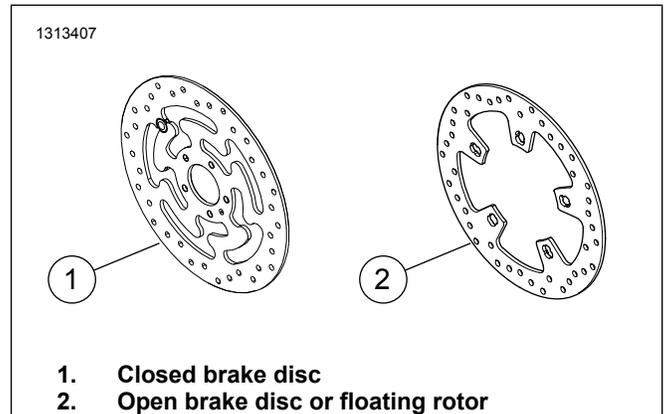


Figure 1. Front Brake Disc Style

Table 1. Front Disc Hardware Fitment

Brake Disc	Hardware (Quantity)	Part Number
Closed disc	Stock disc screw (5)	3655A
	Chrome screw kit (5)	46646-05
Open disc	Front bushing (5)	41500018
	Front spring (5)	41500019
	Front bolt (5)	41500020
	Hardware Kit, chrome	41500095

NOTE: Models equipped with dual front brakes and models being equipped with a wheel with dual brake mounting surfaces require twice as many screws/washers (10 total screws or 2 chrome screw kits if available).

### INSTALLATION

#### NOTE

Install pull thru valve stem (40999-87) included in the installation kit. Discard all other valve stems.

#### NOTICE

Do not re-use brake disc/rotor screws. Re-using these screws can result in torque loss and damage to brake components. (00319c)

1. Remove existing front wheel assembly. See service manual.
  - a. Save axle, axle nut, brake disc and wheel spacers for kit installation.
2. See Figure 2. Install valve stem assembly (L) on wheel. See service manual.

**NOTE**

Install primary bearing first using appropriate service manual and WHEEL BEARING REMOVER/INSTALLER.

Bearing shims provided in the installation kit are not required and can be discarded.

Left side of wheel has DOT markings to identify the primary bearing side.

3. Assemble wheel installation kit components and brake disc(s) to wheel, using appropriate service parts table. See service manual.

4. Install previously removed wheel spacers. See service manual.
5. Install front wheel (1), stock axle and stock axle nut. See service manual.

**MAINTENANCE AND CLEANING**

Wheels must be maintained regularly so that they keep their original shine and luster.

1. Clean heavily-soiled wheel surfaces using Wheel & tire Cleaner, applied with Harley Wheel and Spoke Brush.
2. Thoroughly clean wheel with a good quality cleaner, such as Harley Wheel & Tire Cleaner.
3. After cleaning and polishing, seal finish with a good quality sealer, such as Glaze Poly Sealant.

**SERVICE PARTS**

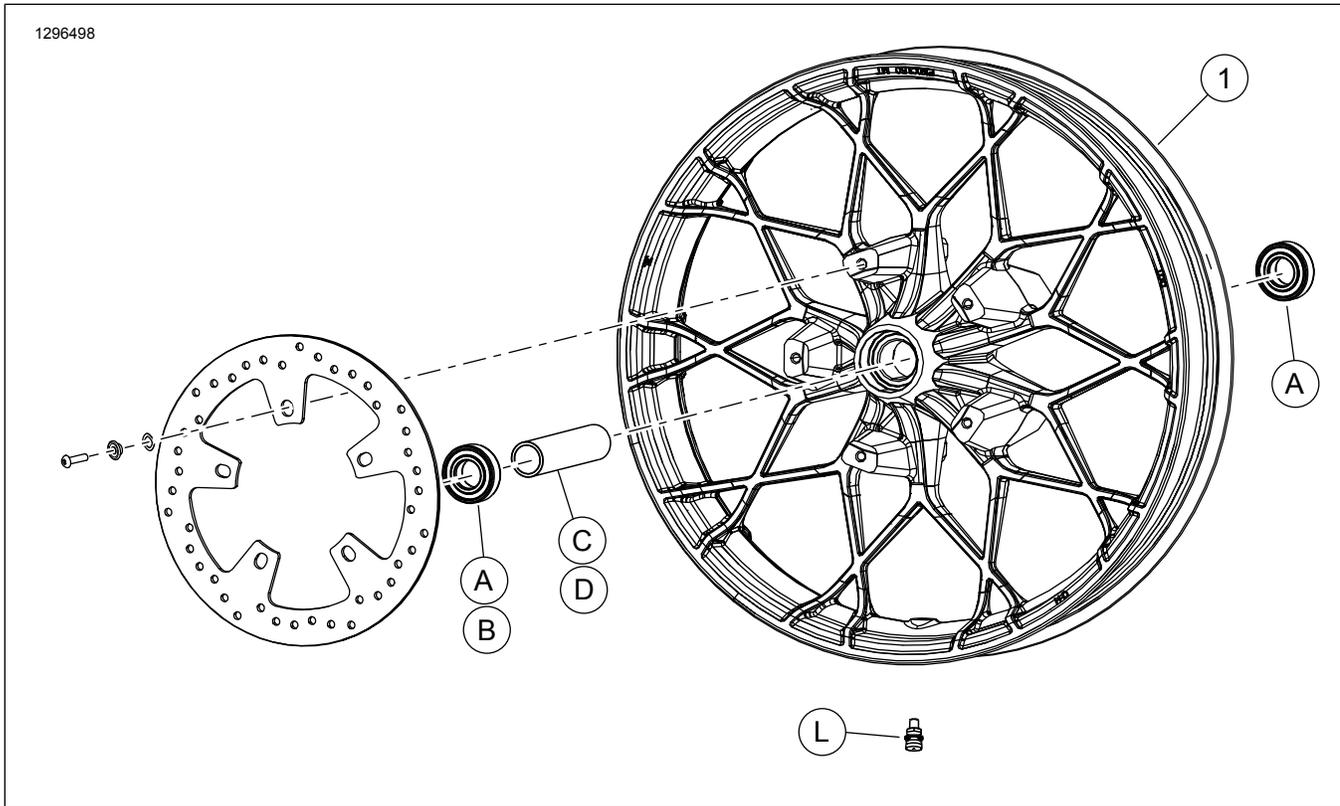


Figure 2. Service Parts: Front Wheel

Table 2. Service Parts and Wheel Kit Contents

Kit	Item	Description (Quantity)	Part Number
43300673, 43300674	1	Wheel	Not Sold Separately

Table 3. FRONT 25 mm Bearing Non-ABS Wheel Installation Kit (41455-08C)

FRONT 25 mm Bearing Non-ABS Wheel Installation Kit (41455-08C)		ITEM (Quantity Used and Description)								
Fitment	Wheel Size	A	C	D	J	K	L	M	N	
2008 Touring; 2009 and later FLHRC (non-ABS) and Trike (non-ABS)	16 x 3.0 in	2	0	1	0	1	*	*	*	
2009 and later Touring (non-ABS)	17 x 3.0 in	2	0	1	0	0	*	*	*	
2008 and later Touring (non-ABS)	18 x 3.5 in	2	0	1	0	**	*	*	*	

**Table 3. FRONT 25 mm Bearing Non-ABS Wheel Installation Kit (41455-08C)**

FRONT 25 mm Bearing Non-ABS Wheel Installation Kit (41455-08C)		ITEM (Quantity Used and Description)								
Fitment	Wheel Size	A	C	D	J	K	L	M	N	
2008 - 2017 Dyna (except FLD, FXDWG, FXDF)	19 x 2.5 in	2	1	0	**	0	*	*	0	
2008 - 2017 VRSCAW, VRSCD, VRSCF, VRSCDX (non-ABS)	19 x 3.0 in	2	1	0	**	0	*	*	0	
2009 and later Touring (non-ABS)	19 x 3.5 in	2	0	1	0	0	*	*	*	
2017 and later FLTRX, FLTRXS, FLTRXSE (non-ABS)	21 x 3.5 in	2	0	1	0	0	*	*	*	
Installation kits are designed to work with many different wheel styles and fitments. Contact a Harley-Davidson dealer to verify that the wheel and installation kits are both designed and approved for the motorcycle they are being installed on. NOTES: * See NOTE above valve installation step in INSTALLATION to determine which valve stem to use for your particular kit. Discard other valve stem(s). ** See NOTES for your wheel kit above the wheel assembly step in INSTALLATION to determine if bearing shim is used for your particular wheel kit and fitment. *** Bearing shim installed under the primary bearing.		A	Bearing, regular (2)				9276B			
		C	Axle sleeve				41748-08			
		D	Axle sleeve				41900-08			
		J	Bearing shim***				41450-08			
		K	Bearing shim***				43903-08			
		L	Valve stem, short				43157-83A			
		M	Valve stem, long				43206-01			
N	Valve stem, pull thru				40999-87					

**Table 4. FRONT 25 mm Bearing ABS Wheel Installation Kit (41454-08B)**

FRONT 25 mm Bearing ABS Wheel Installation Kit (41454-08B)		ITEM (Quantity Used and Description)									
Fitment	Wheel Size	A	B	C	D	J	K	L	M	N	
2008 Touring and 2009 and later FLHRC with ABS	16 x 3.0 in	1	1	0	1	0	1	*	*	0	
2009 and later Touring with ABS	17 x 3.0 in	1	1	0	1	0	0	*	*	*	
2008 and later Touring with ABS	18 x 3.5 in	1	1	0	1	**	**	*	*	*	
2012 - 2017 Dyna with ABS (Except FLD, FXDWG and FXDF)	19 x 2.5 in	1	1	1	0	**	**	*	*	0	
2008 - 2017 VRSCAW, VRSCD, VRSCF and VRSCDX with ABS	19 x 3.0 in	1	1	1	0	**	**	*	*	0	
2009 and later Touring with ABS	19 x 3.5 in	1	1	0	1	0	0	*	*	*	
2017 and later FLTRX, FLTRXS, FLTRXSE with ABS	21 x 3.5 in	1	1	0	1	0	0	*	*	*	
Installation kits are designed to work with many different wheel styles and fitments. Contact a Harley-Davidson dealer to verify that the wheel and installation kits are both designed and approved for the motorcycle they are being installed on. NOTES: * See NOTE above valve installation step in INSTALLATION to determine which valve stem to use for your particular kit. Discard other valve stem(s). ** See NOTES for your wheel kit above the wheel assembly step in INSTALLATION to determine which bearing shim to use for your particular wheel kit and fitment. *** Red side of bearing must be installed toward the wheel. The ABS bearing is primary. **** Bearing shim installed under the primary bearing.		A	Bearing, regular				9276B				
		B	Bearing, ABS***				9252A				
		C	Axle sleeve				41748-08				
		D	Axle sleeve				41900-08				
		J	Bearing shim****				41450-08				
		K	Bearing shim****				43903-08				
		L	Valve stem, short				43157-83A				
M	Valve stem, long				43206-01						
N	Valve stem, pull thru				40999-87						