



INSTRUCTIONS

94100054

2019-01-31



BOOM! AUDIO 6.5 IN FRONT FAIRING SPEAKER KIT

GENERAL

Kit Number

76000949

Models

For model fitment information, see the P&A retail catalog or the Parts and Accessories section of www.harley-davidson.com (English only).

NOTE

The speakers in this kit are for use **ONLY** on specific 2015 and later Harley-Davidson audio systems. See the P&A retail catalog or the Parts and Accessories section of www.harley-davidson.com (English only).

Using these speakers on 2005 or earlier Harley-Davidson audio systems **WILL permanently damage** those systems.

Installation Requirements

⚠ WARNING

Rider and passenger safety depend upon the correct installation of this kit. Use the appropriate service manual procedures. If the procedure is not within your capabilities or you do not have the correct tools, have a Harley-Davidson dealer perform the installation. Improper installation of this kit could result in death or serious injury. (00333b)

NOTE

This instruction sheet references service manual information. A service manual for this year/model motorcycle is required for this installation. One is available from a Harley-Davidson dealer.

Kit Contents

See Figure 3 and Table 1.

PREPARATION

NOTE

For vehicles equipped with security siren: With security fob present, turn ignition switch ON.

⚠ WARNING

To prevent accidental vehicle start-up, which could cause death or serious injury, remove main fuse before proceeding. (00251b)

See the service manual to remove the main fuse. Turn ignition switch OFF.

REMOVAL

1. See the service manual to remove grille covers.
2. See Figure 1. Remove four screws (1) to free the speaker (3) from the enclosure.
3. Disconnect wires (2). Remove the speaker from the enclosure.
4. Repeat steps 1-3 to remove the remaining speaker enclosure.

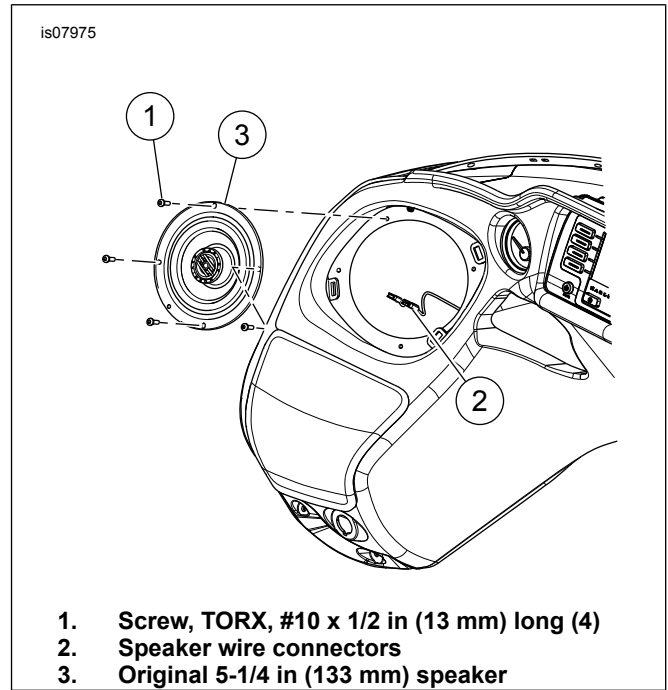


Figure 1. Speaker Enclosure Removal (Left Side Shown)

INSTALLATION

NOTE

See Figure 3. The **new** speaker grilles are side-specific.

1. See Figure 2. Rotate speaker (3) and align notch (4) with tab (5). Notch and tab alignment may be needed to fit speaker into the opening. Rotate the speaker (3) so the tweeter bridge (1) is up and about 45 degrees outboard side as shown in Figure 3.
2. See Figure 2. Attach the speaker wire connectors (2) inside one of the speaker enclosures to the spade terminals on the back of the **new** speaker. Connect the large spade terminal to the large tab. Connect the small spade terminal to the small tab.

- See Figure 3. Verify that hole (B) in the speaker frame mates with the alignment pin (11). Hole is marked "B" on left speaker, "A" on right speaker.
- Install the speaker. Secure with four TORX screws removed earlier. Tighten.
Torque: 1.6–2.3 N·m (14–20 in-lbs)
- Install the grille by putting tab (6) into socket (7). Slide clips (8) into sockets (9).
- Repeat steps for the opposite side.

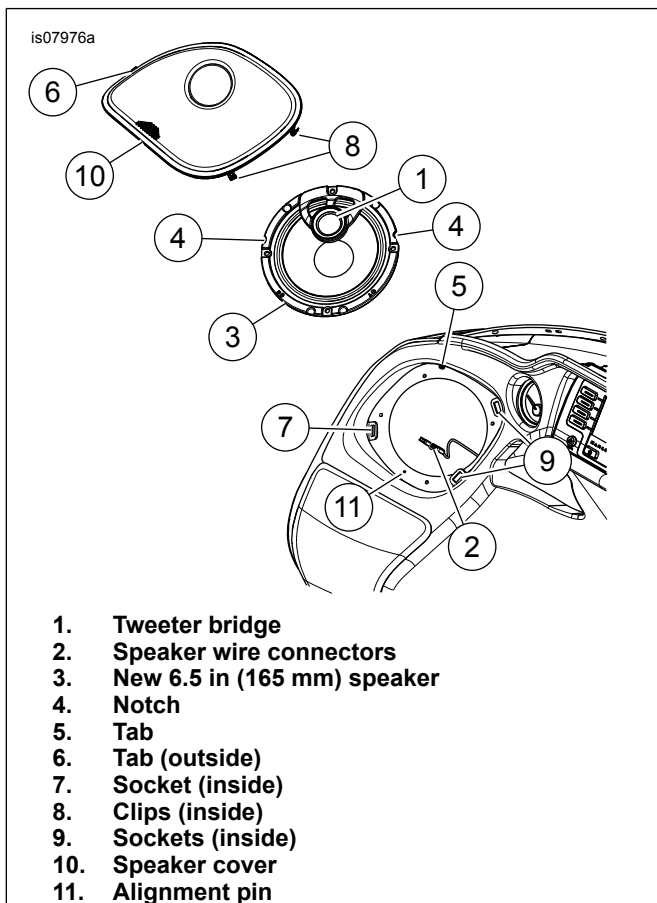


Figure 2. Speaker Enclosure Installation (Left Side Shown)

COMPLETION

NOTE

To prevent possible damage to the sound system, verify that the ignition is OFF **before** installing the main fuse.

- See the service manual to install the main fuse.
- Turn the ignition ON, but do not start the motorcycle.
- Refer to the PREMIUM SOUND SYSTEM section of the owner's manual and turn the radio ON. Make sure that all speakers are working and front/rear fader function is operating correctly. If not, check speaker wiring.
- See the service manual to install the outer fairing and windshield.

⚠ WARNING

After installing seat, pull upward on seat to be sure it is locked in position. While riding, a loose seat can shift causing loss of control, which could result in death or serious injury. (00070b)

- See the service manual to install the seat.

IN USE

Avoid direct contact with speaker grilles by a pressure washer. Damage to speakers can result.

SERVICE PARTS

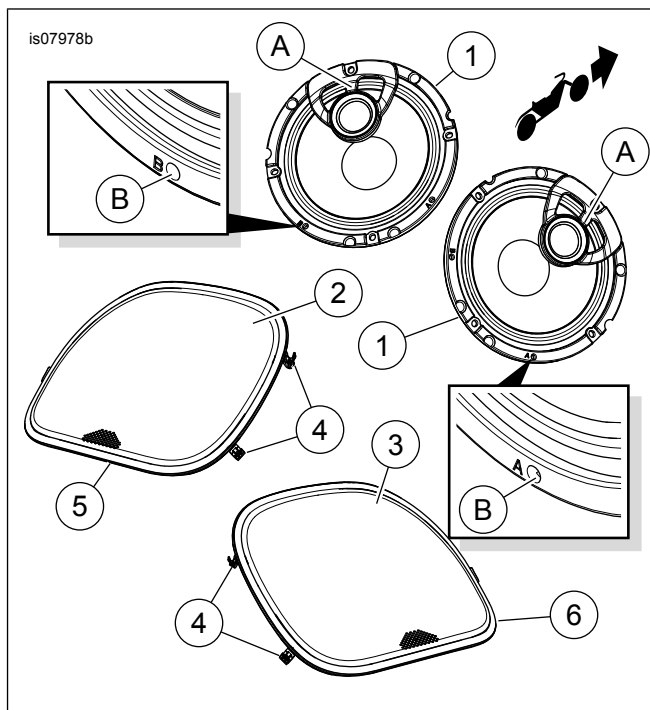


Figure 3. Service Parts, Boom! Audio 6.5 in Front Fairing Speaker Kit

Table 1. Service Parts

Item	Description (Quantity)	Part Number
1	Speaker assembly (2)	76000877
2	Grille, left	76000878
3	Grille, right	76000879
4	Clip (2 per grille)	12200025
5	Gasket, left	76000917
6	Gasket, right	76000918
Item mentioned in text.		
A	Tweeter bridge	
B	Alignment hole in speaker frame Marked "A" (right speaker), "B" (left speaker)	