



INSTRUCTIONS

94100082

2019-02-15



SADDLEBAG KIT

GENERAL INFORMATION

Table 1. General Information

Kits	Suggested Tools	Skill Level ⁽¹⁾	Time
90201558	Safety Glasses, Torque Wrench		1 hour

(1) Tightening to torque value or other moderate tools and techniques required

KIT CONTENTS

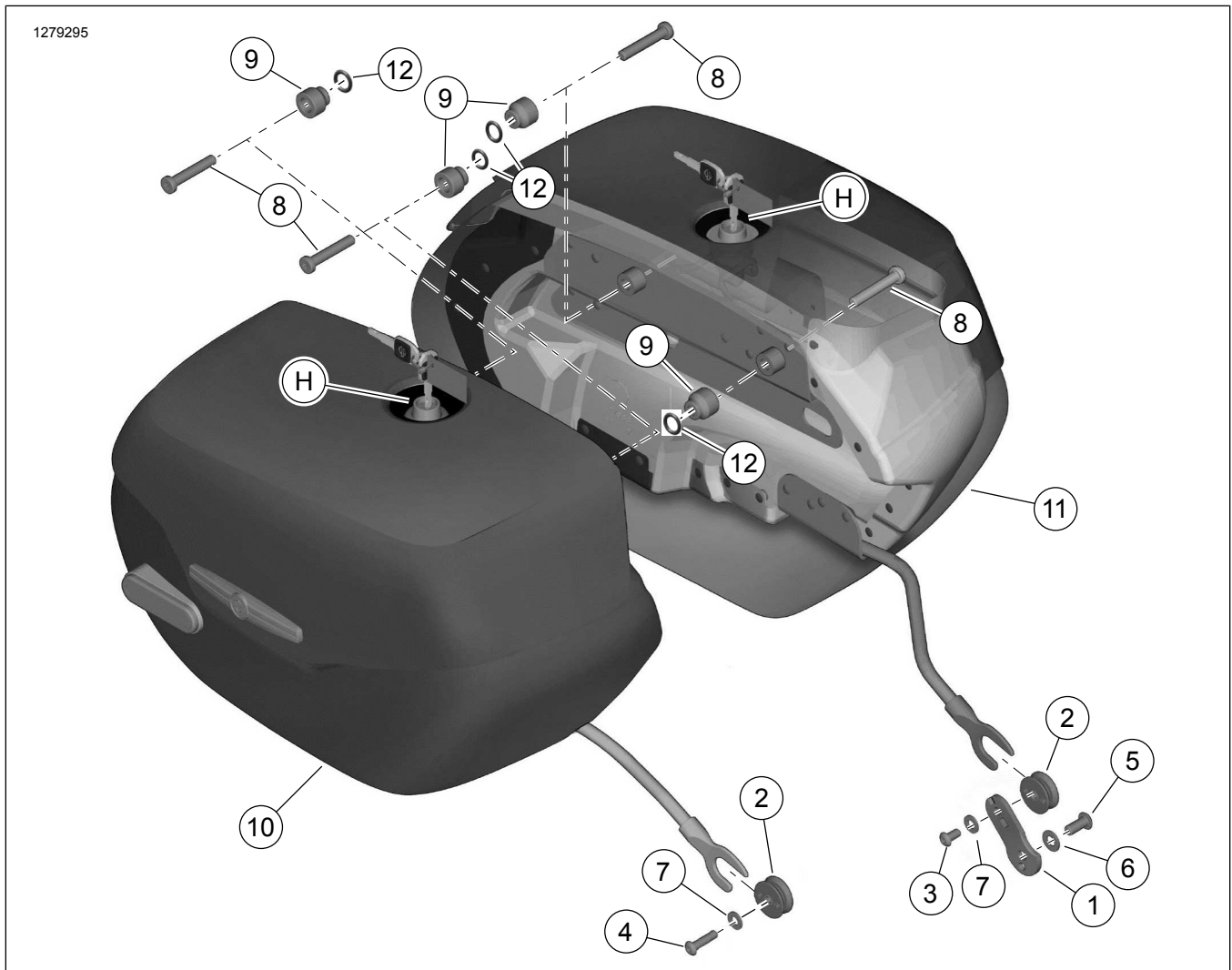


Figure 1. Kit Contents: Saddlebag Kit

Table 2. Kit Contents

<input checked="" type="checkbox"/>	Item	Qty	Description	Part No.	Notes
<input type="checkbox"/>	1		Docking point bracket, lower	90201764	
<input type="checkbox"/>	2		Docking point, lower	90201524	
<input type="checkbox"/>	3		Screw, hex socket button head, lower front docking	3540	10.9–13.6 N·m (96–120 in-lbs)
<input type="checkbox"/>	4		Screw, hex socket button head, lower front docking	4016	10.9–13.6 N·m (96–120 in-lbs)
<input type="checkbox"/>	5		Screw, hex socket button head, left side bracket	4097	51.6–63.8 N·m (38–47 ft-lbs)
<input type="checkbox"/>	6		Washer, plain	6701	
<input type="checkbox"/>	7	2	Washer, plain	6702	
<input type="checkbox"/>	8	4	Screw, Torx socket button head, upper docking point	10200596	28.5–36.6 N·m (21–27 ft-lbs)
<input type="checkbox"/>	9	4	Spacer	90201669	
<input type="checkbox"/>	10		Saddlebag, RH Kit 90201558	90201559	
<input type="checkbox"/>	11		Saddlebag, LH Kit 90201558	90201560	
<input type="checkbox"/>	12		O-ring (4)	11159	
Items mentioned in text, but not included in kit.					
<input checked="" type="checkbox"/>	H		Replacement lock kit, saddlebag (includes set of two keys), Kit 90201558A only	90300137	

NOTE

Verify all contents are present in the kit before installing or removing items from vehicle.

NOTE

This instruction sheet references service manual information. A service manual for your model motorcycle is required for this installation and is available from a Harley-Davidson dealer.

GENERAL

Models

For model fitment information, see the P&A retail catalog or the Parts and Accessories section of www.harley-davidson.com (English only).

Ensure you are using the most current version of the instruction sheet which is available at: www.harley-davidson.com/isheets

Contact Harley-Davidson Customer Support Center at 1-800-258-2464 (U.S. only) or 1-414-343-4056.

Installation Requirements

LOCTITE 243 MEDIUM STRENGTH THREADLOCKER AND SEALANT (BLUE) (99642-97) is required for the proper installation of this kit.

⚠ WARNING

Rider and passenger safety depend upon the correct installation of this kit. Use the appropriate service manual procedures. If the procedure is not within your capabilities or you do not have the correct tools, have a Harley-Davidson dealer perform the installation. Improper installation of this kit could result in death or serious injury. (00333b)

Kit Contents

See Figure 1 and Table 2.

⚠ WARNING

Do not exceed saddlebag weight capacity. Put equal weight in each bag. Too much weight in saddlebags can cause loss of control, which could result in death or serious injury. (00383a)

NOTE

Maximum saddlebag weight capacity is 6.8 kg (15 lb).

PREPARE

⚠ WARNING

To prevent accidental vehicle start-up, which could cause death or serious injury, remove main fuse before proceeding. (00251b)

1. See the service manual and follow the instructions given to:
 - a. Remove the left side cover.
 - b. Remove the main fuse.

- c. Remove the exhaust.

INSTALL

Install Left Side

NOTICE

Check that saddlebag frame(s) are fully seated and tightly secured with mounting hardware. Failure to do so could result in the saddlebags becoming detached and/or damaged. (00171b)

1. See Figure 2. Install left side docking point grommet.
 - a. Position docking point bracket (6) on frame.
 - b. Install washer (3) on screw (2).
 - c. Apply threadlock to screw.
 LOCTITE 243 MEDIUM STRENGTH
 THREADLOCKER AND SEALANT (BLUE)
 (99642-97)
 - d. Install screw. Tighten.
 Torque: 52–64 N·m (38–47 ft-lbs) *Saddlebag left side mounting bracket screw*
 - e. Mate the docking point grommet (1) nubs to the holes on mounting bracket.
 - f. Install washer (5) on screw (4).
 - g. Apply threadlock to screw.
 LOCTITE 243 MEDIUM STRENGTH
 THREADLOCKER AND SEALANT (BLUE)
 (99642-97)
 - h. Install screw. Tighten.
 Torque: 10.9–13.6 N·m (96–120 in-lbs) *Saddlebag left side mounting bracket grommet screw*
2. Install saddlebag.
 - a. Position docking rod (7) on docking point grommet (1).
 - b. Slide screws (10) through holes in saddlebag (11).
 - c. Install spacers (9) and O-rings (8).
 - d. Apply threadlock to screws (10).
 LOCTITE 243 MEDIUM STRENGTH
 THREADLOCKER AND SEALANT (BLUE)
 (99642-97)
 - e. Align screws on saddlebag with holes on fender support. Install and tighten.
 Torque: 28–37 N·m (21–27 ft-lbs) *Saddlebag screw*

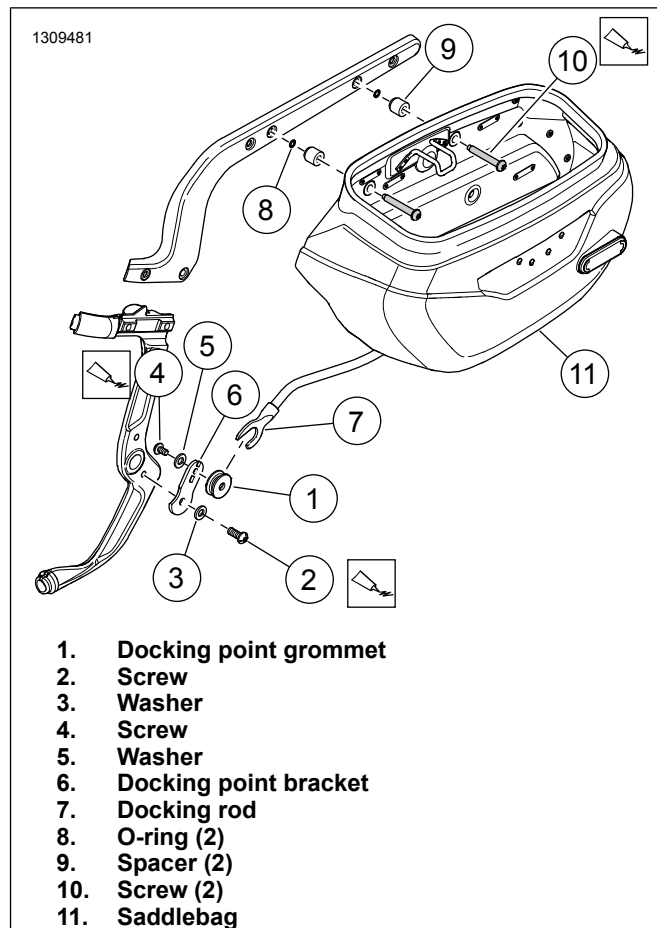


Figure 2. Saddlebag Mounting (left-side)

Install Right Side

1. See Figure 3. Install right side docking point grommet.
 - a. Mate the docking point grommet (4) nubs to the holes on exhaust support bracket (1).
 - b. Install washer (3) on screw (2).
 - c. Apply threadlock to screw.
 LOCTITE 243 MEDIUM STRENGTH
 THREADLOCKER AND SEALANT (BLUE)
 (99642-97)
 - d. Install screw. Tighten.
 Torque: 10.9–13.6 N·m (96–120 in-lbs) *Saddlebag right side docking point grommet screw*
2. Complete install of right side by following step 2 in Install Left Side.

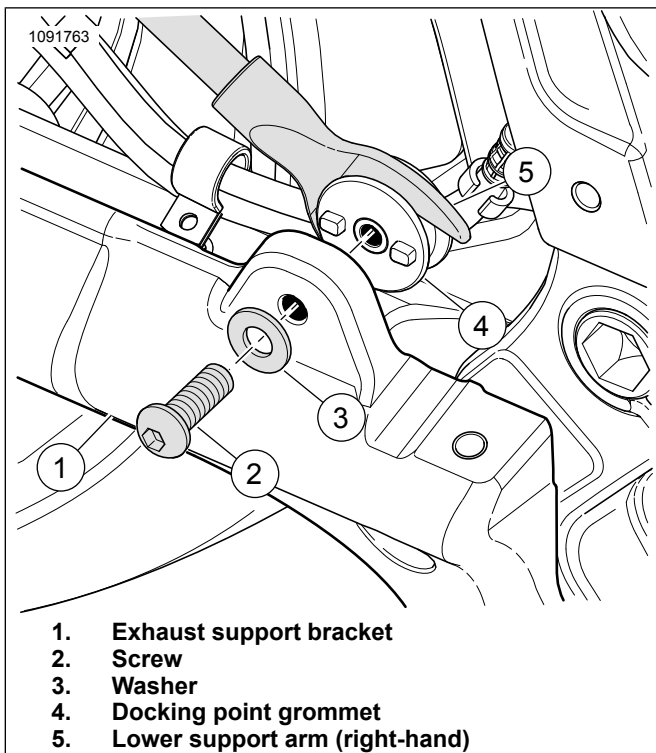


Figure 3. Docking Mount (right-side)

COMPLETE

NOTE

Verify that the ignition/light key switch is in the OFF position before installing the main fuse.

1. See the service manual and follow the instructions given to:
 - a. Install the exhaust.
 - b. Install the main fuse.
 - c. Install the left side cover.

MAINTENANCE

Docking Point Screws

NOTICE

Failure to tighten hardware to the specified torque could result in damage to the installed accessory. (00508b)

1. After 500 miles of on the road use with saddlebags installed, it is necessary to check the torque on the docking point mounting screws. Check to make sure the proper torque is maintained and tighten screws if necessary. Tighten.
 - a. Lower front docking point screws.
Torque: 10.9–13.6 N·m (96–120 **in-lbs**)
 - b. Saddlebag left side bracket screw.
Torque: 51.6–63.8 N·m (38–47 ft-lbs)

- c. Upper docking point screws.
Torque: 28.5–36.6 N·m (21–27 ft-lbs)

Saddlebag Care

Apply the Harley-Davidson Genuine Leather Dressing included with the saddlebag according to the instructions in the leather care kit. Additional jars are available from a Harley-Davidson dealer (HD Part Number 9826191V).