



# INSTRUCTIONS

J06439

2020-01-14



## FORWARD CONTROL BRACKET KIT

### GENERAL

#### Kit Number

50500693, 50501640

#### Models

For model fitment information, please see the P&A Retail Catalog or the Parts and Accessories section of [www.harley-davidson.com](http://www.harley-davidson.com) (English only).

#### ▲ WARNING

Rider and passenger safety depend upon the correct installation of this kit. Use the appropriate service manual procedures. If the procedure is not within your capabilities or you do not have the correct tools, have a Harley-Davidson dealer perform the installation. Improper installation of this kit could result in death or serious injury. (00333b)

#### NOTE

This instruction sheet references Service Manual information. A Service Manual for your model motorcycle is available from a Harley-Davidson Dealer.

### KIT CONTENTS

See Figure 5 and Table 1.

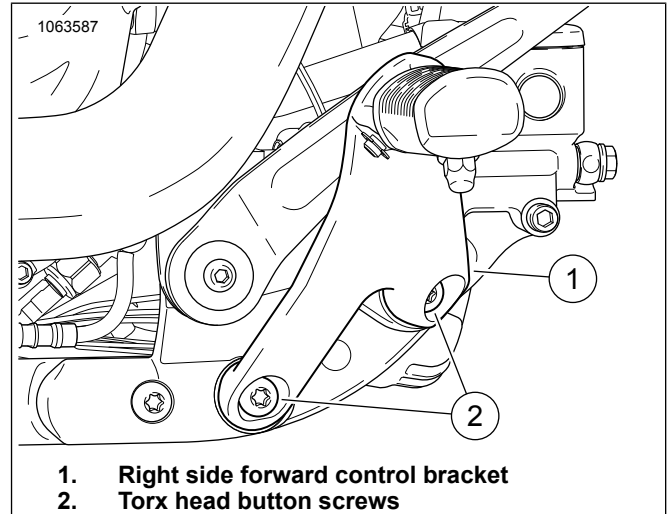
### REMOVAL

Remove right side forward control bracket and left side forward control bracket. See service manual.

### INSTALLATION

#### RIGHT SIDE

1. See Figure 1. Position right side forward control bracket (1).



1. Right side forward control bracket
2. Torx head button screws

Figure 1. Right Side Forward Control

2. Install two 3/8-16 x 1.625 torx head button screws (2). Tighten.  
Torque: 54.2–61 N·m (40–45 ft·lbs)
3. See Figure 3. Insert short leg of torsion spring (1) into hole in footpeg (3). Align long leg of torsion spring (1) to hole in footpeg mount and insert. Rotate footpeg (3) into position in clevis and insert pin (4) through clevis, footpeg (3) and spring (1). Install retaining clip (2).

#### NOTE

See Figure 2. When performing the next step, verify that the spring is positioned inside of the footpeg.

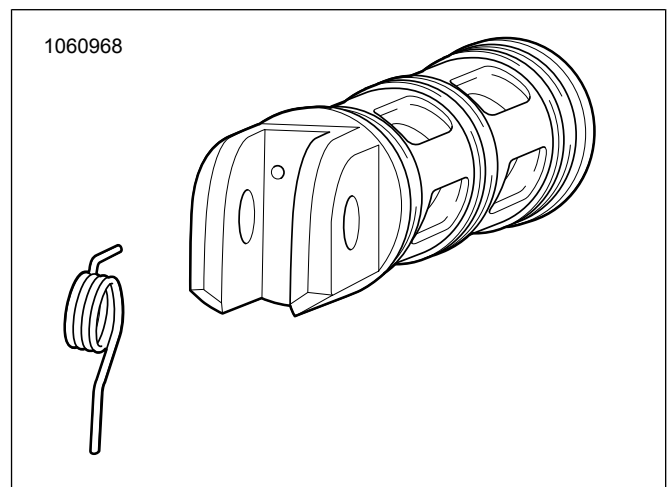
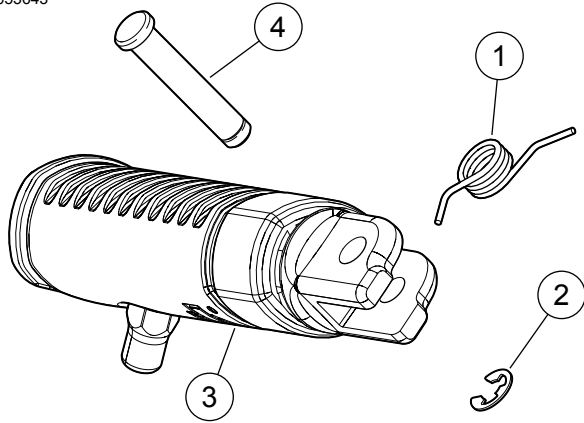


Figure 2. Torsion Spring

1053643



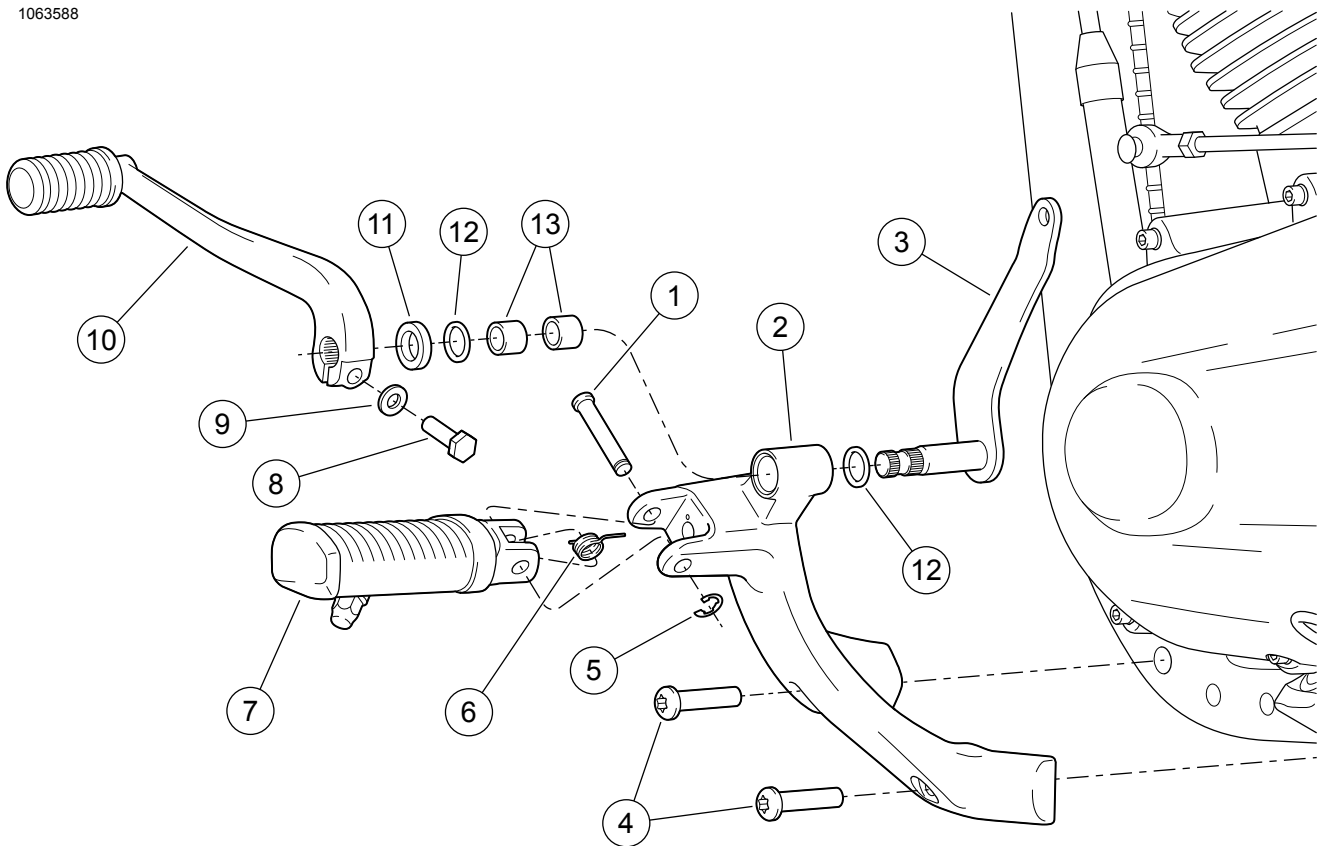
- 1. Torsion spring
- 2. Retaining clip
- 3. Footpeg assembly
- 4. Pin

Figure 3. Rider Footpeg Torsion Spring Installation

LEFT SIDE

- 1. See Figure 4. Position left side forward control bracket (1).

1063588



- 1. Pin
- 2. Left side forward control bracket
- 3. Shifter lever
- 4. Torx head button screws
- 5. Retaining clip
- 6. Torsion spring
- 7. Footpeg assembly
- 8. Pinch bolt
- 9. Washer (if equipped)
- 10. Shift lever assembly
- 11. Spacer
- 12. O-rings
- 13. Bearings (part of left side forward control bracket)

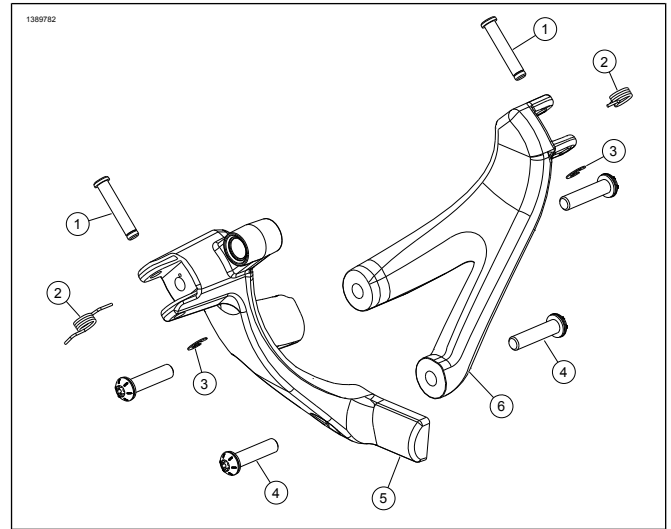
Figure 4. LEFT SIDE FORWARD CONTROL

2. Install two 3/8-16 x 1.625 torx head button screws (4). Tighten.  
Torque: 54.2–61 N·m (40–45 ft-lbs)
3. Verify inner o-ring (12) is in place on shifter lever (3) and position shifter lever in left side forward control bracket (2).
4. Install outer o-ring (12) and spacer (11) on shifter lever (3).
5. Install shifter assembly (10), install pinch bolt (8) and washer (9). Tighten.  
Torque: 12.2–16.2 N·m (9–12 ft-lbs)
6. See Figure 4. Insert short leg of torsion spring (6) into hole in footpeg (7). Align long leg of torsion spring (6) to hole in footpeg mount and insert. Rotate footpeg (7) into position in clevis and insert pin (1) through clevis, footpeg (7) and spring (6). Install retaining clip (5).

**NOTE**

See Figure 2. When performing the next step, verify that the spring is positioned inside of the footpeg.

## SERVICE PARTS



**Figure 5. Service Parts: Forward Control Bracket Kit**

**Table 1. Service Parts: Forward Control Bracket Kit**

| Item | Description (Quantity)                      | Part Number |
|------|---|-------------|
| 1    | Clevis pin (2)                              | 50500702    |
| 2    | Spring (2)                                  | 50500703    |
| 3    | E-clip (2)                                  | 50500701    |
| 4    | Screw, Torx head button, chrome (4)         | 10200536    |
| 5    | Bracket, left side forward control, chrome  | 33600212    |
|      | Bracket, left side forward control, black   | 33600134    |
| 6    | Bracket, right side forward control, chrome | 50500913    |
|      | Bracket, right side forward control, black  | 50500746    |