



INSTRUCTIONS

J06596

2019-10-03



FOOT SHIFT LEVER KIT

GENERAL

Kit Number

33600243, 33895-82E, 33600301, 33600292

Models

For model fitment information, see the P&A Retail Catalog or the Parts and Accessories section of www.harley-davidson.com (English only).

Installation Requirements

⚠ WARNING

Rider and passenger safety depend upon the correct installation of this kit. Use the appropriate service manual procedures. If the procedure is not within your capabilities or you do not have the correct tools, have a Harley-Davidson dealer perform the installation. Improper installation of this kit could result in death or serious injury. (00333b)

Kit Contents

See Figure 1 and Table 1.

INSTALL

NOTE

This kit replaces Original Equipment (OE) foot shift levers having 5/16 inch socket head pinch screws or 1/4 inch pinch screws and nuts. When the toe and heel levers are positioned correctly, the pinch screw head will be installed from the top on both levers.

Toe Shifter Kits

- Remove the original shift lever. See the service manual.
 - Note the orientation of the lever before removing.
- See Figure 2. Transfer OE shifter peg (A) to **new** lever. See service manual.
- Install shift lever (3) aligning to same angle noted before removal.
 - Verify that shift lever has proper clearance to lower fairing. See service manual.
 - Verify that your foot fits between bottom of shifter peg and footpeg/floorboard.
- Install screw (2).

- Install locknut (1). Tighten to torque value shown in service manual.
- Check to make sure shift levers (3) have enough clearance for proper operation.

Heel/Toe Shifter Kits

NOTE

For heel/toe application:

- Requires purchase of two desired kits.*
 - Vehicles equipped with one spline gear shift lever requires installation of a two spline gear shift lever.*
- Ensure proper gear shift lever (4) is installed.
 - Install toe shift lever (3) onto splined shaft.
 - Ensure angle of lever is the same as OE toe shift lever removed earlier.
 - Ensure you have adequate clearance to properly actuate shift lever.
 - Once toe shift lever (3) is assembled in proper orientation, install screw (2) from top and nut (1) from bottom.
 - Tighten to torque value shown in service manual.
 - Install heel shifter lever (3).
 - Ensure you have adequate clearance to properly actuate shift lever.
 - Once heel shifter lever (3) is assembled in proper orientation, install screw (2) from top and nut (1) from bottom.
 - Tighten to torque value shown in service manual.



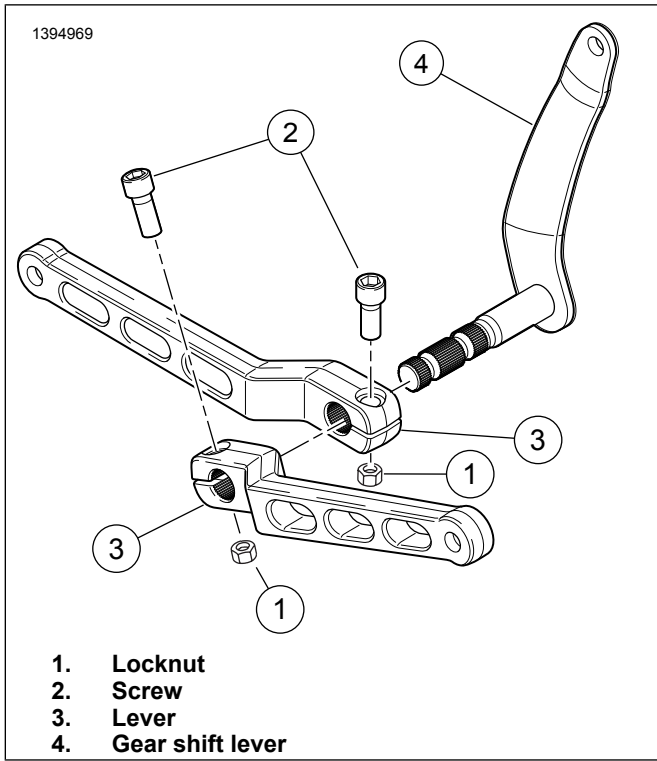


Figure 1. Heel/Toe Application

SERVICE PARTS

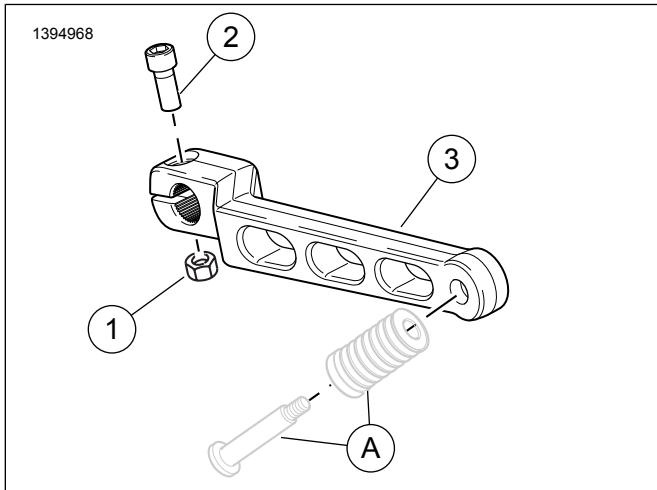


Figure 2. Service Parts: Foot Shift Lever Kit

Table 1. Service Parts Table

Item	Description (Quantity)	Part Number
1	Locknut	7686
2	Screw	10200350
3	Lever	Not sold separately
Items mentioned in text but not included in kit:		
A	Shifter peg	