



INSTRUCTIONS

J03299

2020-01-14



STREAMLINER SHIFTER PEG KIT

GENERAL

Kit Number

34967-04, 33600313

Models

For model fitment information, see the P&A retail catalog or the Parts and Accessories section of www.harley-davidson.com (English only).

NOTE

This instruction sheet refers to service manual information. A service manual for this year/model motorcycle is required for this installation. One is available from a Harley-Davidson dealer.

NOTE

See Service Parts Illustration for kit contents. The shifter peg rubber tread and tread supports (large and small) will be assembled into the shifter peg casting. To enhance the Streamliner shifter pattern, orient the pegs as shown in the Service Parts Illustration.

Kit Contents

See Figure 1 and Table 1.

INSTALLATION

NOTE

If the button head cap screw must be removed after installation of the assembly, apply LOCTITE 243 MEDIUM STRENGTH THREADLOCKER AND SEALANT (BLUE) (99642-97) to threads before installing screw.

⚠ WARNING

Be sure to follow manufacturer's instructions when using the UltraTorch UT-100 or any other radiant heating device. Failure to follow manufacturer's instructions can cause a fire, which could result in death or serious injury. (00335a)

NOTE

If needed, apply heat with a heat gun to shift lever treads and treads on shifter peg to aid peg removal.

- Avoid directing heat toward any fuel system component. Extreme heat can cause fuel ignition/explosion resulting in death or serious injury.
- Avoid directing heat toward any electrical system component other than the connectors on which heat shrink work is being performed.
- Always keep hands away from tool tip area and heat shrink attachment.

1. Remove existing shifter peg.

2.

NOTE

Screw (6) has a lock patch to prevent loosening.

Install shifter peg assembly.

- a. Install assembly to shift lever.
- b. Install button head cap screw (6).
- c. Tighten screw (6).

Torque: 16–19 N·m (12–14 ft-lbs) *Button head cap screw*

SERVICE PARTS

1399109

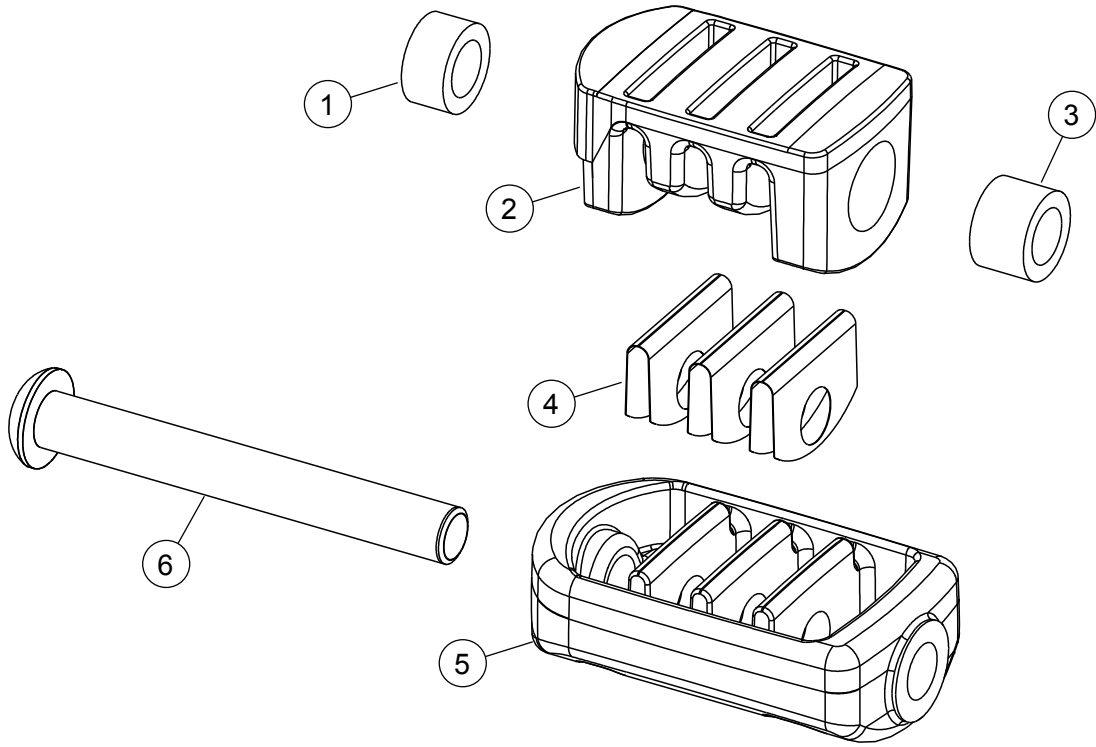


Figure 1. Service Parts: Streamliner Shifter Peg Kit

Table 1. Service Parts Table

Item	Description (Quantity)	Part Number
1	Tread support, small	33953-05
2	Tread, shifter peg	34970-04
3	Tread support, large	33954-05
4	Insert, stainless	Not Sold Separately
5	Casting, Streamliner shifter peg	Not Sold Separately
6	Screw, button head cap, black	10201037
	Screw, button head cap, chrome	4373