



INSTRUCTIONS

J06403

2022-02-14



HEEL/TOE SHIFT LEVER KITS

GENERAL

Kit Number

Heel/Toe Shift Lever Kits:

33600164, 33600165, 33600166

Toe Shift Lever Only Kits:

33600167, 33600168, 33600169

Heel Shift Lever Only Kit:

33600224, 33600314

Models

For model fitment information, see the P&A Retail Catalog or the Parts and Accessories section of www.harley-davidson.com (English only).

Installation Requirements

Heel and toe shift pegs may be required for proper installation. Refer to the P&A Retail Catalog or the Parts and Accessories section of www.harley-davidson.com (English only)

⚠ WARNING

Rider and passenger safety depend upon the correct installation of this kit. Use the appropriate service manual procedures. If the procedure is not within your capabilities or you do not have the correct tools, have a Harley-Davidson dealer perform the installation. Improper installation of this kit could result in death or serious injury. (00333b)

NOTE

This instruction sheet references service manual information. A service manual for your model motorcycle is required for this installation and is available from a Harley-Davidson Dealer.

Kit Contents

See Figure 2, Figure 3, Figure 4 and Table 1.

REMOVAL OF STOCK GEAR SHIFT LEVER

Remove Stock Gear Shift Lever (for heel shifter ONLY)

The gear shift lever supplied in the heel/toe and heel shift only kits is supplied due to the stock gear shift lever splined shaft only accommodating one shift lever. Refer to the service manual for proper removal of the stock gear shift lever, and the installation of the gear shift lever provided in your kit.

Take note of the angle at which the toe shifter is installed. This will provide a baseline for installing the new toe shifter.

Toe Shifter Kits

1. See Figure 3. Remove Original Equipment (OE) shift lever. See service manual.
2. Install toe shifter lever (1) onto splined shaft, ensuring angle of lever is same as stock toe shift lever removed earlier.
3. Once toe shift lever is assembled in proper orientation, install a socket head cap screw (4), and tighten to value listed in service manual.

Heel Shifter / Heel-Toe Shifter Kits

1. See Figure 1. Remove OE toe shift lever (4) from gear shift spline shaft (3).
2. Remove OE gear shift lever (3) from shifter rod (2).
3. Remove OE gear shift lever (3) from mounting bracket (5). Retain O-ring and plastic spacer.
4. Remove two screws (6) from rider footboard bracket on frame. Retain screws.
5. See Figure 2. Install OE O-rings and plastic spacer to **new** gear shift lever (1).
6. See Figure 1. Install **new** gear shift lever (3) to mounting bracket (5).
7. Apply threadlocker to screws (6) removed earlier.
Consumable: LOCTITE 243 MEDIUM STRENGTH THREADLOCKER AND SEALANT (BLUE) (99642-97)
8. Torque screws (6). Tighten.
Torque: 54–61 N·m (40–45 ft-lbs)
9. Install **new** gear shift lever (3) to shifter rod (2). Tighten screw (6). See service manual.
10. See Figure 2. Install toe shift lever (2) to splined shaft at desired angle.
 - a. Torque screw (4). Tighten.
Torque: 12.2–16.3 N·m (9–12 ft-lbs)
11. See Figure 2. Install heel shift lever (3) to splined shaft at desired angle.
 - a. Torque screw (4). Tighten.
Torque: 12.2–16.3 N·m (9–12 ft-lbs)



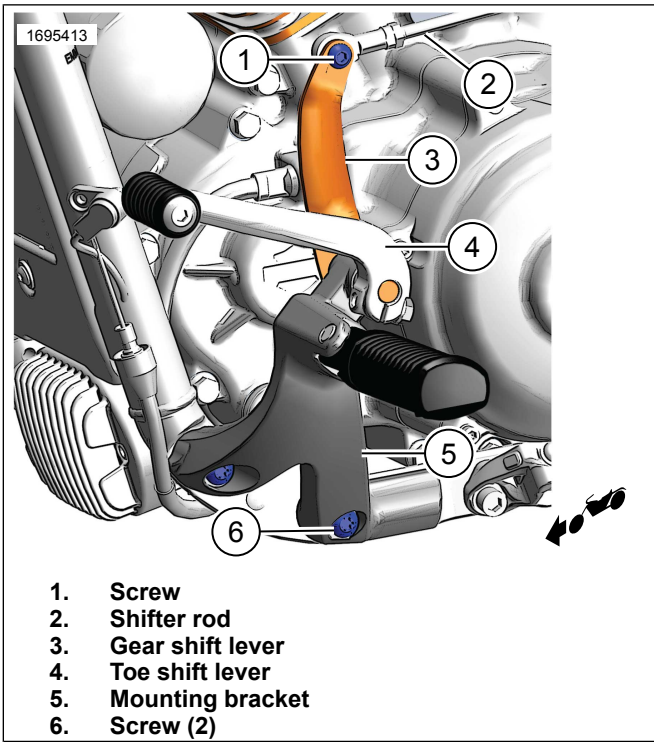


Figure 1. Foot Support

SERVICE PARTS

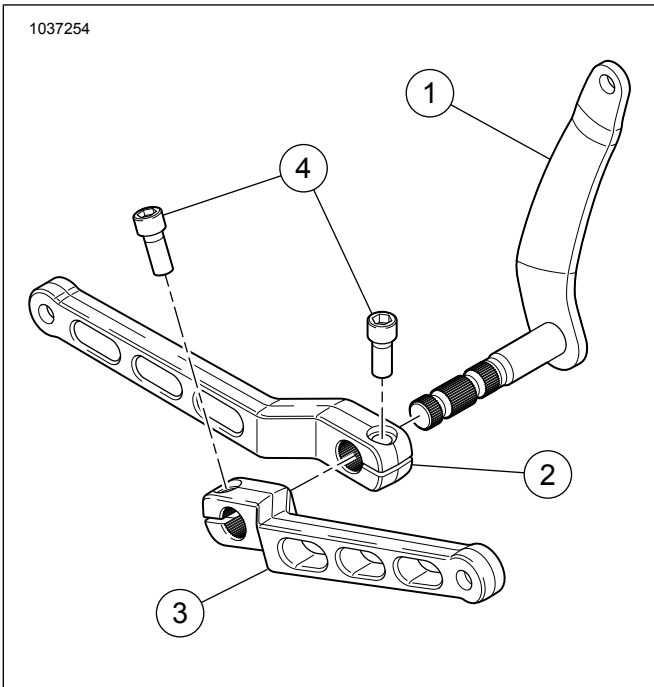


Figure 2. Heel/Toe Shift Kit

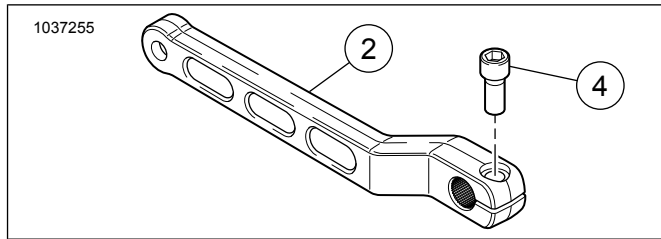


Figure 3. Toe Shift Kit

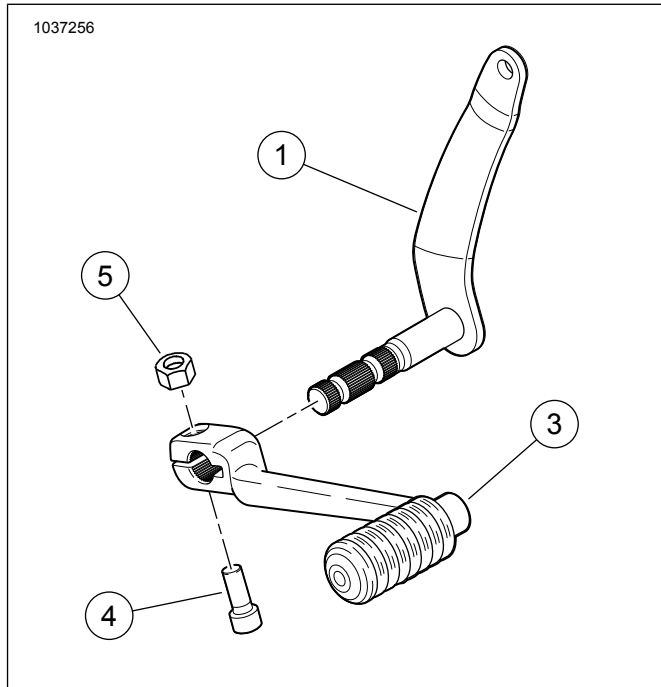


Figure 4. Heel Shift Kit

Table 1. Service Parts Table

Kit	Item	Description (Quantity)	Part Number
Kit 33600164	1	Gear shift lever	Not sold separately
	2	Shift lever, Toe, Billet style (chrome)	Not sold separately
	3	Shift lever, Heel, Billet style (chrome)	Not sold separately
	4	Socket head cap screw (2)	94332-91T

Table 1. Service Parts Table

Kit	Item	Description (Quantity)	Part Number
Kit 33600165	1	Gear shift lever	Not sold separately
	2	Shift lever, Toe, Billet style (black)	Not sold separately
	3	Shift lever, Heel, Billet style (black)	Not sold separately
	4	Socket head cap screw (2)	94332-91T
Kit 33600166	1	Gear shift lever	Not sold separately
	2	Shift lever, Toe, Billet style (edge cut)	Not sold separately
	3	Shift lever, Heel, Billet style (edge cut)	Not sold separately
	4	Socket head cap screw (2)	94332-91T
Kit 33600167	2	Shift lever, Toe, Billet style (chrome)	Not sold separately
	4	Socket head cap screw	94332-91T
Kit 33600168	2	Shift lever, Toe, Billet style (black)	Not sold separately
	4	Socket head cap screw	94332-91T
Kit 33600169	2	Shift lever, Toe, Billet style (edge cut)	Not sold separately
	4	Socket head cap screw	94332-91T
Kits 33600224, 33600314	1	Gear shift lever	Not sold separately
	3	Shift lever, Heel	Not sold separately
	4	Socket head cap screw	10200350
	5	Lock Nut	7686