



INSTRUCTIONS

J05807

2021-01-14



DETACHABLE TOUR-PAK LUGGAGE CONVERSION KIT, 2014 AND LATER FL TOURING MODELS

GENERAL INFORMATION

Table 1.

| Kits | Suggested Tools | Skill Level | Time |
|----------------------|---|-------------|------|
| 53000291C, 53000567B | Safety Glasses, Torque Wrench, Grease pencil, Isopropyl alcohol | | |

KIT CONTENTS

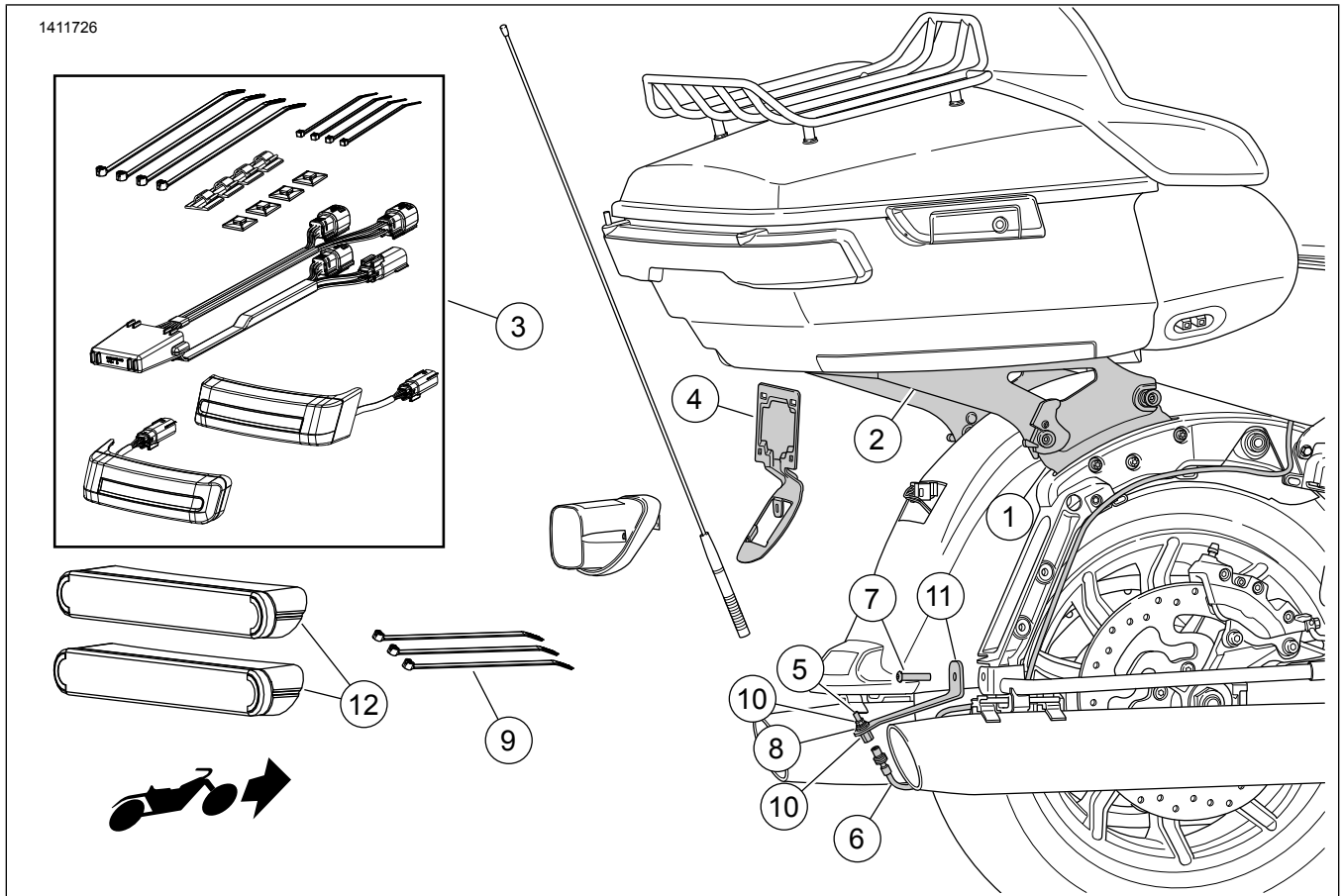


Figure 1. Kit Contents: Detachable Tour-Pak Mounting Rack

Table 2. Kit Contents

| <input checked="" type="checkbox"/> | Item | Qty | Description | Part No. | Notes |
|-------------------------------------|------|-----|--|----------------------|--------------------------------|
| <input type="checkbox"/> | 1 | 1 | Docking Hardware Kit | 52300353 52300354 | Kit 53000291C Kit 53000567B |
| <input type="checkbox"/> | 2 | 1 | Detach Kit, Tour-Pak Rack | 53000221 53000459 | Kit 53000291C Kit 53000567B |
| <input type="checkbox"/> | 3 | 1 | Auxiliary Tail Lamp Kit | 67801023 | |
| <input type="checkbox"/> | 4 | 1 | Bracket, license plate | 67900167 67900362 | Kit 53000291C Kit 53000567B |
| <input type="checkbox"/> | 5 | 1 | Joint assembly | 76354-00 | |
| <input type="checkbox"/> | 6 | 1 | Cable extension, AM/FM antenna | 69200295 | |
| <input type="checkbox"/> | 7 | 1 | Cap screw, button head, 5/16-18 x 3.8 mm (1.5 in) long | 3140 | 40.7–50.1 N·m (30–37 ft-lbs) |
| <input type="checkbox"/> | 8 | 1 | Lockwasher | 7129 | |
| <input type="checkbox"/> | 9 | 3 | Cable strap | 10006 | |
| <input type="checkbox"/> | 10 | 2 | Nut | 76353-00 | |
| <input type="checkbox"/> | 11 | 1 | Bracket, lower antenna relocation | 76000309 | |
| <input type="checkbox"/> | 12 | 2 | Reflector | 67900256 | |

NOTE

Verify all contents are present in the kit before installing or removing items from vehicle.

GENERAL

Models

For model fitment information, see the P&A retail catalog or the Parts and Accessories section of www.harley-davidson.com (English only).

Ensure you are using the most current version of the instruction sheet which is available at: www.harley-davidson.com/isheets

Installation Requirements

Models with CB require a CB Antenna Relocation Kit (Part No. 76000308).

Separate purchase and installation of more parts or accessories could be required for proper installation of this kit on your model motorcycle. See the P&A retail catalog or the Parts and Accessories section of www.harley-davidson.com (English only) for required parts or accessories.

▲ WARNING

Rider and passenger safety depend upon the correct installation of this kit. Use the appropriate service manual procedures. If the procedure is not within your capabilities or you do not have the correct tools, have a Harley-Davidson dealer perform the installation. Improper installation of this kit could result in death or serious injury. (00333b)

PREPARE

1. Remove seat. See service manual.
2. Remove saddlebags. See service manual.
3. Remove left side cover. See service manual.

▲ WARNING

To prevent accidental vehicle start-up, which could cause death or serious injury, remove main fuse before proceeding. (00251b)

4. **NOTE**

WITH security siren: With security fob present, turn ignition switch ON. Turn ignition switch OFF. **IMMEDIATELY** remove the main fuse.

Remove main fuse. See service manual.

5. **NOTE**

Slots in Tour-Pak support allow position adjustment. Record position before removal.

NOTE

APC models offer no adjustment. The adapter plate locates Tour-Pak to meet market regulations.

Remove Tour-Pak®.

- a. See Figure 2. Separate electrical connectors.

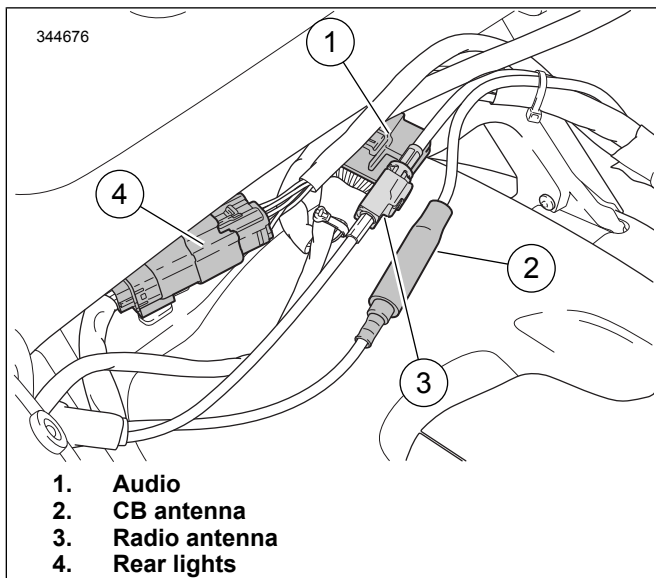


Figure 2. Tour-Pak Connectors

- b. See Figure 3. Remove flange nuts (3) securing Tour-Pak to support rack.

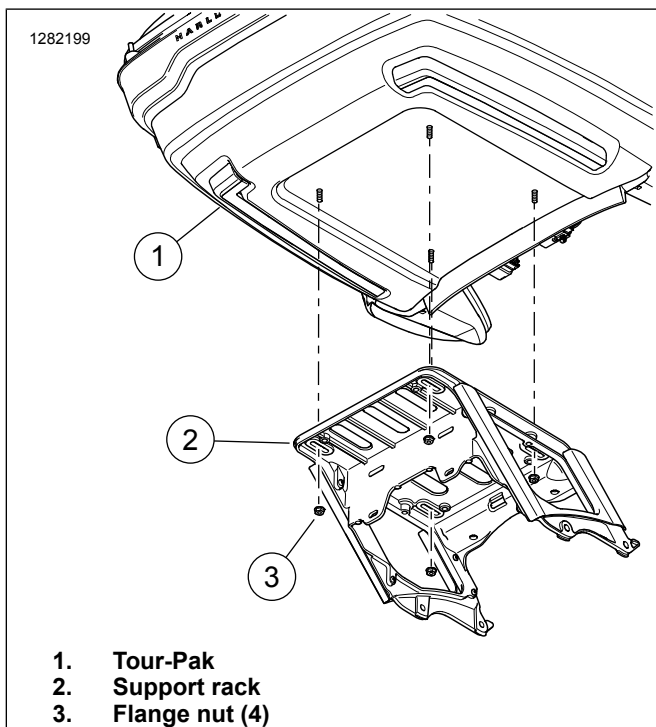


Figure 3. Tour-Pak Mount

- c. **APC models:** See Figure 4. Remove four screws, flat washers and adapter plate from support rack. Slide forward to release L-hooks.

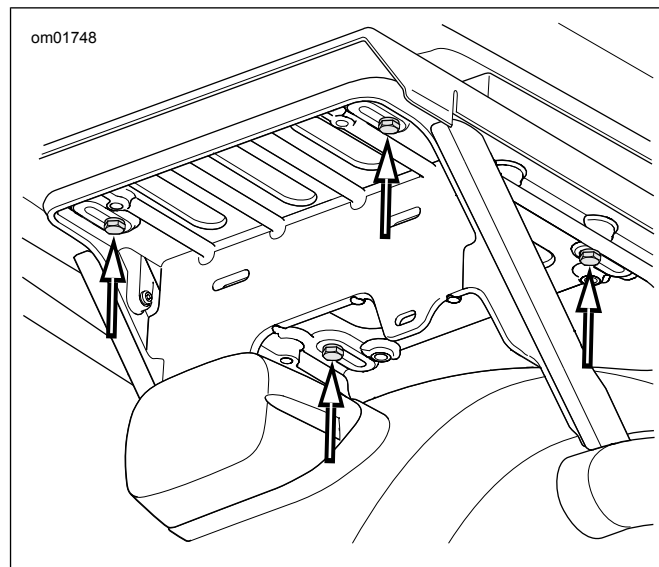


Figure 4. Tour-Pak Bracket Screws (APC/China Models)

- d. Remove assembly.

6. **NOTE**

Models without Tour-Pak have spacers in place where Tour-Pak supports mounts. Removal and installation is similar.

Remove Tour-Pak support.

- a. See Figure 5. Remove harness connectors from anchors on support (1).
- b. Remove two screws (3) from each side.
- c. Remove Tour-Pak support.

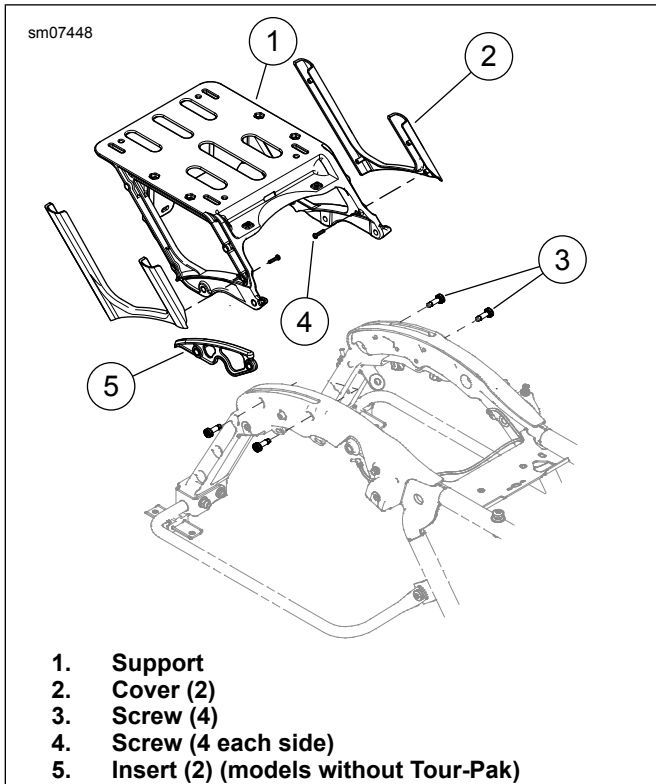


Figure 5. Tour-Pak Support

7. See Figure 7. Remove tail lamp and tail lamp base.
 - a. Remove screws (1).
 - b. Disconnect and remove tail lamp and lens assembly (2).
 - c. Note connector locations at tail lamp base (4) to ease installation.
 - d. Disconnect all tail lamp base connections.
 - e. Remove screw (3) and tail lamp base.
8. Unscrew radio antenna mast from antenna mast base. Set mast aside for later installation.
9. See Figure 6. Remove right side inboard nut (2). Discard screw (1).

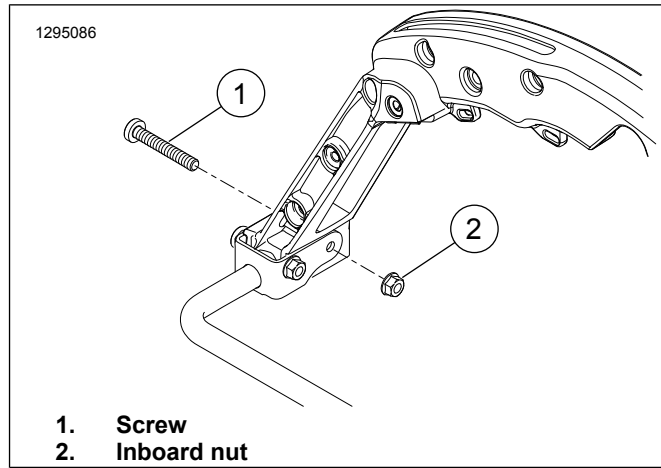


Figure 6. OE Screw Removal

INSTALL

1. See Figure 1. Install the Docking Hardware Kit (1) per instructions in **that** kit.
2. Install LED Saddlebag Run/Brake/Turn Lamp Kit (3) per instructions in **that** kit.
3. See Figure 7. Install license plate bracket.
 - a. Install license plate bracket (5) in fender.
 - b. Route any wiring harnesses through license plate bracket.
 - c. Install tail lamp base over license plate bracket. Secure with screw (3).
 - d. Install connectors to tail lamp base.
 - e. Connect tail lamp and lens assembly to tail lamp base. Install tail lamp and lens assembly to base and secure with screws (1).
4. See Figure 5. Relocate radio antenna.
 - a. Install antenna relocation bracket (2). Secure with screw (1) and previously removed nut. Tighten.
Torque: 40.7–50.1 N·m (30–37 ft-lbs) *Hex socket button head screw, hex flange nut*
 - b. Install nut (4) onto antenna cable extension (3).
 - c. Insert antenna cable extension through hole in antenna relocation bracket.
 - d. Secure antenna cable extension with lockwasher (5) and nut (4). Place a wrench on upper nut. Tighten lower nut.
Torque: 8 N·m (6 ft-lbs) *Hex nut*
 - e. Install antenna mast base (joint assembly) (6) onto antenna cable extension.
 - f. Route antenna cable forward along saddlebag support bar into rear of seat pan area. Secure cable with cable straps. Allow slack in cable at antenna base to avoid kinking or binding at connection.

g. Thread antenna mast assembly securely onto antenna mast base.

5. Install the Tour-Pak onto the Detachable Tour-Pak Rack (Part No. 53000221) following the instructions included in that kit.

6. **NOTE**

- Apply reflectors in ambient temperatures between 21–38 °C (70–100 °F).
- Reflectors cannot be repositioned after initial installation. Do not remove protective film from adhesive until ready to apply.
- Allow at least 24 hours after application before exposing the area to vigorous washing, strong water spray or extreme weather.
- The adhesive bond will increase to maximum strength after about 72 hours at normal room temperature.

See Figure 1. Mark reflector (12) location.

- a. Clean the reflector mounting surface with a 50:50 mixture of isopropyl alcohol and water. Allow to dry completely.
- b. See Figure 9. Place reflector (2) on rear of saddlebag centered and Distance: 13 mm (0.5 in) below auxiliary tail lamp (1).
- c. Mark location with a grease pencil.

7. **NOTE**

Once applied, do not shift reflectors.

Install reflector.

- a. Remove the adhesive backing from reflector.
- b. Place reflector in marked location.
- c. After placing reflector, apply even pressure across entire surface for 15 seconds.
- d. Wait 20 minutes before touching reflectors.

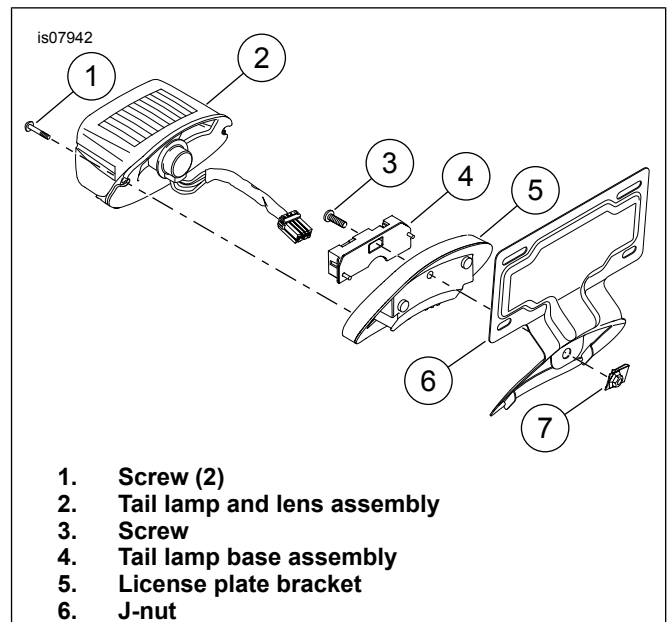


Figure 7. Install License Plate Bracket

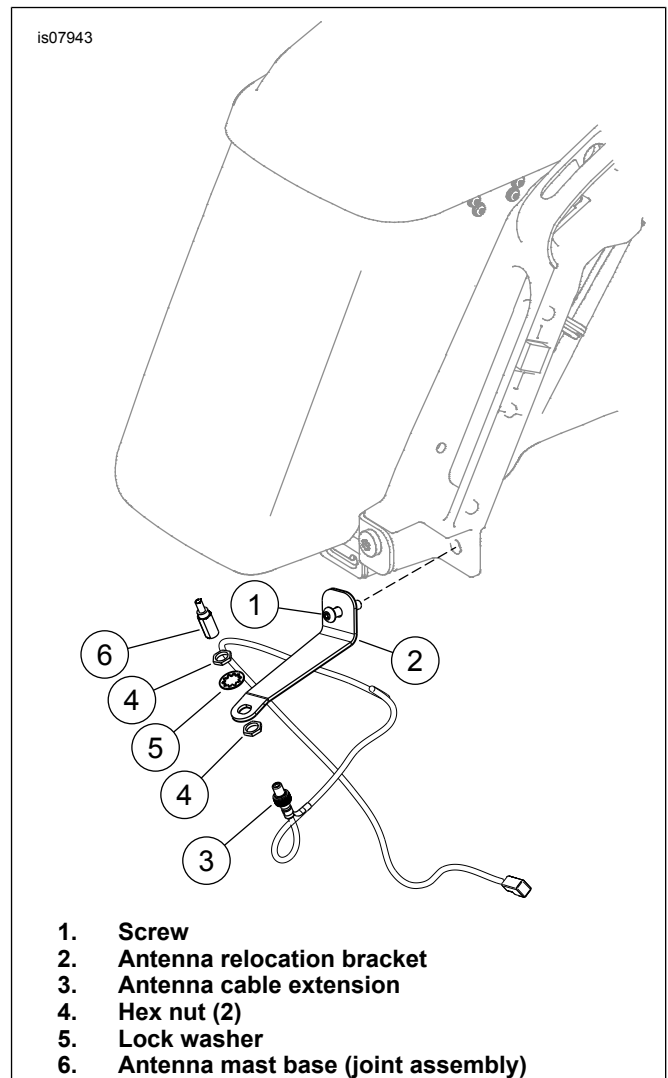


Figure 8. Antenna Relocation

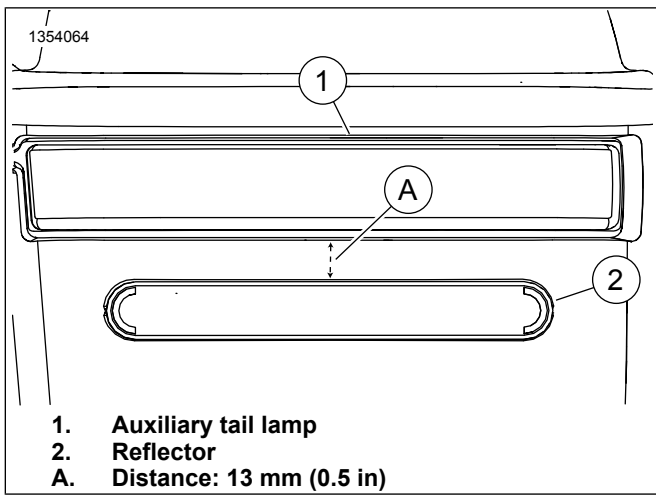


Figure 9. Reflector Placement

COMPLETE

NOTE

To prevent possible damage to the sound system, verify that the ignition is OFF **before** installing the main fuse.

1. Install main fuse. See service manual.
2. Test the radio for proper operation.
3. Install seat. After installing seat, pull up on seat to verify that it is secure. See service manual.
4. Install left side cover. See service manual.
5. Install saddlebags. See service manual.
6. Install Tour-Pak following the instructions in the Detachable Tour-Pak Rack Kit (Part No. 53000221).

NOTE

When removing the Tour-Pak, the wire harness can be rolled up and tucked under seat.