



INSTRUCTIONS

J06696

2021-01-11



BOOM! AUDIO AM/FM/WB HIDDEN ANTENNA

GENERAL

Kit Number

76000862, 76000863

Models

For model fitment information, see the P&A retail catalog or the Parts and Accessories section of www.harley-davidson.com (English only).

Installation Requirements

⚠ WARNING

Rider and passenger safety depend upon the correct installation of this kit. Use the appropriate service manual procedures. If the procedure is not within your capabilities or you do not have the correct tools, have a Harley-Davidson dealer perform the installation. Improper installation of this kit could result in death or serious injury. (00333b)

NOTE

This instruction sheet references service manual information. A service manual for this year/model motorcycle is required for this installation. One is available from a Harley-Davidson dealer.

Kit Contents

Refer to Figure 8 and Table 1.

REMOVAL

1. Turn ignition switch OFF.

⚠ WARNING

To prevent accidental vehicle start-up, which could cause death or serious injury, remove main fuse before proceeding. (00251b)

2. See service manual. Remove the following:
 - a. Main fuse
 - b. Outer fairing
 - c. Windshield
 - d. Headlight

INSTALLATION

NOTE

- Verify that ambient temperature is **at least** 16 °C (60 °F) for proper adhesion of the hidden antenna to the vehicle.

- Allow **AT LEAST 24 hours** after applying the antenna before exposing the area to vigorous washing, strong water spray or extreme weather.
- The adhesive bond will increase to maximum strength after about 72 hours at normal room temperature.

Kit 76000862:

Fairing Mount

1. See Figure 1 or Figure 2. Clean antenna mounting surface under windshield vent with alcohol cleaning packet (see Figure 8, Item 5). Mount antenna as shown in the correct figure.
2. Unplug original equipment (OE) AM/FM connector.
3. Plug in antenna wire (4) into antenna port (3) on back of radio.
4. Route antenna wire (4) around speaker pods. Secure with cable strap base (6) and cable straps (7).
5. Clean cable strap base (6) mounting surfaces with alcohol cleaning packet (see Figure 8, Item 5) before adhering cable strap base (6).
6. See Figure 8. **FLHX Models:** Remove grommet from antenna clearance hole in rear fender fascia. Install hole plug (6) from kit. **ALL Models:** Remove OE AM/FM antenna mast from rear of vehicle. Install antenna thread protector (4) over antenna base.

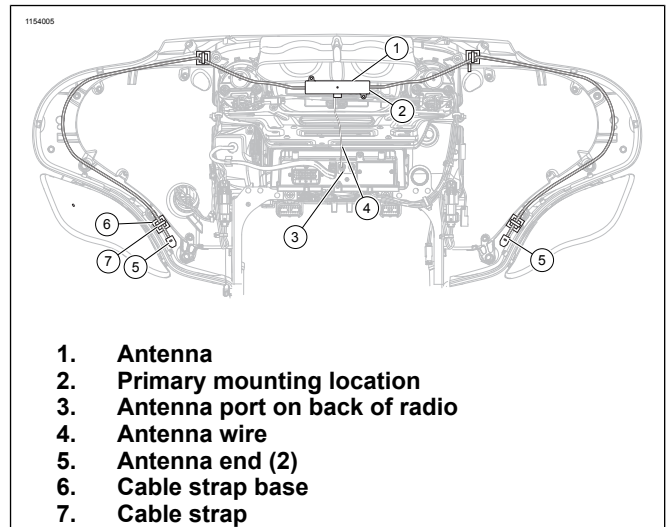


Figure 1. Antenna Connections and Routing



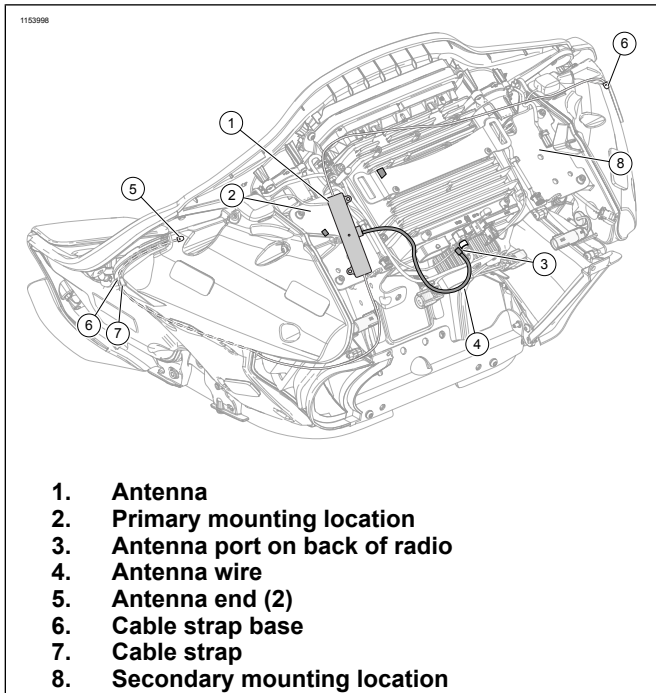


Figure 2. Antenna Connections and Routing

Tour-Pak Mount

1. Remove Tour-Pak lid. See service manual.
2. Remove liner. See service manual.
3. See Figure 3. Trace outline of antenna module on right side forward location of liner.
4. Cut liner at traced location.
5. Clean antenna mounting surface inside Tour-Pak with alcohol cleaning packets (5).
6. See Figure 4. Route and attach antenna wire (1) to Tour-Pak perimeter with foam tape (2).
7. Remove ground plate from Tour-Pak. See service manual.
8. Unplug Original Equipment (OE) AM/FM connector.
9. Plug antenna into matching connector.
10. Install ground plate. See service manual.
11. Install liner. See service manual.
12. Install Tour-Pak lid. See service manual.

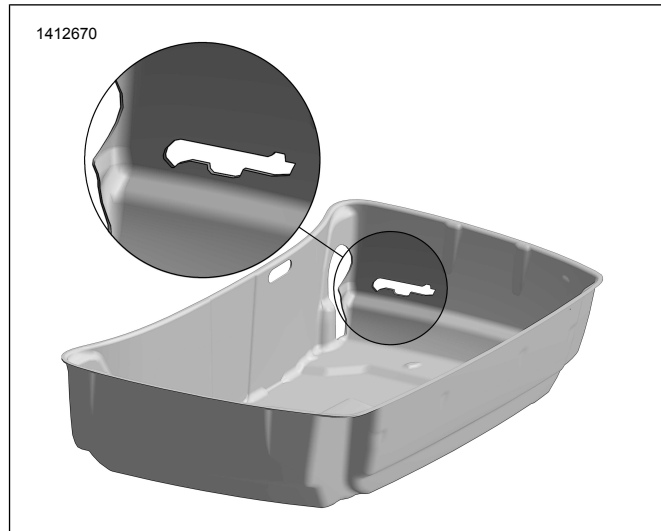


Figure 3. Cutout

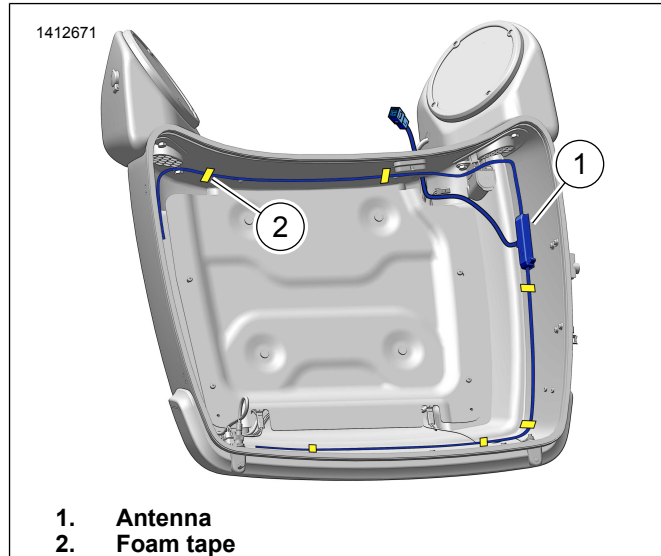


Figure 4. Routing

Kit 76000863:

Models with Fork-Mounted Fairing and Standard Headlamp

1. See Figure 5. Remove antenna (1) and alcohol cleaning packet (see Figure 8, Item 5) from kit.
2. Position curved mounting wedge of antenna (1) against front of vehicle outer fairing skirt (2), about 6mm (1/4 in) below black plastic trim strip.

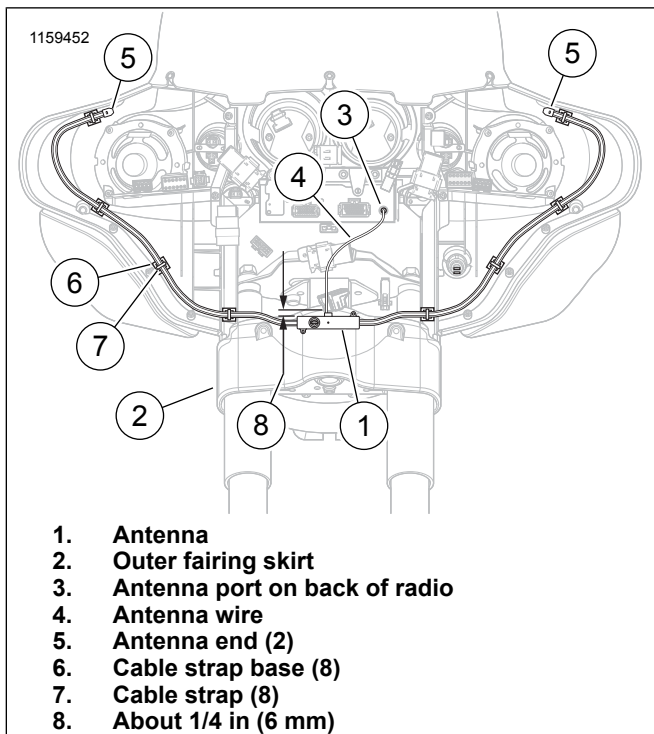


Figure 5. Antenna Element Routing (FLHT Models with Standard Headlamp)

3. Clean mounting area of skirt with alcohol cleaning packet (see Figure 8, Item 5). Allow to dry thoroughly.
4. Remove liner from adhesive backing of foam tape (see Figure 8, Item 7) on wedge.
5. Carefully position antenna to fairing skirt.
6. Press firmly into place, holding antenna in position with steady pressure for one minute.

Models with Fork-Mounted Fairing and LED or Dual-Bulb Halogen Headlamp

1. See Figure 8. Remove antenna (1), foam tape (7) and alcohol cleaning packet (5) from kit.
2. Remove mounting wedge (1) from antenna housing.
3. Recycle or dispose of wedge and screws properly.
4. See Figure 5. Test-fit antenna (1) against the inside of inner fairing as shown.
5. Clean mounting area of inner fairing and antenna with the alcohol cleaning packet (see Figure 8, Item 5). Allow to dry thoroughly.
6. Remove liner from adhesive backing on one side of foam tape (see Figure 8, Item 7). Fasten tape to antenna.
7. See Figure 6. Remove liner from adhesive backing on the second side of foam tape (see Figure 8, Item 7).
8. Carefully position antenna to inner fairing.
9. Press firmly into place, holding antenna in position with steady pressure for one minute.

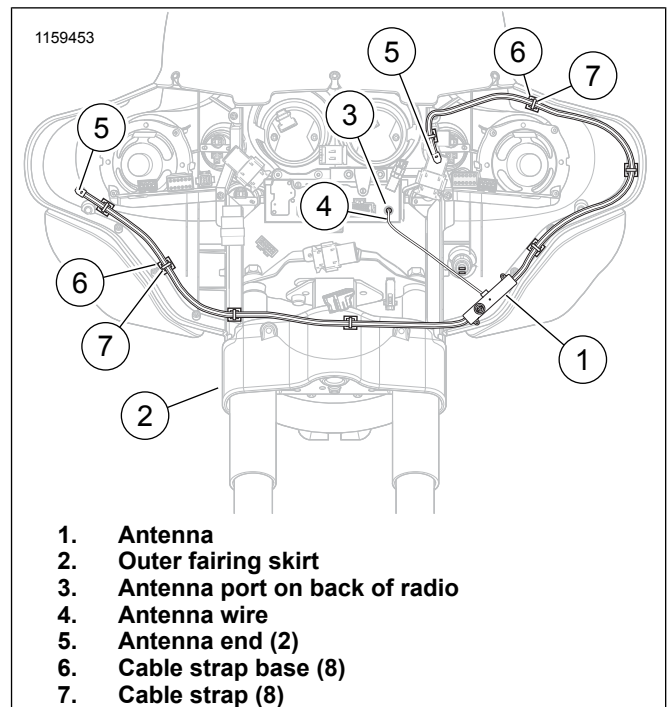
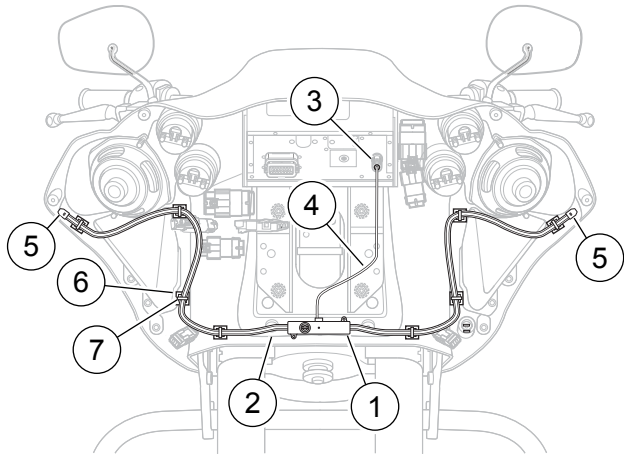


Figure 6. Antenna Element Routing (FLHT Models with LED or Dual Bulb Headlamp)

Models with Frame-Mounted Fairing

1. See Figure 8. Remove antenna (1), foam tape (7) and alcohol cleaning packet (5) from kit.
2. Remove mounting wedge (1) from antenna housing.
3. Recycle or dispose of wedge and screws properly.
4. See Figure 7. Test-fit antenna (1) against the underside of fairing mount bracket (2) as shown.
5. Clean mounting area of fairing mount bracket (2) and antenna (1) with alcohol cleaning packet (see Figure 8, Item 5). Allow to dry thoroughly.
6. Remove liner from adhesive backing on one side of foam tape (see Figure 8, Item 7). Fasten tape to antenna.
7. Remove liner from adhesive backing on second side of foam tape (see Figure 8, Item 7).
8. Press firmly into place, holding antenna in position with steady pressure for one minute.
9. Carefully position antenna to the inner fairing, as high as it will go against fairing mount bracket (2) as shown.



1. Antenna
2. Fairing mount bracket
3. Antenna port on back of radio
4. Antenna wire
5. Antenna end (2)
6. Cable strap base (8)
7. Cable strap (8)

Figure 7. Antenna Element Routing (FLTR Models)

RETURN TO SERVICE

NOTE

To prevent possible damage to the sound system, verify that the ignition switch is **OFF** **before** installing the main fuse.

1. Install main fuse. See service manual.
2. Test radio function on AM, FM and Weather bands to verify that antenna is working properly.

NOTE

Installation of the hidden antenna could result in a slight reduction of AM signal reception in certain urban and rural locations.

3. Install outer fairing, windshield, headlight and main fuse. See service manual.

SERVICE PARTS

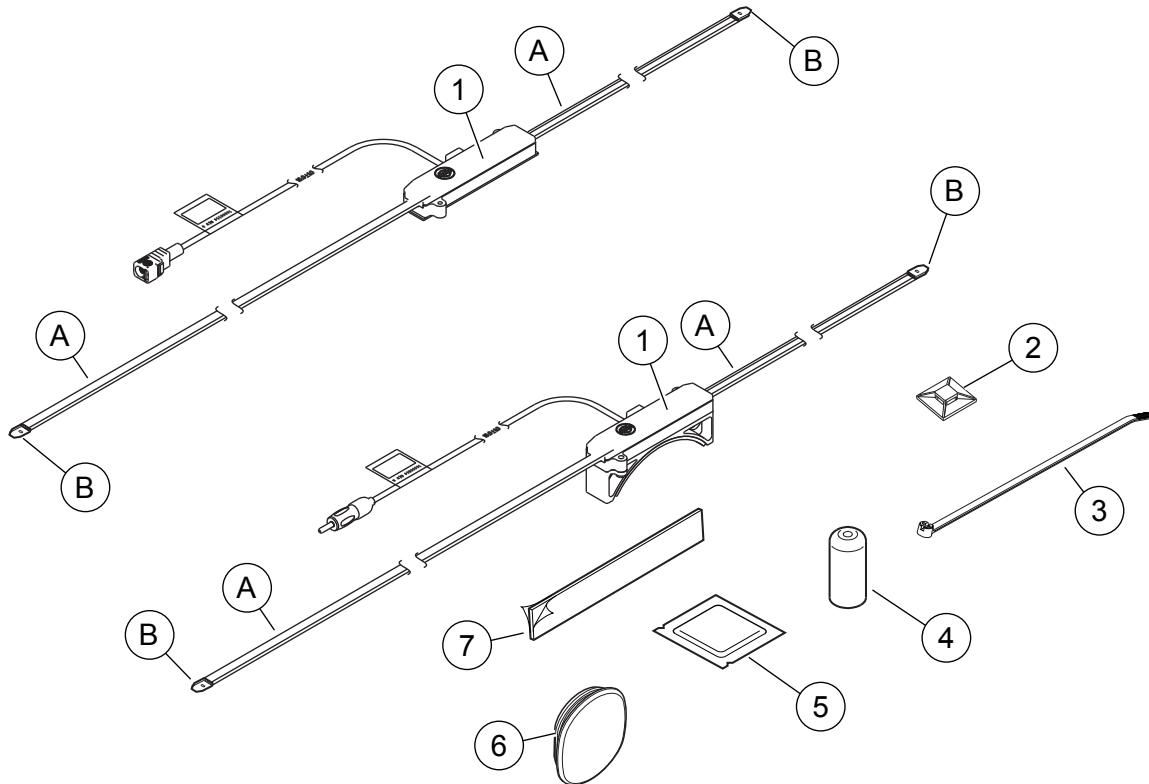


Figure 8. Service Parts: Boom! Audio Hidden Antenna Kit

Table 1. Service Parts

Item	Description (Quantity)	Part Number
	Antenna, AM/FM/WB Kit	
1	Antenna	Not sold separately
2	Cable strap base (8)	69200342
3	Cable strap (10)	10065
4	Thread protector cap, antenna base	25700109
5	Alcohol cleaning packet	Not sold separately
6	Plug, fascia antenna hole	59749-06
7	Foam tape, (Kit 76000862) (4)	77125-09
	Foam tape, two side adhesive, (Kit 76000863)	11100063
Items mentioned in text, but not included in kit:		
A	Antenna element (2)	
B	Antenna end (2)	