



INSTRUCTIONS

94100010

2021-02-05



LED KING TOUR-PAK R/B/T LIGHT KIT

GENERAL INFORMATION

Table 1. General Information

Kits	Suggested Tools	Skill Level ⁽¹⁾
67801128, 67801129	Safety Glasses, Torque Wrench	
<i>(1) Tightening to torque value or other moderate tools and techniques required</i>		

KIT CONTENTS

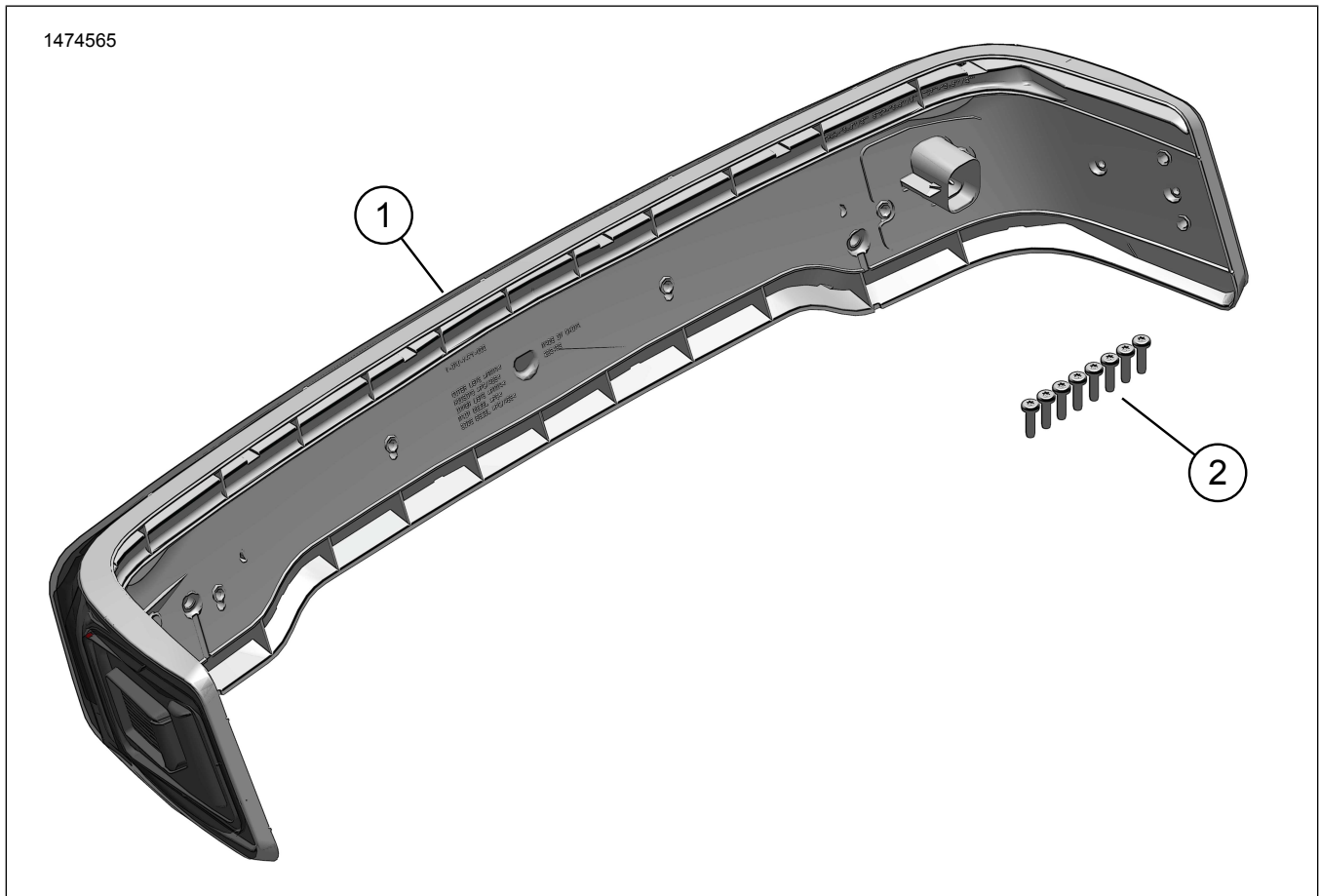


Figure 1. Kit Contents: LED King Tour-Pak R/B/T Light Kit Components

Table 2. Kit Contents: LED King Tour-Pak R/B/T Light Kit Components

<input checked="" type="checkbox"/>	Item	Qty	Description	Part No.	Notes
<input type="checkbox"/>	1	1	LED wrap-around lamp assembly	Not sold separately	
<input type="checkbox"/>	2	8	Screw	10200133	

NOTE

Verify that all contents are present in the kit before installing or removing items from vehicle.

GENERAL

Models

For model fitment information, see the P&A Retail Catalog or the Parts and Accessories section of www.harley-davidson.com (English only).

Verify that the most current version of the instruction sheet is used. It is available at: www.harley-davidson.com/isheets

Contact Harley-Davidson Customer Support Center at 1-800-258-2464 (U.S. only) or 1-414-343-4056.

Installation Requirements

▲ WARNING

Rider and passenger safety depend upon the correct installation of this kit. Use the appropriate service manual procedures. If the procedure is not within your capabilities or you do not have the correct tools, have a Harley-Davidson dealer perform the installation. Improper installation of this kit could result in death or serious injury. (00333b)

NOTE

This instruction sheet references service manual information. A service manual for the year and model motorcycle is required for this installation and is available from:

- A Harley-Davidson dealer.
- H-D Service Information Portal, a subscription-based access available for most 2001 and newer models. For more information see. Frequently ask questions about subscriptions.

NOTE

If an external antenna is still being used, see below.

These items are available at your local Harley-Davidson dealership.

- **Models with CB:** Require a CB Antenna Relocation Kit (Part No. 76000308).
- **Vehicles with AM/FM Antenna:** Optional purchase of Antenna Relocation Kit (Part No. 76000582).
- **Vehicles with AM/FM Antenna:** Optional purchase of Internal Hidden Antenna (Part No. 76000862). This option can be installed in the Tour-Pak or Front Fairing for a cleaner appearance.

Separate purchase and installation of more parts or accessories could be required for proper installation of this kit on your model motorcycle. See the P&A Retail Catalog or the Parts and Accessories section of www.harley-davidson.com (English only) for required parts or accessories.

REMOVE

▲ WARNING

To prevent accidental vehicle start-up, which could cause death or serious injury, remove main fuse before proceeding. (00251b)

1. Remove main fuse. See service manual.
2. Remove Tour-Pak liner. See service manual.
3. Remove both antenna masts from light housing. Set aside.
4. Disconnect AM/FM radio antenna cable connector.
5. Disconnect electrical connector.
6. Remove nut, washer and ring terminal from CB antenna stud.
7. Remove nut, ring terminal and large flat washer from AM/FM radio antenna stud.
8. Remove screws to free light assembly from Tour-Pak.

INSTALL

1. See Figure 2. Install light (1).
2. Secure with screws (2). Tighten.
Torque: 2.3–2.8 N·m (20–25 in-lbs)
3. Install electrical connector (3).

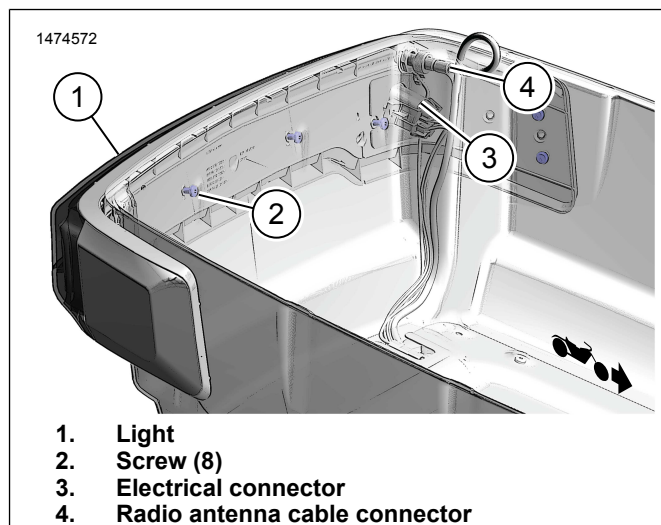


Figure 2. Wrap-around Lamp

COMPLETE

1. Install main fuse. See service manual.

NOTE

Verify that ignition key switch is in the OFF position before installing main fuse.

2. Check AM/FM/CB radio for proper operation.
3. Check light function.
 - a. With ignition switch ON, all three light sections are illuminated.

- b. With brake lever or brake pedal actuation, CENTER section brightens.
 - c. With left or right turn signal actuation, END sections flash.
4. Install Tour-Pak liner. See service manual.