



INSTRUCTIONS

J06656

2020-08-24



SEISMIC REAR WHEEL KITS

GENERAL

⚠ WARNING

Install only wheels and installation kits approved for your model motorcycle. Contact a Harley-Davidson dealer to verify fitment. Mismatching wheels and installation kits or installing wheels not approved for your model can cause loss of control, which could result in death or serious injury. (00610c)

Kit Numbers

40900568, 40900569

Models

For model fitment information, see the P&A Retail Catalog or the Parts and Accessories section of www.harley-davidson.com (English only).

Kit Contents

See Figure 1 and Table 3.

Additional Parts Required

These kits include the custom wheel only.

Proper installation of these kits require the separate purchase of the following parts which are available at a Harley-Davidson dealer.

- Wheel Installation Kit. Refer to Table 4 through Table 5 to determine required installation kit.
- Brake Disc Screws. Refer to Table 1 to determine proper hardware.
- Rear Sprocket Screws. Refer to Table 1 to determine proper hardware.
- WHEEL BEARING INSTALLER/REMOVER 94143-09A

Recommended Products

The following Harley-Davidson Genuine Motor Accessories are recommended for proper maintenance and cleaning:

- Chrome Clean & Shine (93600031 (US) / 93600082 (International))
- Glaze Poly Sealant (93600026 (US) / 93600079 (International))
- Harley® Preserve Bare Aluminum Protectant (99845-07)
- Harley® Wheel and Spoke Brush (43078-99)
- Wheel & Tire Cleaner (93600024 (US) / 93600076 (International))

⚠ WARNING

Rider and passenger safety depend upon the correct installation of this kit. Use the appropriate service manual procedures. If the procedure is not within your capabilities or you do not have the correct tools, have a Harley-Davidson dealer perform the installation. Improper installation of this kit could result in death or serious injury. (00333b)

NOTE

This instruction sheet references service manual information. A service manual for your model motorcycle is required for this installation and is available from a Harley-Davidson dealer.

Table 1. Rear Disc and Sprocket Hardware Fitment

Hardware	Fitment
Rear Disc Screws (select stock or chrome hardware)	
5 Stock disc screws (43567-92)	All models
Chrome screw kit (46647-05) includes 5 screws	All models
Rear Sprocket Screws (select stock or chrome hardware)	
5 Sprocket screw, stock (3109)	2007 and later Dyna and Softail, 2007 Touring
Chrome screw kit (94773-07) includes 5 screws and washers	2007 and later Dyna and Softail

INSTALLATION

NOTE

Prior to removing or installing the wheel, the rear brake caliper must be removed.

The cotter pin or spring clip for the axle nut must be replaced. They are available for purchase from your dealer. See your dealer for the correct part number for your model motorcycle.

Install valve stem (40999-87) included in the installation kit.

1. Remove existing rear wheel assembly. Retain axle, axle nut, brake disc, and wheel spacers for kit installation. See REAR WHEEL in the service manual.
2. Figure 1 Install valve stem assembly on wheel. See TIRES in the service manual.

NOTICE

Do not re-use brake disc/rotor screws. Re-using these screws can result in torque loss and damage to brake components. (00319c)

NOTICE

Do not re-use sprocket mounting screws. Re-using sprocket mounting screws can result in torque loss and damage to the sprocket and/or belt assembly. (00480b)



3. Assemble wheel installation kit components, stock brake disc, and sprocket to wheel using the appropriate service parts table. See REAR WHEEL in the service manual.

NOTE

The machined grooves in the hub face indicate the primary bearing side. Install the primary bearing first using appropriate service manual and WHEEL BEARING INSTALLER/REMOVER 94143-09A.

4. When installing the tire, ensure protective covers are installed on the tire mounting machine to avoid paint chipping.
5. Install rear wheel (1), stock axle, and stock spacers to motorcycle. See REAR WHEEL in the service manual.

1. Clean heavily-soiled wheel surfaces using Harley-Davidson Wheel and Tire Cleaner, applied with Harley Wheel and Spoke Brush.
2. Thoroughly clean chrome with a good quality wheel cleaner, such as Wheel and Tire Cleaner.
3. After cleaning and polishing, seal the finish with a good quality sealer, such as Harley Glaze Polish and Sealant.

▲ WARNING

Harley-Davidson recommends the use of its specified tires. Harley-Davidson vehicles are not designed for operation with non-specified tires, including snow, moped and other special-use tires. Use of non-specified tires can adversely affect stability, handling or braking and lead to loss of vehicle control, which could result in death or serious injury. (00024d)

MAINTENANCE AND CLEANING

Chrome parts must be maintained regularly to keep their original shine and luster.

Table 2. Specified Tire Combination

Kit Installation	Specified Tire	Front Tire Part No.	Rear Tire Part No.
2018 and later FXBR/FXBRS	Michelin Scorcher "11"	43100035	43189-11
2018 and later FLFB/FLFBS	Michelin Scorcher "11"	43100037	43189-11

SERVICE PARTS

1427644

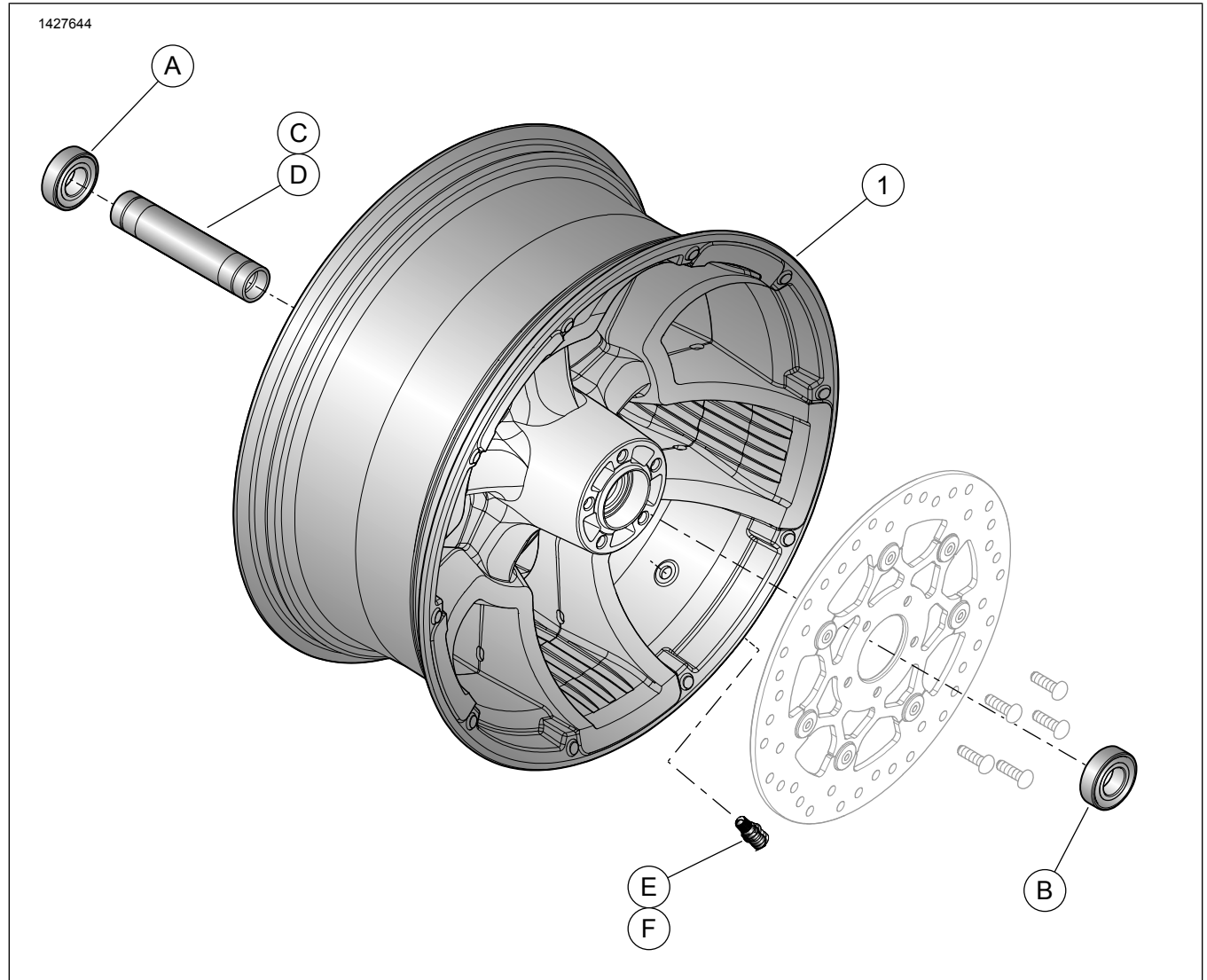


Figure 1. Service Parts: Rear Wheels (16-inch Shown)

Table 3. Service Parts and Wheel Kit Contents

Kit	Item	Description (Quantity)	Part Number
40900568, 40900569	1	Wheel	Not Sold Separately
		Visual indicator mentioned in text:	
	2	Machined groove (all wheels)	

Table 4. Rear 25 mm Bearing ABS Wheel Installation Kit (42400036)

Rear 25mm Bearing ABS Wheel Installation Kit (42400036)		Item Quantity Used and Description					
Fitment	Wheel Size	A	B	C	D	E	F
2018 and later FXBB	16 x 3.0 in	1	1	0	1	1	1
2018 and later FXFB, FXLR and FL5B	16 x 5.0 in	1	1	0	1	1	1
2018 and later FXBR, FXBRS, FLFB and FLFBS	18 x 8.0 in	1	1	1	0	1	1
Installation kits are designed to work with many different wheel styles and fitments. Contact a Harley-Davidson dealer to verify that the wheel and installation kits are both designed and approved for the motorcycle they are being installed on.		A	Bearing, Regular	9276B			
		B	Bearing, ABS	9252A			
		C	Axle Sleeve	40900474			
		D	Axle Sleeve	40900472			
		E	Valve Stem, Pull Thru	40999-87			
		F	Valve Stem, Cap	41123-79			

Table 5. Rear 25 mm Bearing Wheel Installation Kit (42400035)

Rear 25 mm Bearing Wheel Installation Kit (42400035)		Item Quantity Used and Description			
Fitment	Wheel Size	A	D	E	F
2018 and later FXBB	16 x 3.0 in	2	1	1	1
2018 and later FXFB, FXLR and FL5B	16 x 5.0 in	2	1	1	1
Installation kits are designed to work with many different wheel styles and fitments. Contact a Harley-Davidson dealer to verify that the wheel and installation kits are both designed and approved for the motorcycle they are being installed on.		A	Bearing, Regular (2)	9276B	
		D	Axle Sleeve	40900472	
		E	Valve Stem, Pull Thru	40999-87	
		F	Valve Stem, Cap	41123-79	