



# INSTRUCTIONS

94100178

2020-08-24



## HANDLEBAR GRIPS

### GENERAL INFORMATION

Table 1. General Information

Kits	Suggested Tools	Skill Level <sup>(1)</sup>	Time
56100479	Safety Glasses, Torque Wrench		1 hour
<i>(1) Tightening to torque value or other moderate tools and techniques required</i>			

### KIT CONTENTS

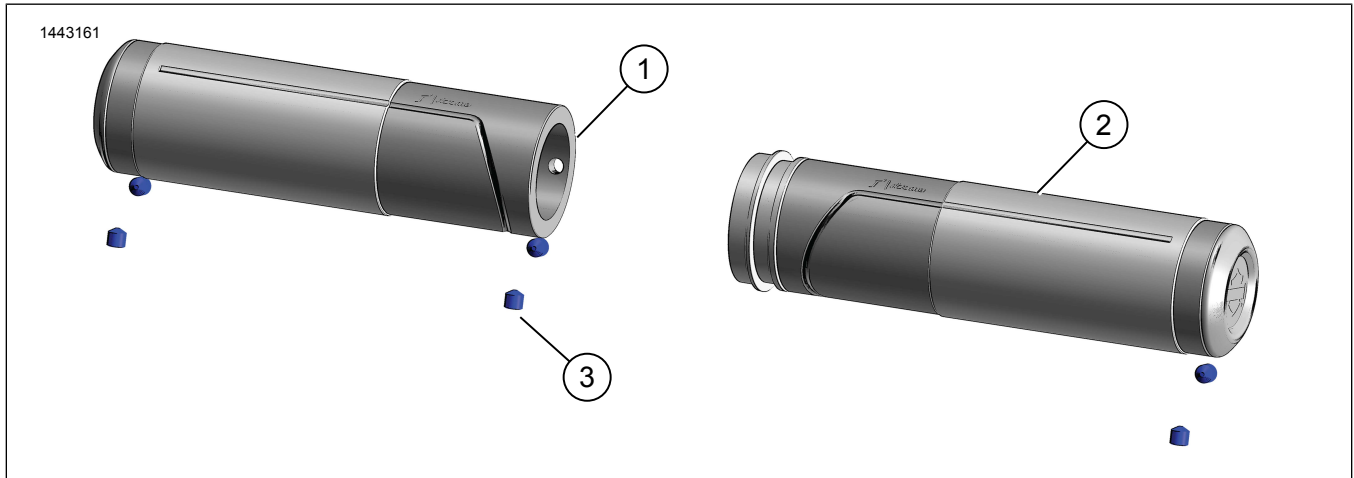


Figure 1. Kit Contents: Handlebar Grips

Table 2. Kit Contents: Handlebar Grip Components

<input checked="" type="checkbox"/>	Item	Qty	Description	Part No.	Notes
<input type="checkbox"/>	1	1	Grip, left	56100480	
<input type="checkbox"/>	2	1	Grip, right	56100481	
<input type="checkbox"/>	3	6	Set screw	10201108	

#### NOTE

Verify that all contents are present in the kit before installing or removing items from vehicle.

### GENERAL

#### Models

For model fitment information, see the P&A Retail Catalog or the Parts and Accessories section of [www.harley-davidson.com](http://www.harley-davidson.com) (English only)

Verify that the most current version of the instruction sheet is used. It is available at: [www.harley-davidson.com/isheets](http://www.harley-davidson.com/isheets)

Contact Harley-Davidson Customer Support Center at 1-800-258-2464 (U.S. only) or 1-414-343-4056.

### Installation Requirements

A solution of 70% isopropyl alcohol and 30% water is needed. This solution temporarily reduces the adhesive properties of the two-sided tape.

#### ⚠ WARNING

Rider and passenger safety depend upon the correct installation of this kit. Use the appropriate service manual procedures. If the procedure is not within your capabilities or you do not have the correct tools, have a Harley-Davidson dealer perform the installation. Improper installation of this kit could result in death or serious injury. (00333b)

**NOTE**

This instruction sheet references service manual information. A service manual for the year and model motorcycle is required for this installation and is available from:

- A Harley-Davidson dealer.
- H-D Service Information Portal, a subscription-based access available for most 2001 and newer models. For more information see Frequently ask questions about subscriptions.

**REMOVE**

**Left Side Grip**

1. See Figure 2. Remove the left switch housing. See the service manual.
2. Remove the grip by carefully cutting it away from the handlebar using a sharp blade or knife.

**NOTE**

Thoroughly clean handlebar to remove all residual adhesive.

**NOTE**

Do not install the adhesive tape now.

3. Remove tape and adhesive residue from the handlebar.

**INSTALL**

**Left-side Grip**

1. Install the left switch housing. See the service manual.

**NOTE**

See Figure 1. for proper orientation of grip.

2. To understand the correct orientation of the left side grip: Position the new left grip so the lines on the grip are toward the rider and front of the vehicle. See Figure 1. The lines on the grip are vertical.
3. Test fit the grip without the adhesive tape. Ensure that the grip can fully seat without contacting the switch housing. Remove the left side hand grip.

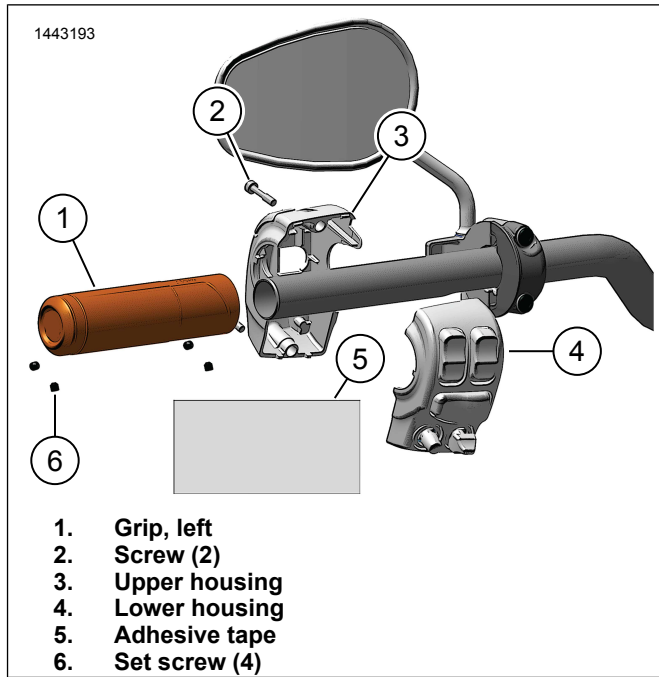


Figure 2. Left Hand Grip

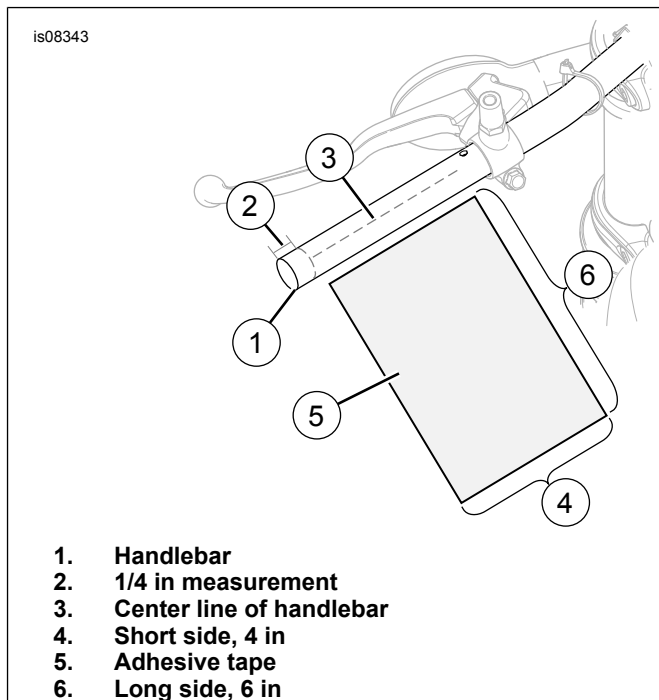


Figure 3. Left Hand Grip

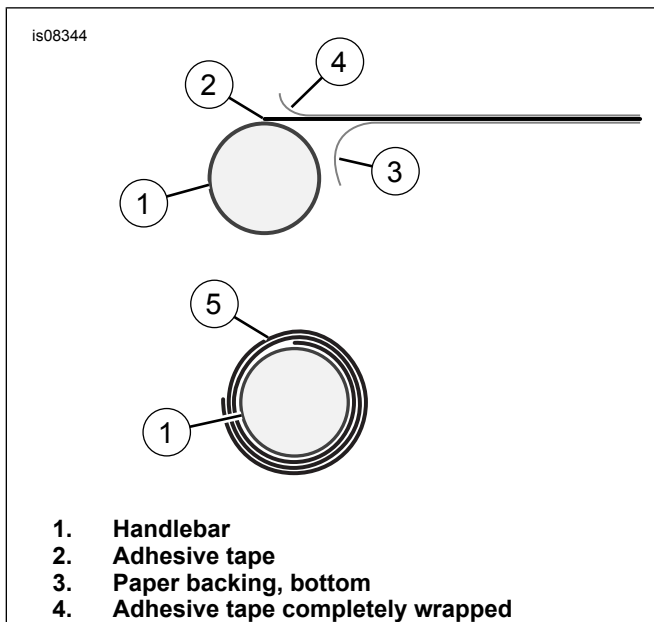


Figure 4. Handlebar and Adhesive Tape

## Adhesive Tape

- To ease installation. See Figure 3. Make a mark 1/4 in (2) from the end of the handlebar. Keep the adhesive tape along this line while applying. To aid in alignment make a mark (3) straight along handlebar.
- See Figure 4. Remove the paper from the bottom side (3) of the adhesive tape (2).
- See Figure 3. Align one of the short sides (4) of the adhesive tape (5) with line (3).

### NOTE

Once the isopropyl alcohol and water solution has been applied to the tape there is a limited time to complete the installation. Verify that the switch housing and grip are oriented correctly before proceeding.

- See Figure 4. Begin to apply the adhesive tape to the handlebar. Do not wrinkle the adhesive tape. Remove the top side of the paper (4) to prevent overlapping the paper while wrapping the handlebar. Fully wrap the adhesive tape around the handlebar.
- Spray the tape liberally with the solution of 70% isopropyl alcohol and 30% water. The solution will temporarily reduce the adhesive property so the grip can be installed. After the solution is applied, you have about 1 minute to work before the adhesive begins to harden. Do not move the hand grip for 4 hours after installation to allow the adhesive tape to cure.

### NOTE

Do not move the hand grip for 4 hours after installation to allow the adhesive tape to cure.

- Tighten grip set screws.  
Torque: 2–2.5 N·m (18–22 in-lbs)

## REMOVE

### Right Side Grip

#### NOTICE

Do not remove or install the master cylinder assembly without first positioning a 5/32-inch (4 mm) thick insert between the brake lever and lever bracket. Removing or installing the master cylinder assembly without the insert in place may result in damage to the rubber boot and plunger on the front stoplight switch. (00324a)

- Remove switch housings and the right side grip (throttle twist grip). See service manual

## INSTALL

- Install switch housings and grip. See service manual.

### NOTE

See Figure 1. for proper orientation of grip.

- Adjust the switch housing and brake hand control position for rider comfort.
- Secure first the upper, then the lower handlebar clamp screws. Tighten.  
Torque: 6.8–6.9 N·m (5–5 ft-lbs)
- Secure first the lower, then the upper switch housing screws. Tighten.  
Torque: 2–2.5 N·m (18–22 in-lbs)

### ⚠ WARNING

Before starting engine, be sure throttle control will snap back to idle position when released. A throttle control that prevents engine from automatically returning to idle can lead to loss of control, which could result in death or serious injury. (00390a)

- Verify that the right grip/throttle sleeve rotates and returns freely and does not bind on the handlebar or switch housing.

## End Cap

### INSTALL

- Install end caps on left and right side grips.
  - Insert the end cap into the end of the grip.
  - Orient the bar and shield logo so that it is horizontal.
  - Install 2 set screws. Tighten.  
Torque: 2–2.5 N·m (18–22 in-lbs)