



# INSTRUCTIONS

J06675

2022-10-24



## SCREAMIN' EAGLE HEAVY BREATHER ELITE AIR CLEANER KIT

### GENERAL

#### Kit Numbers

29400406, 29400407

#### Models

For model fitment information, see the P&A retail catalog or the Parts and Accessories section of [www.harley-davidson.com](http://www.harley-davidson.com) (English only).

#### NOTE

*These kits are intended for High Performance applications only. Engine-related performance parts are intended FOR THE EXPERIENCED RIDER ONLY.*

#### Installation Requirements

LOCTITE 243 MEDIUM STRENGTH THREADLOCKER AND SEALANT (BLUE) (99642-97) is required for proper installation of this kit.

#### ⚠ WARNING

**Rider and passenger safety depend upon the correct installation of this kit. Use the appropriate service manual procedures. If the procedure is not within your capabilities or you do not have the correct tools, have a Harley-Davidson dealer perform the installation. Improper installation of this kit could result in death or serious injury. (00333b)**

#### NOTE

*This instruction sheet references service manual information. A service manual for this year/model motorcycle is required for this installation. One is available from a Harley-Davidson dealer.*

#### NOTICE

**You must recalibrate the ECM when installing this kit. Failure to properly recalibrate the ECM can result in severe engine damage. (00399b)**

See a Harley-Davidson dealer for ECM (Electronic Control Module) calibration.

#### Kit Contents

See Figure 3 and Table 1.

### INSTALLATION

#### ⚠ WARNING

**Disconnect negative (-) battery cable first. If positive (+) cable should contact ground with negative (-) cable connected, the resulting sparks can cause a battery explosion, which could result in death or serious injury. (00049a)**

1. Refer to the service manual. Remove seat. Disconnect both battery cables, negative battery cable first. Save all seat mounting hardware.

#### ⚠ WARNING

**When servicing the fuel system, do not smoke or allow open flame or sparks in the vicinity. Gasoline is extremely flammable and highly explosive, which could result in death or serious injury. (00330a)**

#### Original Equipment (OE) Air Cleaner Removal

Have a Harley-Davidson dealer recalibrate the ECM before air cleaner installation.

1. Remove the air cleaner backplate following the instructions in the service manual.
2. Remove and discard induction module support bracket.

#### Air Cleaner Backplate Installation

#### NOTE

*When servicing the air cleaner, apply threadlocker to all threaded fasteners (both male and female threads). LOCTITE 243 MEDIUM STRENGTH THREADLOCKER AND SEALANT (BLUE) (99642-97)*

1. See Figure 1. Position cover (6) on backplate (4).
2. Secure short screws (7). Tighten.  
Torque: 4.8–6 N·m (42–53 in-lbs)
3. Install square ring adhesive (5) to backplate (4).

#### NOTE

*Peel adhesive off square ring.*

4. Install gasket (8) and backplate (4) to throttle body.
5. Secure screw (1). Tighten.  
Torque: 6.2–6.8 N·m (55–60 in-lbs)



6. Install **new** O-rings (3).
7. Apply threadlocker to breather screws (2). Install and tighten.  
Torque: 30–32.5 N·m (22–24 ft-lbs)  
Consumable: LOCTITE 243 MEDIUM STRENGTH THREADLOCKER AND SEALANT (BLUE) (99642-97)

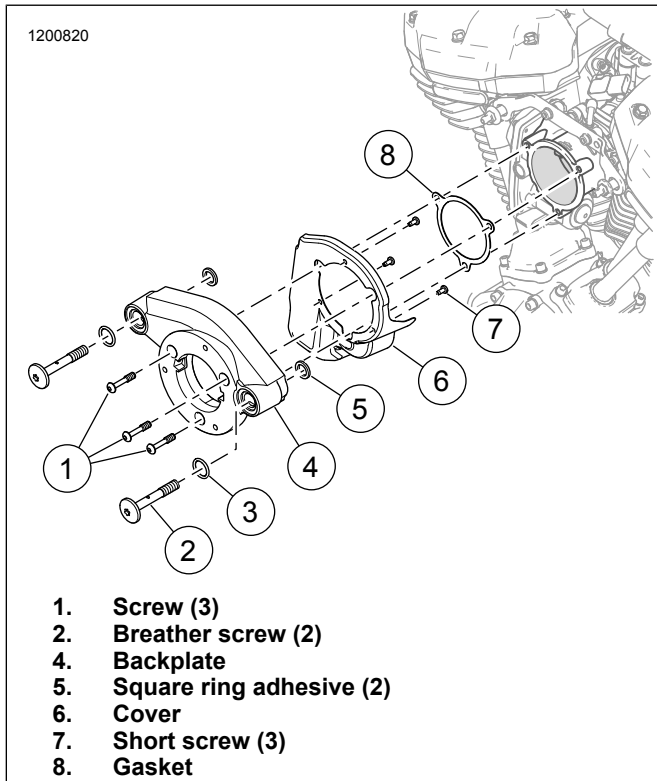


Figure 1. Intake Tube

## Air Filter Element and Intake Tube Installation

### NOTE

This air filter is PRE-OILED and ready to install.

1. See Figure 2. Install **new** gasket (3) and intake tube (2).
2. Secure screws (7). Tighten.  
Torque: 7.5–8.1 N·m (66–72 in-lbs)
3. Install air filter element (4).
  - a. Apply threadlocker to screws (1, 6).  
LOCTITE 243 MEDIUM STRENGTH THREADLOCKER AND SEALANT (BLUE) (99642-97)
  - b. See Figure 2. Install air filter element (4) and cover (5).

### NOTE

Clean mounting surface of filter prior to assembly.

- c. Install screws (1, 6). Tighten.  
Torque: 2–2.7 N·m (18–24 in-lbs) *Air filter cover screw*

### ⚠ WARNING

**Connect positive (+) battery cable first. If positive (+) cable should contact ground with negative (-) cable connected, the resulting sparks can cause a battery explosion, which could result in death or serious injury. (00068a)**

4. Connect battery cables, positive cable first. See service manual.
5. Install seat. After installing seat, pull up on the seat to verify that it is secure. See service manual.
6. If removing the Original Equipment (OE) intake you must apply the provided Warning Label in a clearly visible area. We suggest attaching the sticker to top edge of backplate.

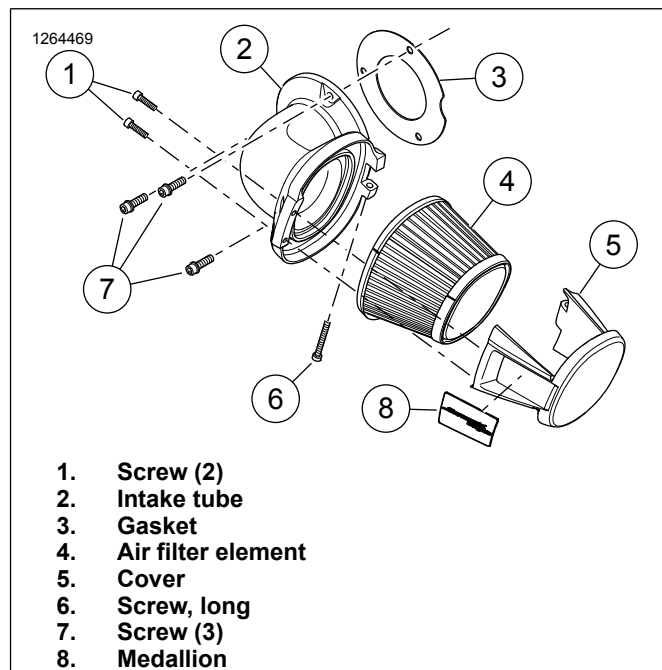


Figure 2. Air Filter Element

## Air Filter Element Maintenance

1. Inspect the air filter element every:  
8,000 km (5,000 mi)
  - a. Inspect more often under dusty conditions.
2. Replace air filter element every:  
80,000 km (50,000 mi)
3. **NOTE**

\* The use of cleaning, drying or oiling methods or products other than those shown, damages the filter and can void the manufacturer's warranty.

\* K&N® Air Filter Cleaner is available from a Harley-Davidson dealer, either alone [0.95L (1 qt) sprayer

bottle, Part No. 99883-88T] or as a 0.35L (12 fl oz) sprayer bottle as part of the Filter Care Service Kit (Part No. 99850-92T).

\* K&N Air Filter Oil is also available from a Harley-Davidson dealer, either alone [347 g (12.25 oz) aerosol can, Part No. 99882-88T] or as a 184 g (6.5 oz) aerosol can as part of the Filter Care Service Kit.

\* **DO NOT OVER-OIL THE AIR FILTER.** Over-oiling can interfere with the proper performance of the engine and/or certain engine components. If oil is still draining or dripping from the filter media 20 minutes after oiling, clean and oil the filter element again.

To clean the element:

- a. Loosen the hose clamp retaining the air filter element assembly to the air tube. Separate the element from the air tube.
- b. Tap the element to dislodge any loose dirt. Gently brush with a soft bristle brush.
- c. Spray air filter cleaner liberally onto the cotton filter media and let soak for ten minutes, OR roll or soak the cotton filter media in a shallow pan of air filter cleaner. Remove immediately, and let soak for ten minutes.
- d. Rinse off the filter media (flowing from the **clean** side to the dirty side), with low-pressure tap water.
- e. After rinsing, shake off all excess water, and let the filter media air dry. DO NOT use compressed air or a heat gun to speed drying.

- f. After the filter media is **completely** dry, EITHER carefully use a squeeze bottle to deposit air filter oil along each pleat, once only, OR spray oil along each pleat, once only, holding the spray nozzle away from the media approximately:

76 mm (3 in)

- g. **Let the oil absorb into the filter media for 20 minutes before proceeding.** After 20 minutes, inspect the filter media. Carefully apply oil to any remaining visible white spots on the filter media. Allow oil to absorb.

4. Install air filter element.

- a. Apply threadlocker to screws (1, 2).  
LOCTITE 243 MEDIUM STRENGTH  
THREADLOCKER AND SEALANT (BLUE)  
(99642-97)
- b. See Figure 2. Install air filter element (3) and cover (4).

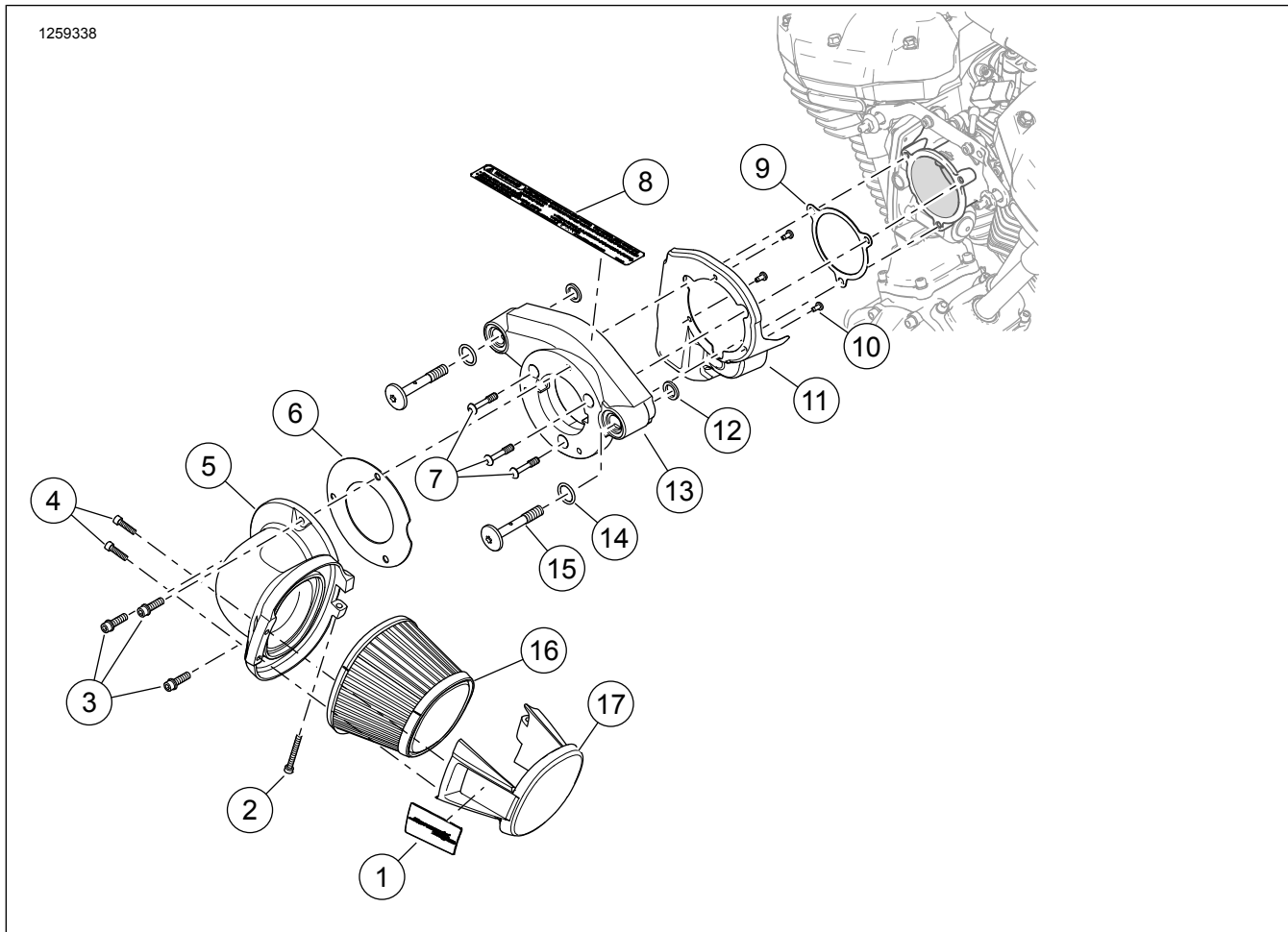
*NOTE*

*Clean mounting surface of filter prior to assembly.*

- c. Install screws (1, 2). Tighten.  
Torque: 2–2.7 N·m (18–24 **in-lbs**) *Air filter cover screw*

# SERVICE PARTS

1259338



**Figure 3. Service Parts: Screamin' Eagle Performance Air Cleaner Kit**

**Table 1. Service Parts**

Item	Description (Quantity)	Part Number
1	Medallion, air cleaner	14101217
2	Screw, sockethead	10200736
3	Screw, hex sockethead, silver (3)	10500130
	Screw, hex sockethead, black (3)	10500129
4	Screw, sockethead, (2)	10200738
	Screw, sockethead, black (2)	10200737
5	Intake tube, chrome	29000328
	Intake tube, black	29000330
6	Gasket	29000227
7	Screw (3)	869
8	Warning label, chrome	29108-08
	Warning label, black	14001624
9	Gasket, backplate	29000149
10	Screw, self tapping (3)	68042-99
11	Cover, throttle	61300616
12	Square ring (2)	11900042
13	Backplate, machined, chrome	29000252
	Backplate, machined, black	29000253
14	O-ring (2)	11900040
15	Bolt, breather, chrome (2)	29400283
	Bolt, breather, black (2)	29400252
16	Air filter element	29400405
17	Cover, air filter element, chrome	61301174
	Cover, air filter element, black	61301175