



INSTRUCTIONS

94100011

2021-03-10



MOTORCYCLE TPMS KIT

Table 1. General Information

Kits	Suggested Tools	Skill Level ⁽¹⁾	Time
42300124A, 42300150	Safety glasses, Torque wrench		1 hour

(1) DTII and dealer installation required

KIT CONTENTS

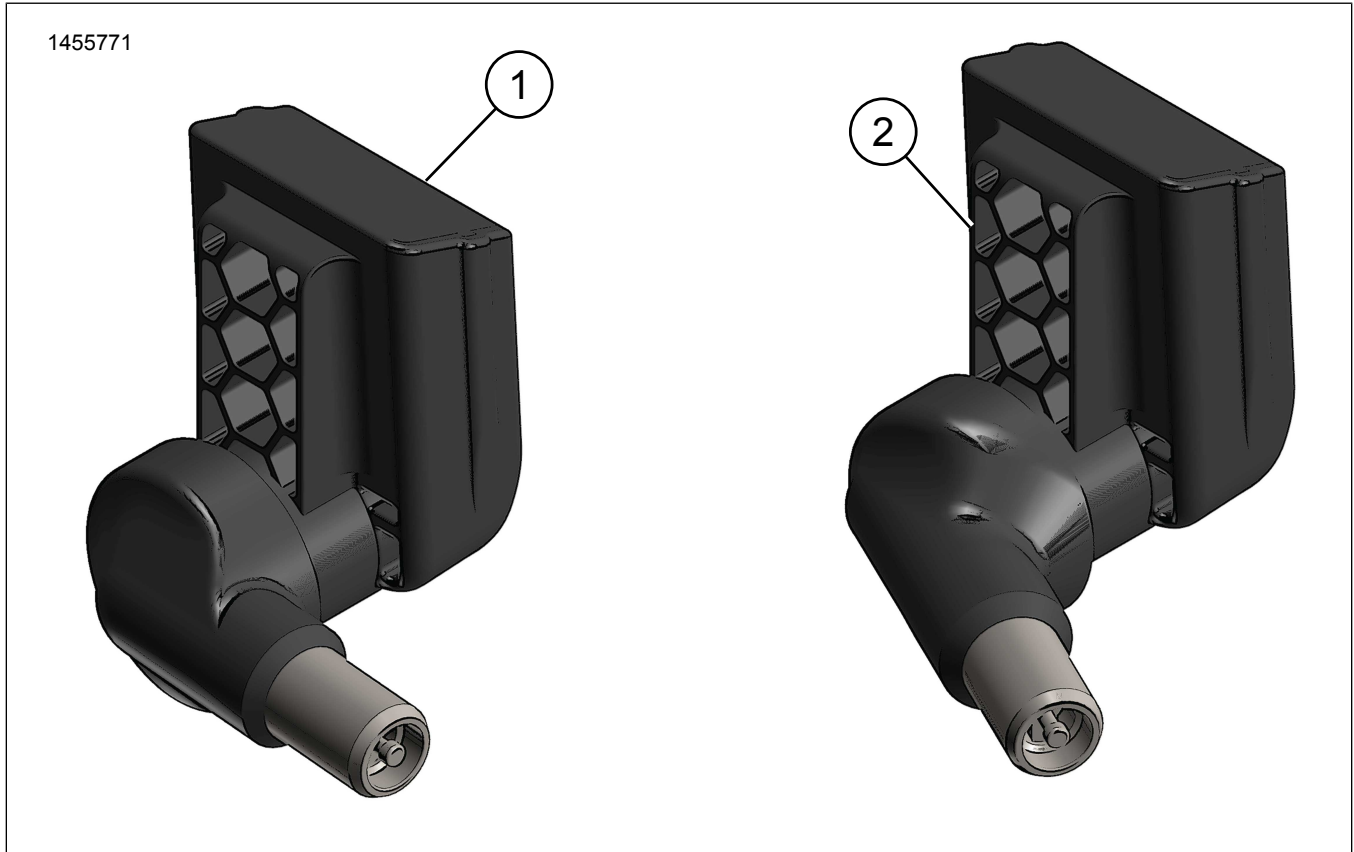


Figure 1. Service Parts: Tire Pressure Monitor

Table 2. Service Parts List: Tire Pressure Monitor

<input checked="" type="checkbox"/>	Item	Qty	Description	Part No.	Notes
<input type="checkbox"/>	1	2	Monitor, tire pressure, Kit 42300124A	42300142	2.6–3 N·m (23–27 in-lbs)
<input type="checkbox"/>	2	2	Monitor, tire pressure, Kit 42300150	42300145	2.6–3 N·m (23–27 in-lbs)

NOTE

Verify all contents are present in the kit before installing or removing items from vehicle.

GENERAL

Models

Model fitment information:

- MY20 and later OEM/Stock Touring wheels (42300124A)
- MY21 and later OEM/Stock Pan America wheels:
 - a. Kit 42300124A: for cast wheels
 - b. Kit 42300150: for laced wheels

For model fitment information, see the P&A Retail Catalog or the Parts and Accessories section of www.harley-davidson.com (English only).

Verify you are using the most current version of the instruction sheet which is available at: www.harley-davidson.com/isheets

Contact Harley-Davidson Customer Support Center at 1-800-258-2464 (U.S. only) or 1-414-343-4056.

NOTE

This instruction sheet references service manual information. A service manual for your model motorcycle is required for this installation and is available from a Harley-Davidson dealer.

Installation Requirements

▲ WARNING

Rider and passenger safety depend upon the correct installation of this kit. Use the appropriate service manual procedures. If the procedure is not within your capabilities or you do not have the correct tools, have a Harley-Davidson dealer perform the installation. Improper installation of this kit could result in death or serious injury. (00333b)

This TPMS kit can only be installed on models equipped with a TPMS instrument module.

INSTALL

1. Install tire pressure monitor. See service manual.
2. Assign pressure sensors to BCM using both tools:
 - Special Tool: TPMS ACTIVATION TOOL (HD-51794)
 - Special Tool: DIGITAL TECHNICIAN II (HD-48650)