



INSTRUCTIONS

94100069

2023-07-28



TACTICAL TREKKER - SKID PLATE

GENERAL INFORMATION

Table 1. General Information

Kits	Suggested Tools	Skill Level ⁽¹⁾
49000191	Safety Glasses, Torque Wrench	

(1) Tightening to torque value or other moderate tools and techniques required

KIT CONTENTS

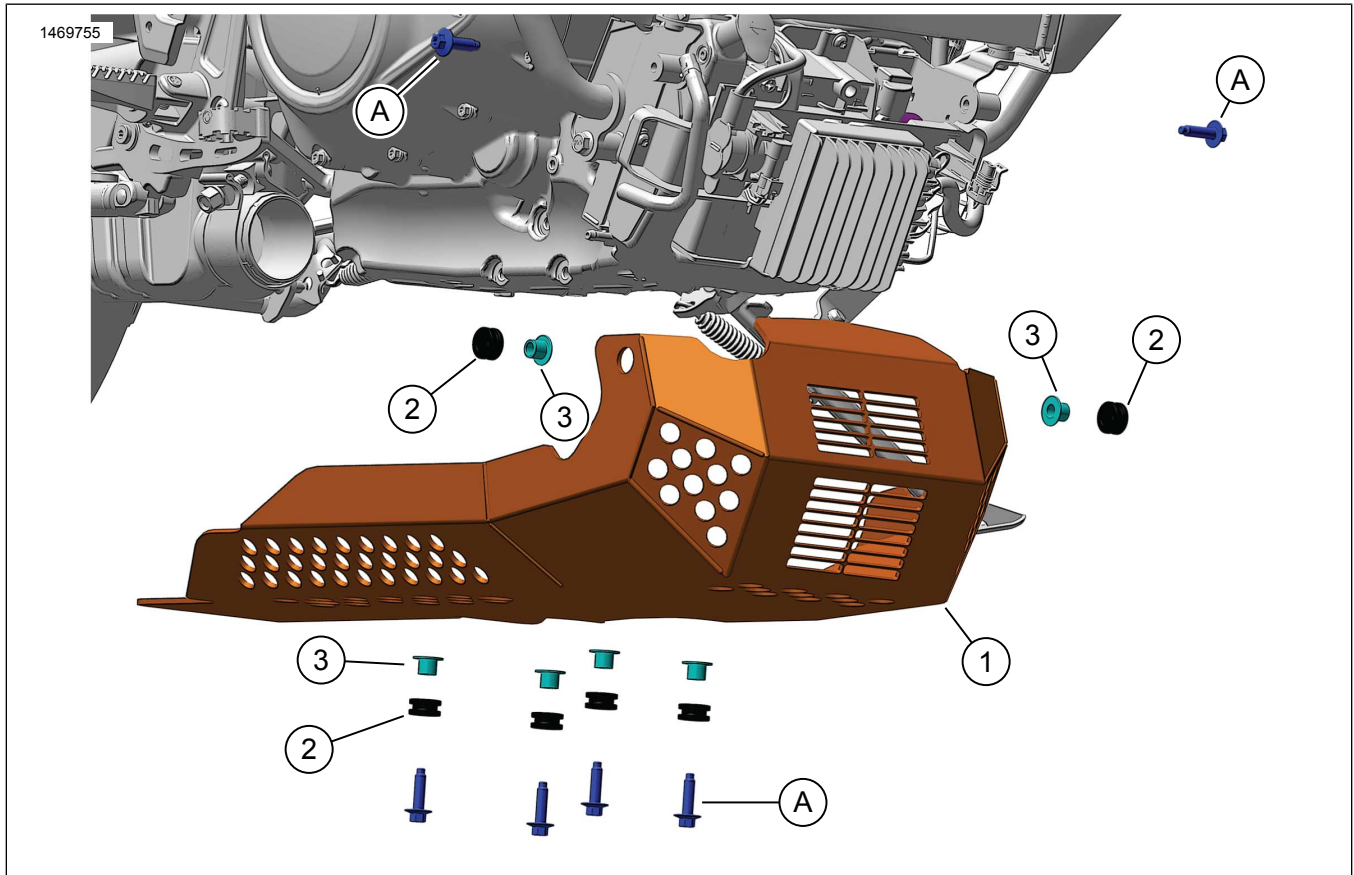


Figure 1. Kit Contents: Tactical Trekker - Skid Plate (Not Assembled in This Order)

Table 2. Kit Contents: Tactical Trekker - Skid Plate

Verify that all contents are present in the kit before installing or removing items from vehicle.					
<input checked="" type="checkbox"/>	Item	Qty	Description	Part No.	Notes
<input type="checkbox"/>	1	1	Skid plate	Not sold separately	
<input type="checkbox"/>	2	6	Grommet	12100166	
<input type="checkbox"/>	3	6	Spacer	12400190	
Items mentioned in text, but not included in kit					
<input checked="" type="checkbox"/>	A	6	Original Equipment (OE) Screw		

GENERAL

Models

For model fitment information, see the Parts and Accessories (P&A) Retail Catalog or the Parts and Accessories section of www.harley-davidson.com.

Verify that the most current version of the instruction sheet is used. It is available at: h-d.com/isheets

Contact Harley-Davidson Customer Support Center at 1-800-258-2464 (U.S. only) or 1-414-343-4056.

Installation Requirements

▲ WARNING

Rider and passenger safety depend upon the correct installation of this kit. Use the appropriate service manual procedures. If the procedure is not within your capabilities or you do not have the correct tools, have a Harley-Davidson dealer perform the installation. Improper installation of this kit could result in death or serious injury. (00333b)

NOTE

This instruction sheet references service manual information. A service manual for the year and model motorcycle is required for this installation and is available from:

- A Harley-Davidson dealer.
- H-D Service Information Portal, a subscription-based access available for most 2001 and newer models. For more information see Frequently ask questions about subscriptions.

PREPARE

1. See Figure 2. Verify the assemble of the skid plate (1).

NOTE

Spacers (3) are required to be installed from inside facing outward.

- a. Install grommet (2).
- b. Install spacer (3).

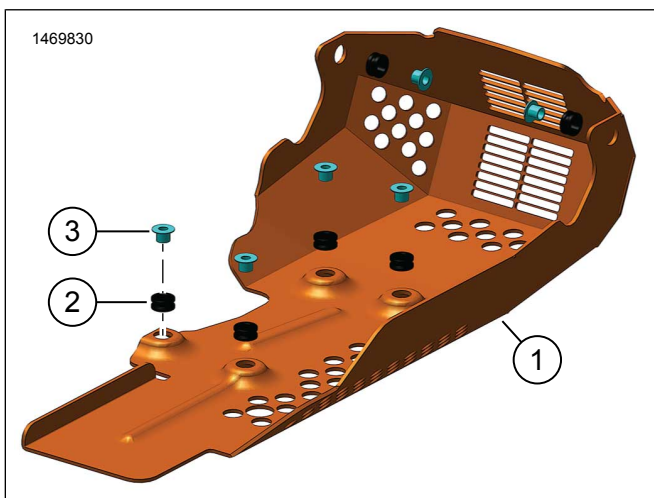


Figure 2. Assembly of Skid Plate

REMOVE

1. Remove OE skid plate. See the service manual.
 - a. Place OE screws (A) aside for future use.

INSTALL

1. See Figure 3. Position **new** skid plate (1) assembly.

NOTE

If heat shield is present on catalyst, loosen, rotate and tighten clamps in a position were they do not interfere with skid plate or remove heat shield and clamps completely.

2. Install all OE screws (A). Hand tighten.
3. Verify fitment of skid plate.
4. Tighten all screws. See the service manual.

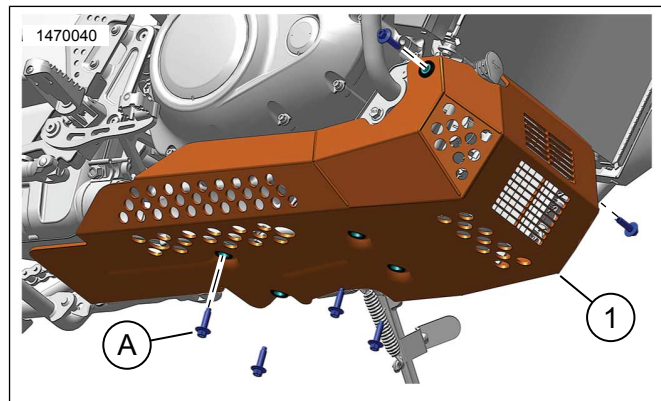


Figure 3.