



# INSTRUCTIONS

94100223

2021-09-01



## LED CORNERING LAMP

### GENERAL INFORMATION

Table 1. General Information

Kits	Suggested Tools	Skill Level <sup>(1)</sup>	Time
69202757	Digital Technician II (DT II), Safety glasses, Sockets, Wrenches, Cutters, Torque wrench		6 hours
<i>(1) DTII and dealer installation required</i>			

### KIT CONTENTS

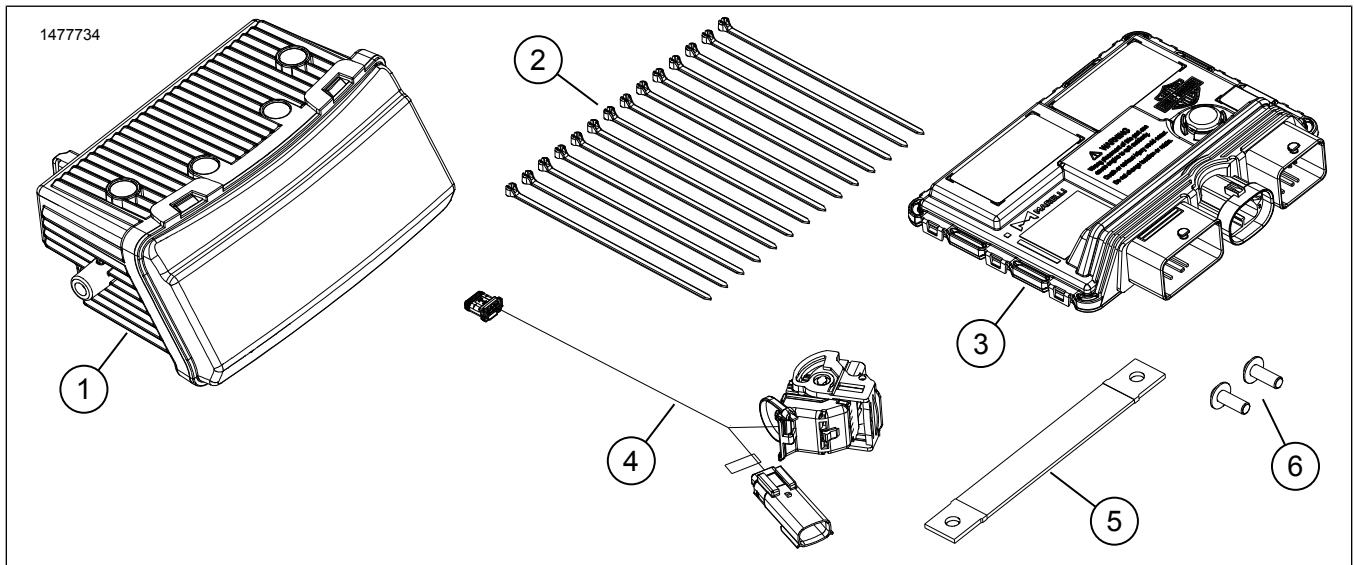


Figure 1. Kit Contents: LED Projector Bank Cornering Lamp Components

Table 2. Kit Contents: LED Projector Bank Cornering Lamp Components

<input checked="" type="checkbox"/>	Item	Qty	Description	Part No.	Notes
<input type="checkbox"/>	1	1	LED Projector bank cornering lamp	67700517	
<input type="checkbox"/>	2	14	Cable strap	10065	
<input type="checkbox"/>	3	1	Body control module (BCM)	41000674	
<input type="checkbox"/>	4	1	Wire harness	69202744	Service component for 69202744
<input type="checkbox"/>		2	Round cable ferrite core	69202973	
<input type="checkbox"/>	5	1	Ground strap	69202535	
<input type="checkbox"/>	6	2	Screw, button head	10200924	

#### NOTE

Verify that all contents are present in the kit before installing or removing items from vehicle.

## GENERAL

### Models

For model fitment information, see the P&A Retail Catalog or the Parts and Accessories section of [www.harley-davidson.com](http://www.harley-davidson.com) (English only).

Verify that the most current version of the instruction sheet is used. It is available at: [www.harley-davidson.com/isheets](http://www.harley-davidson.com/isheets)

Contact Harley-Davidson Customer Support Center at 1-800-258-2464 (U.S. only) or 1-414-343-4056.

### Installation Requirements

#### ⚠ WARNING

After installing seat, pull upward on seat to be sure it is locked in position. While riding, a loose seat can shift causing loss of control, which could result in death or serious injury. (00070b)

#### ⚠ WARNING

Be sure to use the specified wiring harness. Failure to use the specified wiring harness can cause unintended loss of power to the front or rear lights, reducing rider visibility, which could result in death or serious injury. (06709a)

#### NOTE

*This instruction sheet references service manual information. A service manual for the year and model motorcycle is required for this installation and is available from:*

- A Harley-Davidson dealer.
- H-D Service Information Portal, a subscription-based access available for most 2001 and newer models. For more information see *Frequently ask questions about subscriptions*.

### Standard Current Draw

#### ⚠ WARNING

When installing any electrical accessory, be certain not to exceed the maximum amperage rating of the fuse or circuit breaker protecting the affected circuit being modified. Exceeding the maximum amperage can lead to electrical failures, which could result in death or serious injury. (00310a)

#### ⚠ WARNING

For BCM (Body Control Module) equipped motorcycles, be sure to use the specified BCM headlamp setting. Failure to set the BCM correctly can cause unintended loss of power to the headlamp, reducing rider visibility, which could result in death or serious injury. (06708a)

#### NOTICE

It is possible to overload the vehicle's charging system by adding too many electrical accessories. If the combined electrical accessories operating at any one time consume more electrical current than the vehicle's charging system can produce, the electrical consumption can discharge the battery and cause damage to the vehicle's electrical system. (00211d)

The headlamp installed with this kit requires a total of up to 6 amps of current from the electrical system.

### PREPARE

#### ⚠ WARNING

To prevent accidental vehicle start-up, which could cause death or serious injury, disconnect battery cables (negative (-) cable first) before proceeding. (00307a)

#### ⚠ WARNING

Disconnect negative (-) battery cable first. If positive (+) cable should contact ground with negative (-) cable connected, the resulting sparks can cause a battery explosion, which could result in death or serious injury. (00049a)

#### ⚠ WARNING

To prevent accidental vehicle start-up, which could cause death or serious injury, remove main fuse before proceeding. (00251b)

1. Remove main fuse. See service manual.
2. Remove front and rear seat. See service manual.
3. Remove fuel tank. See service manual.
4. Remove airbox assembly. See service manual.
  - a. To prevent debris from entering the engine, cover fuel induction module.
5. Remove left front electrical caddy cover. See service manual.
6. Remove fairing. See service manual.
7. Remove cowl. See service manual.

### REMOVE

1. Remove Body Control Module (BCM). See service manual.
2. See Figure 3. Remove cowl cover.
  - a. Remove screws (1).
  - b. Remove and discard cowl cover (2).

### INSTALL

1. See Figure 2. Install **new** BCM (4). See service manual.
2. See Figure 4. Install ground strap (1).
3. Install screws (2). Tighten.  
Torque: 8–10 N·m (71–89 in-lbs) *Ground strap screw*
4. See Figure 5. Install cornering lamp (3).

5. Install screws (1). Tighten.  
Torque: 8–10 N·m (71–89 **in-lbs**) *Cornering lamp screw*
6. See Figure 2. Remove plug (2) from P&A connector (1).
7. See Figure 6. Install LED adaptive headlamp harness:
  - a. Connect [325A] to vehicle P&A connector.
  - b. Connect [C242B-C] to vehicle BCM.
8. Route harness and headlamp connector (3) along with the main harness on the inside of the left frame rail toward the headlamp.
  - a. Exit through left front electrical caddy cover area.
  - b. Follow routing of existing harness to headlamp.
9. See Figure 6. Connect cornering lamp connector (3).
10. Secure with cable straps as needed.
11. Ensure dynamic movement of harnessing and other parts behind the lamp will not be restricted by moving handlebars from fork lock left to fork lock right.

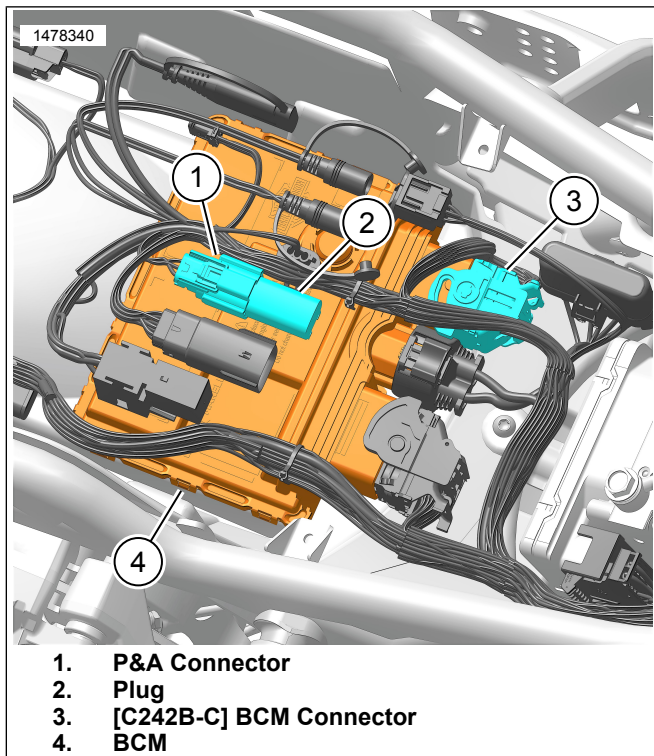


Figure 2. BCM Connections

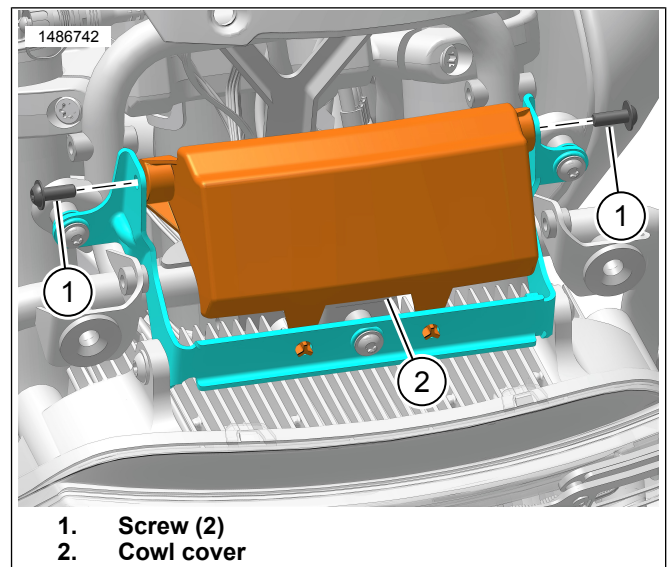


Figure 3. Blockout Plate

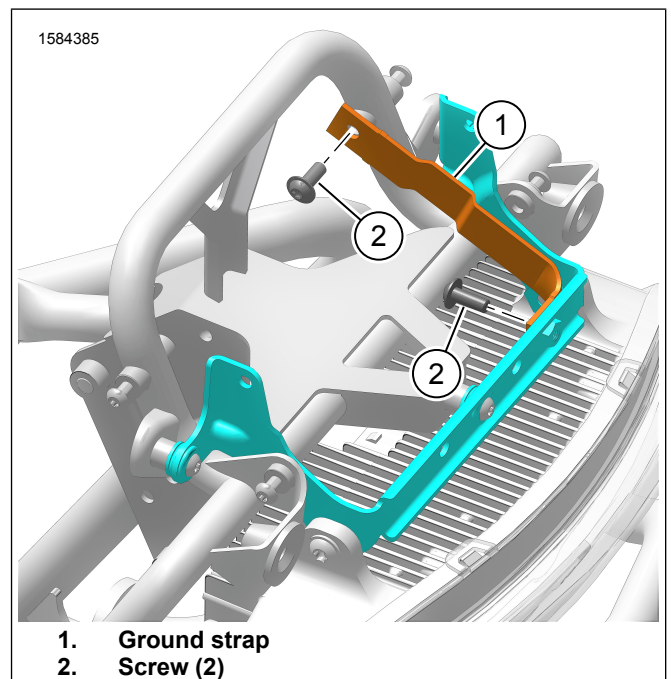


Figure 4. Ground Strap

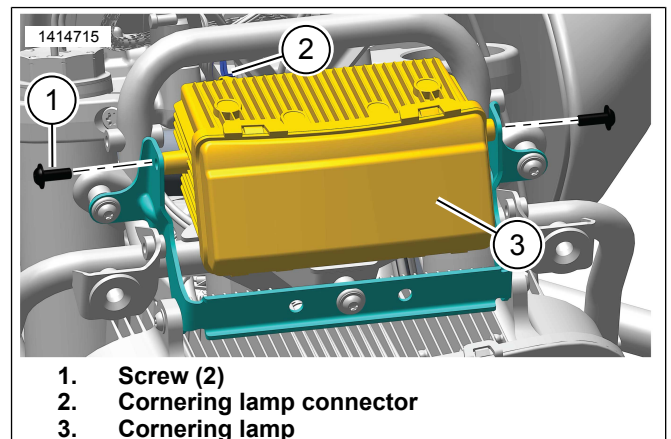


Figure 5. Cornering Lamp

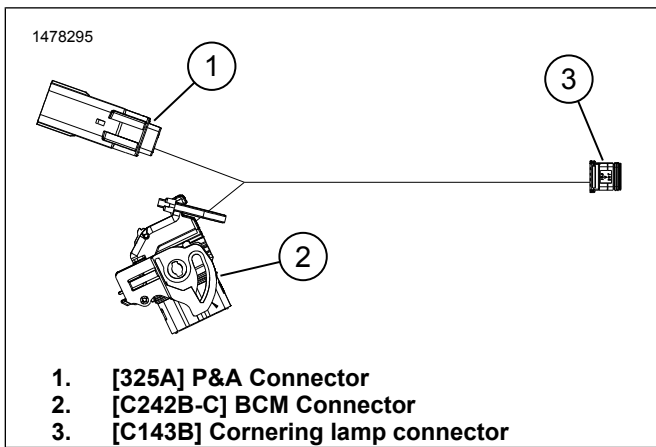


Figure 6. LED Adaptive Headlamp Harness

## COMPLETE

### NOTE

Vehicle needs to be in motion to enable full operation of bank angle lighting. This procedure is a test to verify that the circuit is operating properly.

1. Configure **new** Body Control Module BCM using special tool.
  - Special Tool: DIGITAL TECHNICIAN II (HD-48650)
    - a. Select VEHICLE SETUP icon.
    - b. Follow on-screen prompts.
2. Install cowl. See service manual.
3. Install fairing. See service manual.
4. Install left front electrical caddy cover. See service manual.
5. Install airbox assembly. See service manual.
6. Install fuel tank. See service manual.
7. Install front and rear seat. After installing seat, pull up on the seat to verify that it is secure. See service manual.
8. Install main fuse. See service manual.

## Check Bank Angle Light Alignment

1. Place vehicle in accessory mode.
  - a. See Figure 7. With security fob present, press and hold the TRIP switch (1), release.
2. Access settings menu.
  - a. See Figure 7. Press menu button (2) on Left Hand Control Module (LHCM).
  - b. See Figure 8. Settings menu will display.

3. To check bank angle lighting, navigate to aiming ready menu. SETTINGS > RIDE CUSTOMIZATION > BANK LAMP AIMING > AIMING READY.
4. See Figure 9. If bank angle lights do not align as shown, adjustment is necessary.
  - a. See Figure 10. Loosen bank angle lamp screws.
  - b. See Figure 9. Set vertical adjustment.
  - c. See Figure 10. Tighten screws.

Torque: 8–10 N·m (71–89 in-lbs) Bank angle lamp screw

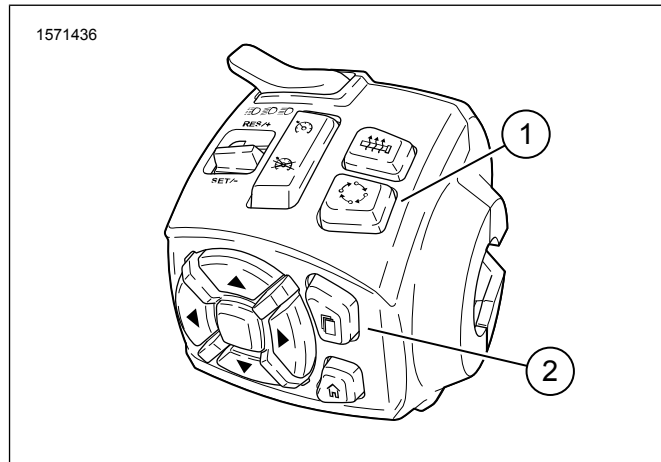
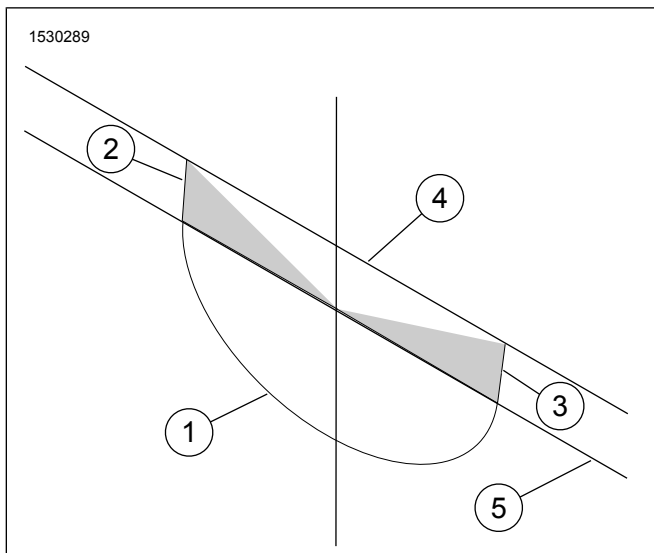


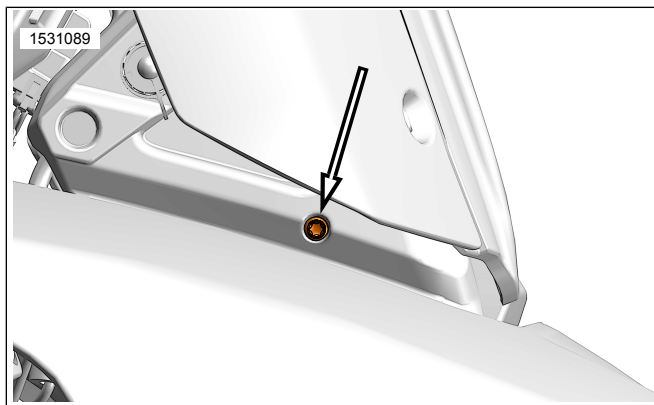
Figure 7. Left Hand Control Module



Figure 8. Settings Menu



**Figure 9. Bank Angle Light Pattern**



**Figure 10. Bank Angle Light Screw (right side shown)**

### **Service Wire Harness 69202744**

1. See Figure 6. Remove connector (3). See Electrical Diagnostic Manual.
2. See Figure 1. Replace round cable ferrite core (4) as needed.
3. Install connector (3). See Electrical Diagnostic Manual.