



INSTRUCTIONS

94100265

2020-09-17



DETACHABLES LOCK KITS

GENERAL

Kit Numbers

92800008, 92800009

Models

For model fitment information, see the P&A retail catalog or the Parts and Accessories section of www.harley-davidson.com (English only).

Installation Requirements

Separate purchase of additional parts or accessories may be required for proper installation of this kit on certain model motorcycles. See the P&A retail catalog or the Parts and Accessories section of www.harley-davidson.com (English only) for a list of required items for a specific model.

NOTE

Use one latch per accessory installation. A second latch is included for an additional accessory.

Kit Contents

See Figure 9 and Table 2.

PREPARATION

1. Refer to Table 1 to determine the installation configuration for a specific model, year and type of detachable.

LATCH SWAP

On certain models and accessories, first swap the right and left non-locking latches (see Table 1 to determine if this is recommended for your application). This will change the clockwise and counterclockwise motion to attach and remove the accessory. By changing the latch rotation, the lock mechanism points toward the rear of the vehicle and provide greater key access.

1. See Figure 1. Remove right non-locking latch (1). Leave right spring washer (5) on right mounting hub (2).
2. Remove left non-locking latch (3). Leave left spring washer (6) on left mounting hub (4). Install left non-locking latch (3) on right mounting hub (2).
3. Install right non-locking latch (1) on left mounting hub (4).

REMOVAL

1. Remove the detachable accessory by pressing the release button on each side pulling the latch levers back. Lift the rear of the accessory up removing the rack from the front docking points.

2. See Figure 2. Remove screw (1) and washer (2) from the latch being replaced. Save the screw and washer for installation.

NOTE

Some accessories have **two** washers per side. Save both.

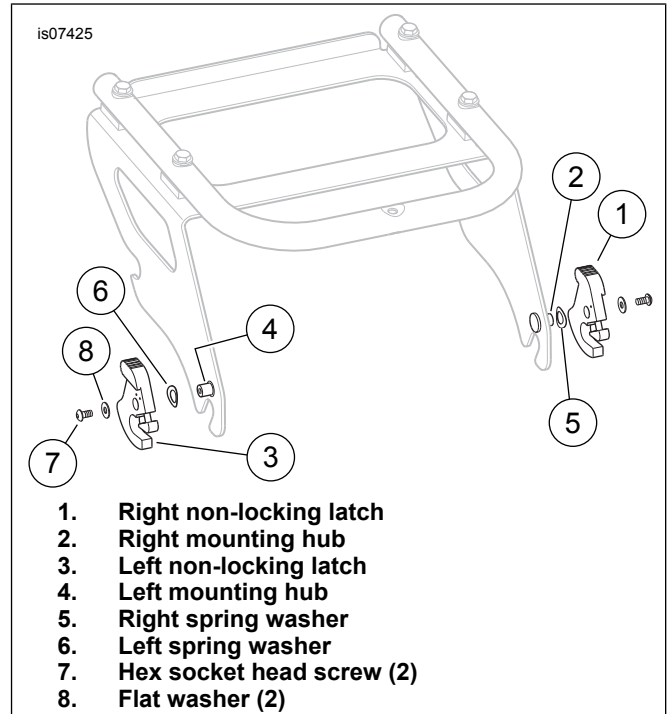


Figure 1. Latch Swap (Before Swap Configuration Shown)

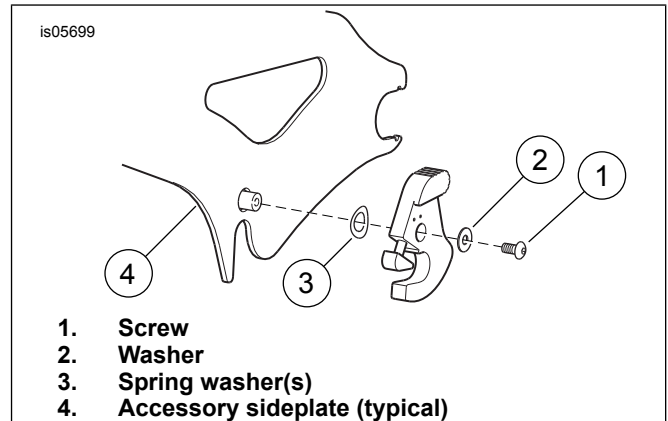


Figure 2. Remove Latch (Outer Right Installation Shown)

INSTALLATION

Table 1. Installation Table

Model	Fitment	Detachable*	Installation
Sportster	1994 - 2003	Sideplate Kit	See Figure 7, Inner Right Installation (Relief Hidden)
	2004 - Later	Sideplate Kit	See Figure 8, Latch Swap and Inner Right Installation
	1994 - Later	Solo Rack Kit	See Figure 7, Inner Right Installation (Relief Hidden)
Softail	1984 - Later	Sideplate Kit	See Figure 7, Inner Right Installation (Relief Hidden)
	1984 - Later (except FXCW/C)	Solo Rack Kit	See Figure 7, Inner Right Installation (Relief Hidden)
	2006 - Later (except 2011 - Later FLS/FXS)	One-Piece Sissy Bar Kit	See Figure 7, Inner Right Installation (Relief Hidden)
	2011 - Later FLS/FXS	One-Piece Sissy Bar Kit	See Figure 6, Inner Left Installation
	2000 - Later	Tour-Pak (2-Up or Solo)	See Figure 6, Inner Left Installation
Dyna	1996 - Later (including 1993 - Later FXDWG) (except 2012 - Later FLD)	Sideplate Kit	See Figure 7, Inner Right Installation (Relief Hidden)
	2012 - Later FLD	Sideplate Kit	See Figure 6, Inner Left Installation
	2006 - Later	One-Piece Sissy Bar Kit	See Figure 7, Inner Right Installation (Relief Hidden)
		Solo Rack Kit	See Figure 7, Inner Right Installation (Relief Hidden)
		Sissy Bar Upright Kit	See Figure 6, Inner Left Installation
Touring	2009 - Later	Two-Up Luggage Rack Kit	See Figure 4, Outer Left Installation, OR Figure 3, Outer Right Installation
		Two-Up Tour-Pak Rack	See Figure 3, Outer Right Installation
		Sissy Bar Upright Kit	See Figure 3, Outer Right Installation
	1994 - 2008	Two-Up Luggage Rack Kit	See Figure 1, Latch Swap AND Figure 5, Inner Right Installation
		Solo Luggage Rack Kit	See Figure 3, Outer Right Installation
	1997 - 2008	Two-Up Tour-Pak Rack	See Figure 1, Latch Swap AND Figure 5, Inner Right Installation
		Solo Tour-Pak Rack	See Figure 1, Latch Swap AND Figure 4, Outer Left Installation

* For detachable part numbers, see the P&A catalog.

See Figure 9. Depending on the installed detachable, the position of the relief (A) and undercuts (B) are used as spacers or docking point mounts. Verify that the locking latch is positioned so there is key access for unlocking the latch.

NOTE

Verify that the locking latch is in the unlocked position before installation. Do not leave the key inserted in the locking latch during assembly.

Detachable styles may vary from illustrations.

Outer Right Installation

NOTE

Verify that the outer right latch rotates clockwise to close (counterclockwise to open). If not, see **Outer Left Installation**.

1. Remove right non-locking latch.
2. See Figure 3. Install original spring washer (2) on mounting hub.

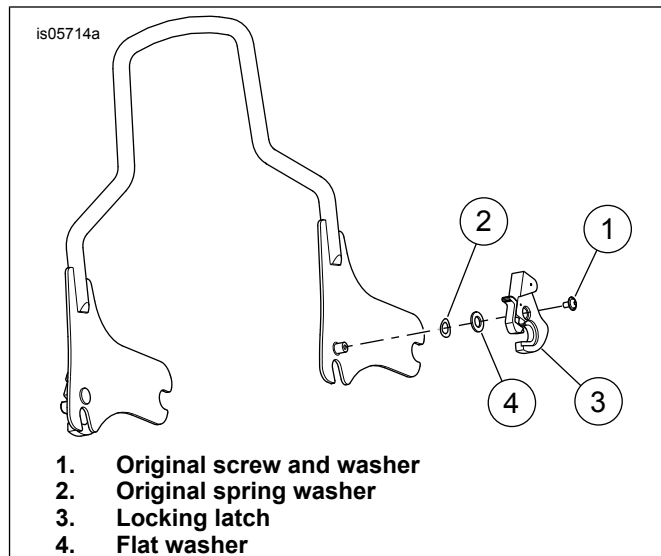


Figure 3. Outer Right Installation

3. Install flat washer (4) from kit on mounting hub.
4. Install latch with relief **away** from the outer right sideplate.
5. Install original screw and washer (1).
6. Tighten screw.

Torque: 3.4–4.5 N·m (30–40 **in-lbs**) Hex socket head screw

Outer Left Installation

NOTE

Verify that the outer left latch rotates clockwise to close (counterclockwise to open). If not, see **Outer Right Installation**.

1. See Figure 4. Remove left non-locking latch and discard.
2. Install flat washer (5) from kit over spring washer on left mounting hub.
3. Install locking latch (3) on left mounting hub with relief **away** from the sideplate.
4. Install original screw (1) and washer (2).
5. Tighten screw.

Torque: 3.4–4.5 N·m (30–40 **in-lbs**) *Hex socket head screw*

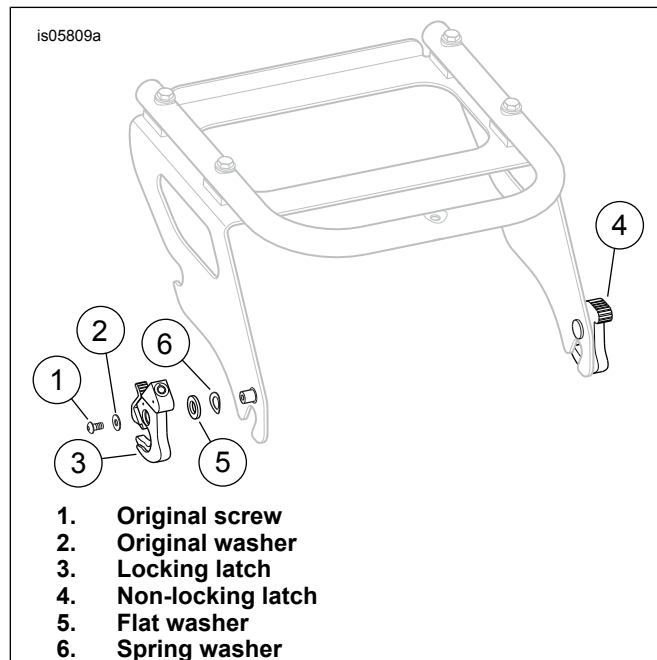


Figure 4. Outer Left Installation

Inner Right Installation

1. See Figure 5. Remove right non-locking latch and discard.
2. Install flat washer (4) from kit over spring washer on right mounting hub.
3. Install latch with relief **away** from the sideplate.
4. Install original screw and washer (1).
5. Tighten screw.

Torque: 3.4–4.5 N·m (30–40 **in-lbs**) *Hex socket head screw*

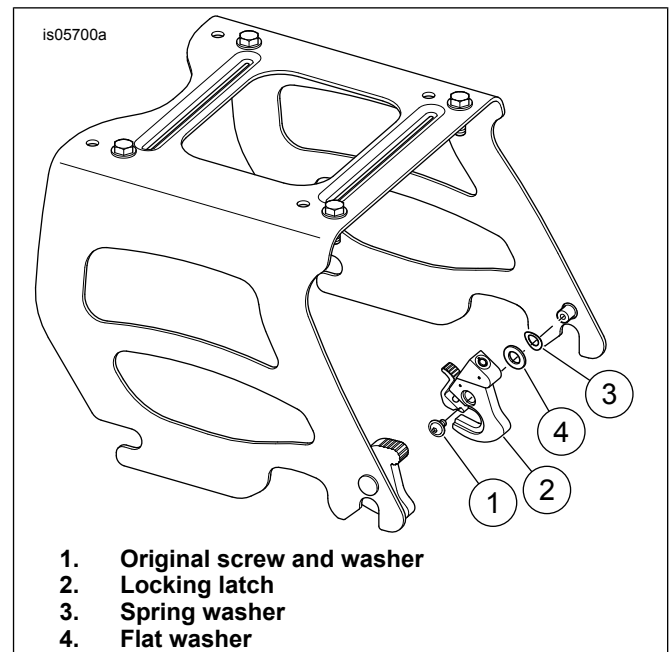


Figure 5. Inner Right Installation

Inner Left Installation

1. Remove left non-locking latch.
2. See Figure 6. Install spring washer (3) on left mounting hub.
3. Install flat washer (4) from kit on mounting hub.
4. Install latch with relief **away** from the inner left sideplate.
5. Install original screw and washer (1).
6. Tighten screw.

Torque: 3.4–4.5 N·m (30–40 **in-lbs**) *Hex socket head screw*

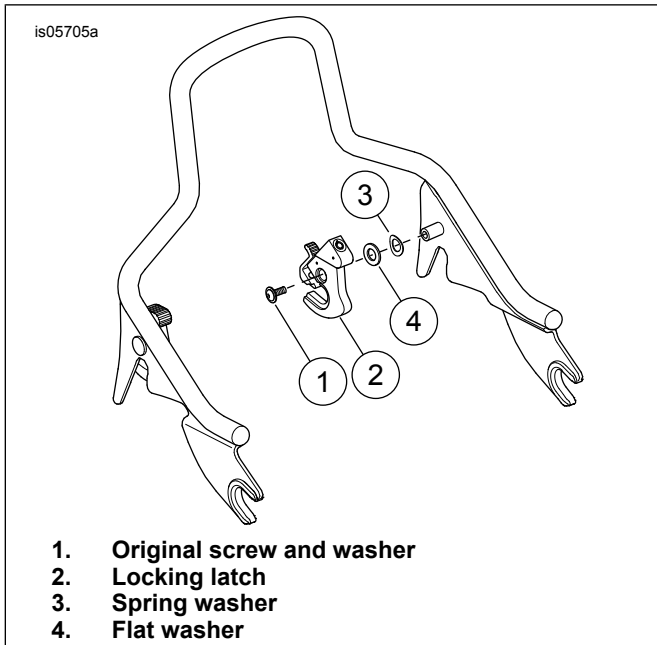


Figure 6. Inner Left Installation

Inner Right (Relief Hidden) Installation

1. See Figure 7. Remove right non-locking latch. Leave the right spring washer on the right mounting hub.
2. Install locking latch with relief **facing** right sideplate. DO NOT use the spacer from the kit.
3. Install original screw and washer.
4. Tighten screw.
Torque: 3.4–4.5 N·m (30–40 in-lbs) Hex socket head screw

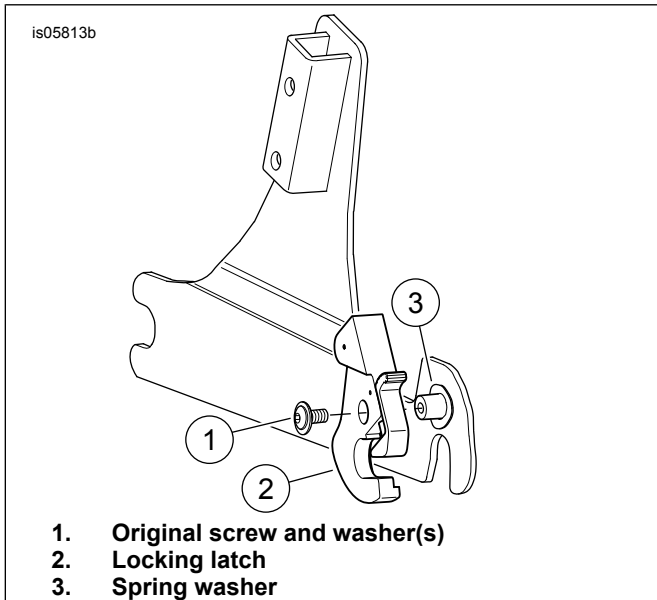


Figure 7. Inner Right (Relief Hidden) Installation

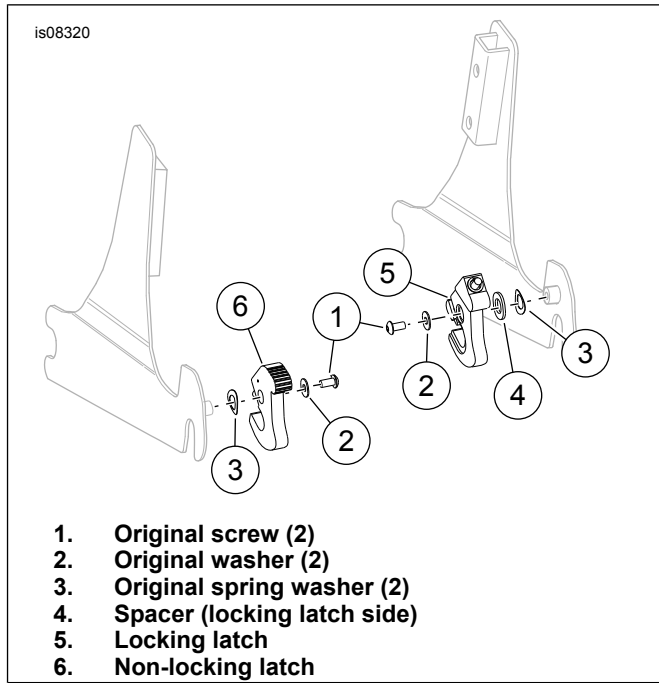


Figure 8. Inner Right Installation

OPERATION

Locking and Unlocking the Latch

NOTE

Make sure that the key is not in the latch during installation of the detachable.

Key is not required to lock the latch.

1. **Locking the Latch:** See Figure 9. When the detachable is installed, push the spring-operated lock (C).

NOTE

Keep the key (3) aligned with the post of the release button (D) while unlocking the latch. Avoid bending or breaking the key or the shaft.

2. **Unlocking the Latch:** Insert the key in the lock and turn it gently clockwise 1/8 of a turn. Turn the key counterclockwise 1/8 of a turn and remove key.

SERVICE PARTS

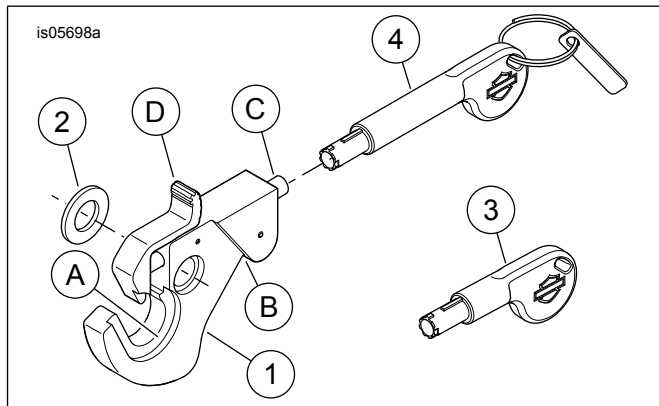


Figure 9. Service Parts: Detachables Lock Kits

Table 2. Service Parts: Detachables Lock Kits

Item	Description (Quantity)	Part Number
Kit Number 92800008		
1	Latch, locking, black (2)	Not sold separately
2	Flat washer (2)	Not sold separately
3	Key, short (1)	Refer to Table 3.
4	Key, long (1)	Refer to Table 3.
Kit Number 92800009		
1	Latch, locking, chrome (2)	Not sold separately
2	Flat washer (2)	Not sold separately
3	Key, short (1)	Refer to Table 3.
4	Key, long (1)	Refer to Table 3.
Items referenced in text:		
A	Relief	
B	Undercut (2)	
C	Lock, spring-operated	
D	Release button	

HARLEY-DAVIDSON KEY REPLACEMENT PROGRAM

Key Replacement

NOTE

- Always separate the keys and the key tags.
- Copy the key number in the space provided.
- Store this document in a safe place.

Replacement keys can only be obtained through an authorized Harley-Davidson dealership.

Replacement keys are sold in pairs. (One short key and one long key rung together.) Need key code to know which part number to order.

Harley-Davidson Key Number: _____

Purchase Date: _____

Table 3.

Key Code	H-D Part Number
2391	90300178
2392	90300179
2393	90300180
2394	90300181
2395	90300182
2396	90300183
2397	90300184
2398	90300185