



INSTRUCTIONS

94100308

2023-02-08



DETACHABLE TOUR-PAK LUGGAGE CONVERSION KIT, 2014 AND LATER FL TOURING MODELS

GENERAL INFORMATION

Table 1.

| Kits | Suggested Tools | Skill Level | Time |
|--|---|-------------|------|
| 53000916, 53000917, 53001012, 53001013 | Safety glasses, Torque wrench, Grease pencil, Isopropyl alcohol | | |

KIT CONTENTS

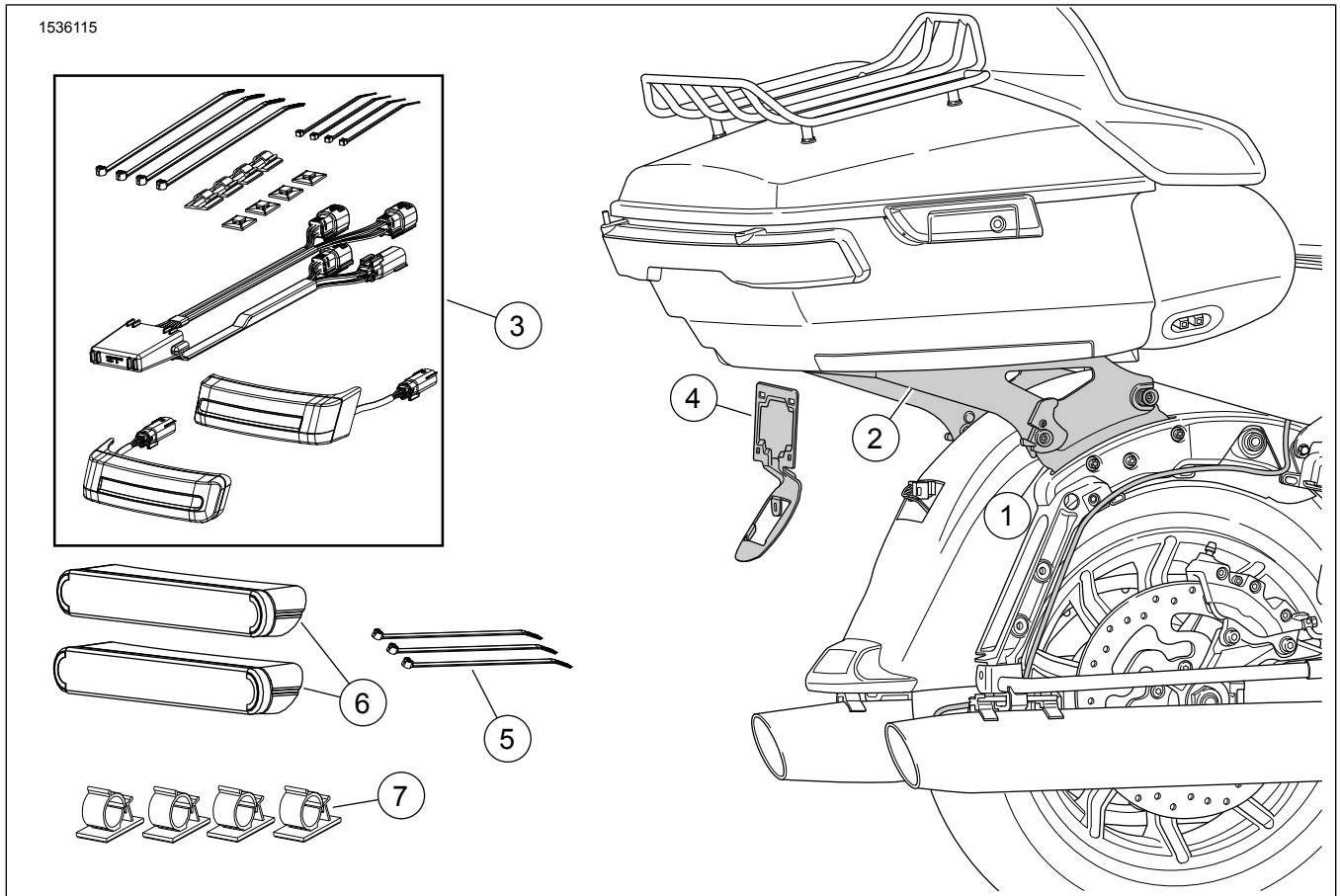


Figure 1. Kit Contents: Detachable Tour-Pak Mounting Rack

Table 2. Kit Contents

| <input checked="" type="checkbox"/> | Item | Qty | Description | Kit Number | Part No. | Notes |
|-------------------------------------|------|-----|------------------------------|-----------------------|----------|-------|
| <input type="checkbox"/> | 1 | 1 | Docking Hardware Kit | 53000917 | 52300353 | |
| | | | | 53000916 | 52300354 | |
| <input type="checkbox"/> | 2 | 1 | Detach Kit, Tour-Pak Rack | 53000917 | 53000221 | |
| | | | | 53000916 | 53000459 | |
| <input type="checkbox"/> | 3 | 1 | Auxiliary Tail Lamp Kit | 53000916, 53000917 | 67801023 | |
| <input type="checkbox"/> | 4 | 1 | Bracket, license plate | 53000917 | 67900167 | |
| | | | | 53000916 | 67900362 | |
| <input type="checkbox"/> | 5 | 3 | Cable strap | | 10006 | |
| <input type="checkbox"/> | 6 | 2 | Reflector | | 67900256 | |
| <input type="checkbox"/> | 7 | 4 | Clip, wire harness retaining | | 69202780 | |
| <input type="checkbox"/> | 8 | 1 | Auxiliary tail lamp kit | 53001012, 53001013 | 67801446 | |

NOTE

Verify all contents are present in the kit before installing or removing items from vehicle.

GENERAL

Models

For model fitment information, see the P&A retail catalog or the Parts and Accessories section of www.harley-davidson.com (English only).

Ensure you are using the most current version of the instruction sheet which is available at: www.harley-davidson.com/isheets

Installation Requirements

NOTE

If an external antenna is still being used, see below.

These items are available at your local Harley-Davidson dealership.

- **Models with CB:** Require a CB Antenna Relocation Kit (Part No. 76000308).
- **Vehicles with AM/FM Antenna:** Optional purchase of Antenna Relocation Kit (Part No. 76000582).
- **Vehicles with AM/FM Antenna:** Optional purchase of Internal Hidden Antenna (Part No. 76000862). This option can be installed in the Tour-Pak or Front Fairing for a cleaner appearance.

Separate purchase and installation of more parts or accessories could be required for proper installation of this kit on your model motorcycle. See the P&A retail catalog or the Parts and Accessories section of www.harley-davidson.com (English only) for required parts or accessories.

⚠ WARNING

Rider and passenger safety depend upon the correct installation of this kit. Use the appropriate service manual procedures. If the procedure is not within your capabilities or you do not have the correct tools, have a Harley-Davidson dealer perform the installation. Improper installation of this kit could result in death or serious injury. (00333b)

PREPARE

1. Remove seat. See service manual.
2. Remove saddlebags. See service manual.
3. Remove left side cover. See service manual.

⚠ WARNING

To prevent accidental vehicle start-up, which could cause death or serious injury, remove main fuse before proceeding. (00251b)

4. **NOTE**
WITH security siren: With security fob present, turn ignition switch ON. Turn ignition switch OFF. **IMMEDIATELY** remove the main fuse.

Remove main fuse. See service manual.

5. **NOTE**
Slots in Tour-Pak support allow position adjustment. Record position before removal.

NOTE

APC models offer no adjustment. The adapter plate locates Tour-Pak to meet market regulations.

Remove Tour-Pak®.

- a. See Figure 2. Separate electrical connectors.

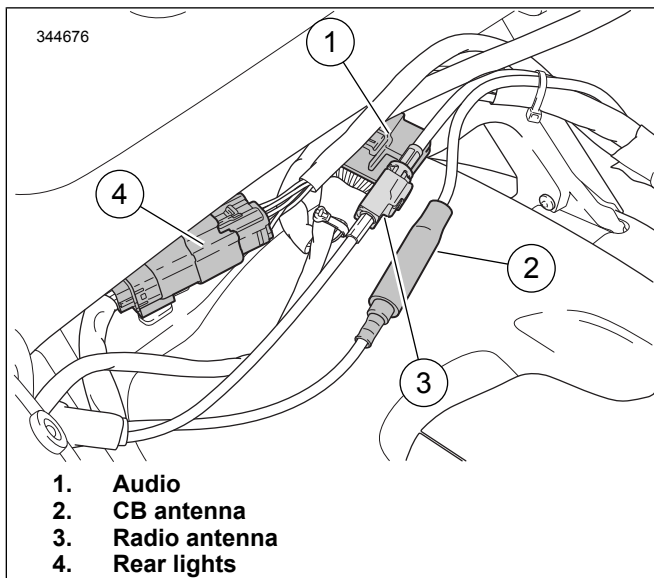


Figure 2. Tour-Pak Connectors

- b. See Figure 3. Remove flange nuts (3) securing Tour-Pak to support rack.

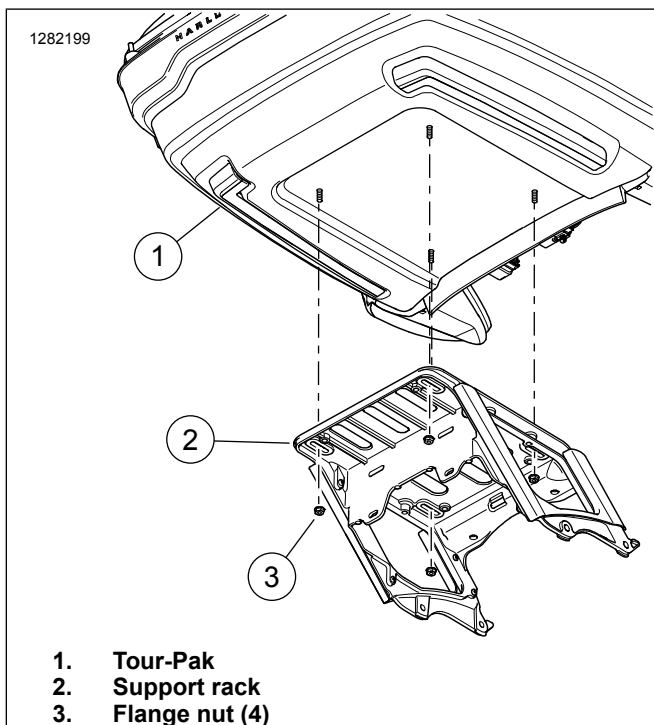


Figure 3. Tour-Pak Mount

- c. **APC models:** See Figure 4. Remove four screws, flat washers and adapter plate from support rack. Slide forward to release L-hooks.

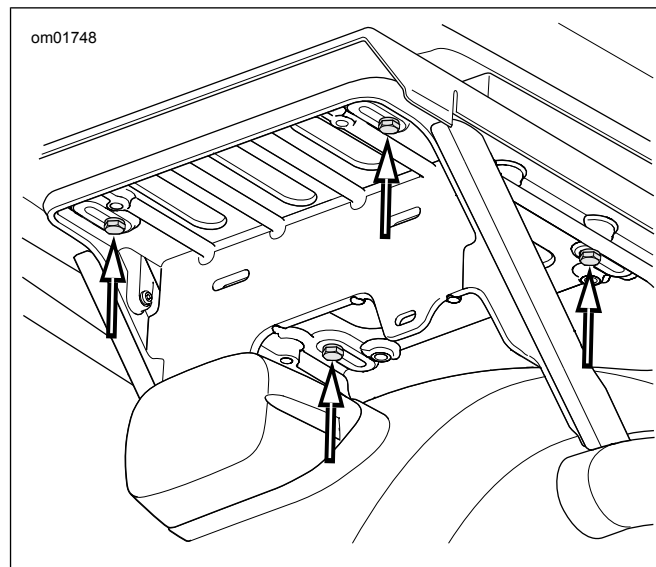


Figure 4. Tour-Pak Bracket Screws (APC/China Models)

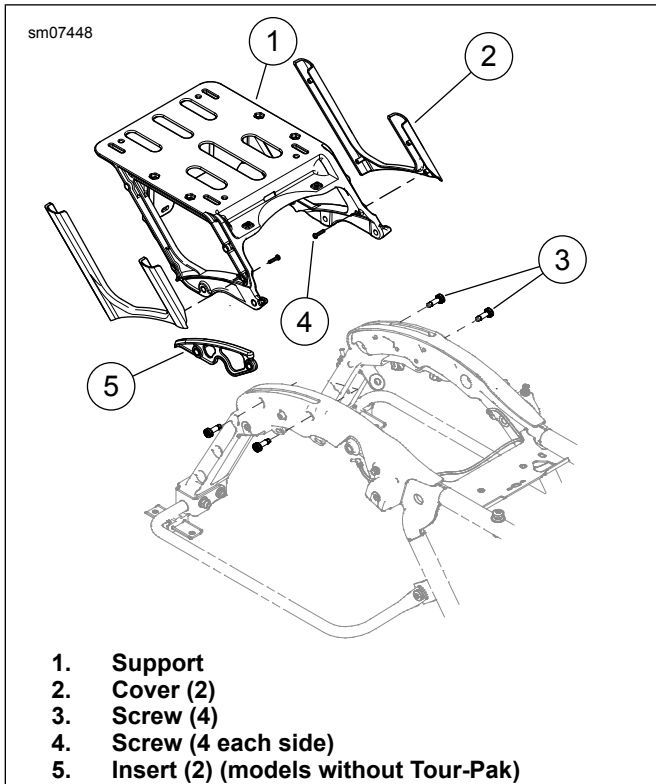
- d. Remove assembly.

6. **NOTE**

Models without Tour-Pak have spacers in place where Tour-Pak supports mounts. Removal and installation is similar.

Remove Tour-Pak support.

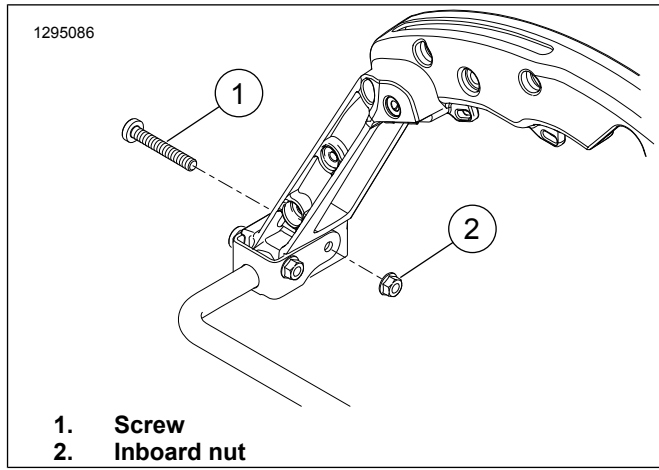
- a. See Figure 5. Remove harness connectors from anchors on support (1).
- b. Remove two screws (3) from each side.
- c. Remove Tour-Pak support.



1. Support
2. Cover (2)
3. Screw (4)
4. Screw (4 each side)
5. Insert (2) (models without Tour-Pak)

Figure 5. Tour-Pak Support

7. See Figure 7. Remove tail lamp and tail lamp base.
 - a. Remove screws (1).
 - b. Disconnect and remove tail lamp and lens assembly (2).
 - c. Note connector locations at tail lamp base (4) to ease installation.
 - d. Disconnect all tail lamp base connections.
 - e. Remove screw (3) and tail lamp base.
8. Unscrew radio antenna mast from antenna mast base. Set mast aside for later installation.
9. See Figure 6. Remove right side inboard nut (2). Discard screw (1).



1. Screw
2. Inboard nut

Figure 6. OE Screw Removal

INSTALL

1. See Figure 1. Install the Docking Hardware Kit (1) per instructions in **that** kit.
2. Install LED Saddlebag Run/Brake/Turn Lamp Kit (3) per instructions in **that** kit.
3. See Figure 7. Install license plate bracket.
 - a. Install license plate bracket (5) in fender.
 - b. Route any wiring harnesses through license plate bracket.
 - c. Install tail lamp base over license plate bracket. Secure with screw (3).
 - d. Install connectors to tail lamp base.
 - e. Connect tail lamp and lens assembly to tail lamp base. Install tail lamp and lens assembly to base and secure with screws (1).
4. Install the Tour-Pak onto the Detachable Tour-Pak Rack (Part No. 53000221) following the instructions included in that kit.

5. **NOTE**

- Apply reflectors in ambient temperatures between 21–38 °C (70–100 °F).
- Reflectors cannot be repositioned after initial installation. Do not remove protective film from adhesive until ready to apply.
- Allow at least 24 hours after application before exposing the area to vigorous washing, strong water spray or extreme weather.
- The adhesive bond will increase to maximum strength after about 72 hours at normal room temperature.

See Figure 1. Mark reflector (12) location.

- a. Clean the reflector mounting surface with a 50:50 mixture of isopropyl alcohol and water. Allow to dry completely.

- b. See Figure 8. Place reflector (2) on rear of saddlebag centered and Distance: 13 mm (0.5 in) below auxiliary tail lamp (1).
- c. Mark location with a grease pencil.

6. **NOTE**
Once applied, do not shift reflectors.

Install reflector.

- a. Remove the adhesive backing from reflector.
- b. Place reflector in marked location.
- c. After placing reflector, apply even pressure across entire surface for 15 seconds.
- d. Wait 20 minutes before touching reflectors.

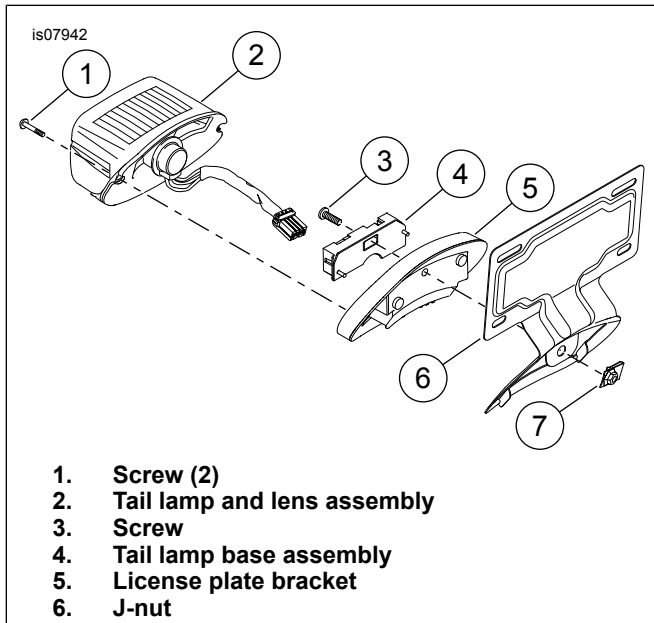


Figure 7. Install License Plate Bracket

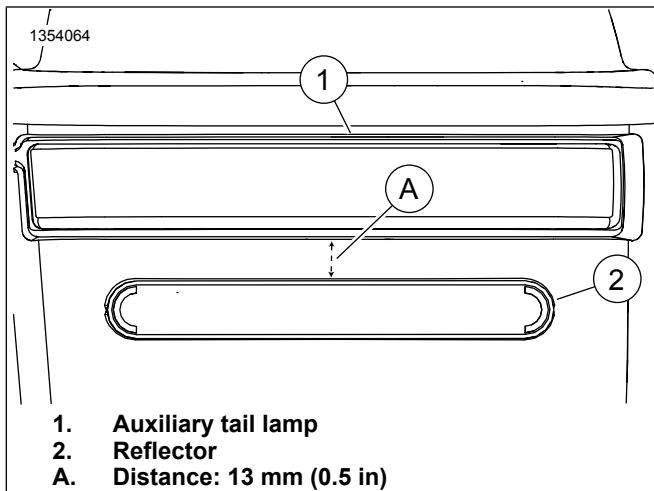


Figure 8. Reflector Placement

Wire Clip

NOTE

Make sure to remove cables and harnesses from retaining clips prior to removing Tour-Pak. After Tour-Pak has been removed, cables and harnesses can be rolled up and put away under the seat.

- 1. See Figure 9. Lift flap (1) to gain access to mounting area.
- 2. See Figure 10. Install wire harness retaining clips.
 - a. Clean mounting surface with 50:50 mixture of isopropyl alcohol and water.
 - b. Allow mounting surface (2) to completely dry.
 - c. See Figure 1. Remove adhesive backing from clips (7).
 - d. Install clips on mounting surface (2) as needed.

3. **NOTE**
Make sure cables and harnesses are not resting on rear fender as damage to the painted surface will occur.

Install cables and harnesses into retaining clips.

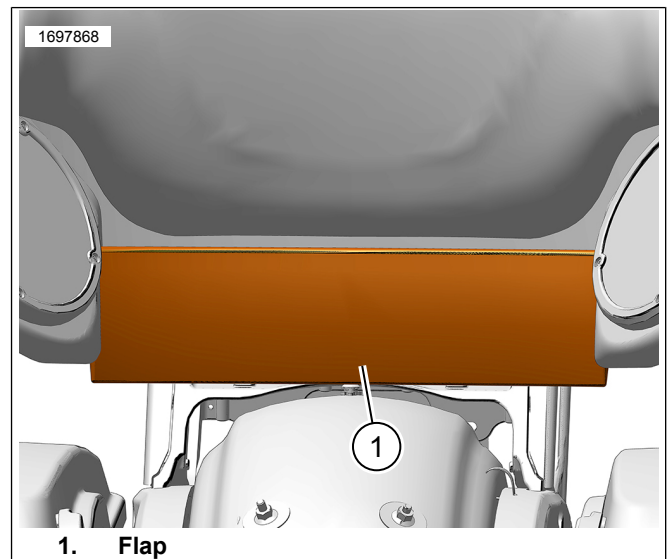


Figure 9. Flap

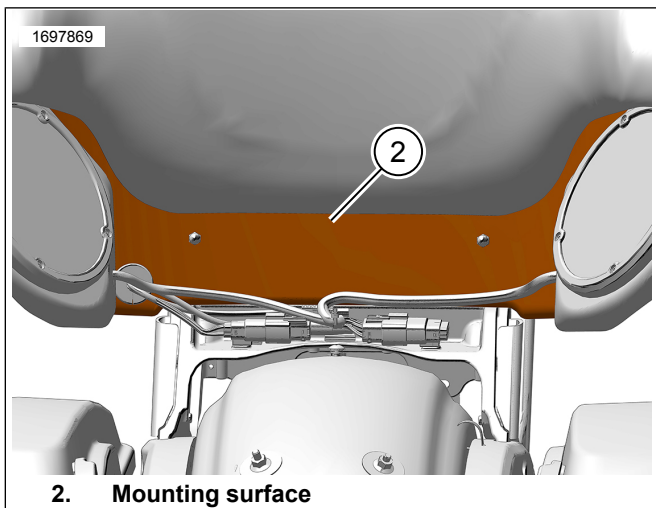


Figure 10. Mounting Surface

COMPLETE

NOTE

To prevent possible damage to sound system, verify that ignition is OFF **before** installing main fuse.

1. Install main fuse. See service manual.
2. Test the radio for proper operation.
3. Install seat. After installing seat, pull up on seat to verify that it is secure. See service manual.
4. Install left side cover. See service manual.
5. Install saddlebags. See service manual.
6. Install Tour-Pak following the instructions in the Detachable Tour-Pak Rack Kit (Part No. 53000221).

NOTE

When removing the Tour-Pak, the wire harness can be rolled up and tucked under seat.