



INSTRUCTIONS

94100189

2021-08-02



PASSENGER FOOTBOARD KIT

GENERAL INFORMATION

Table 1. General Information

Kits	Suggested Tools	Skill Level ⁽¹⁾
50501950, 50501951, 50501952	Safety Glasses, Torque Wrench	
<i>(1) Tightening to torque value or other moderate tools and techniques required</i>		

KIT CONTENTS



Figure 1. Kit Contents: Passenger Footboard Kit

Table 2. Kit Contents: Passenger Footboard Kit

<input checked="" type="checkbox"/>	Verify that all contents are present in the kit before installing or removing items from vehicle.				
Item	Qty	Description	Part No.	Notes	
<input type="checkbox"/>	1	1	Footboard, passenger, left, chrome	50501953	
<input type="checkbox"/>		1	Footboard, passenger, left, black	50501955	
<input type="checkbox"/>		1	Footboard, passenger, left, black edge cut	50501957	
<input type="checkbox"/>	2	1	Footboard, passenger, right, chrome	50501954	
<input type="checkbox"/>		1	Footboard, passenger, right, black	50501956	
<input type="checkbox"/>		1	Footboard, passenger, right, black edge cut	50501958	
<input type="checkbox"/>	3	4	Mounting pin	10500172	

GENERAL

Models

For model fitment information, see the Parts and Accessories (P&A) Retail Catalog or the Parts and Accessories section of www.harley-davidson.com.

Verify that the most current version of the instruction sheet is used. It is available at: h-d.com/isheets

Contact Harley-Davidson Customer Support Center at 1-800-258-2464 (U.S. only) or 1-414-343-4056.

Installation Requirements

▲ WARNING

Rider and passenger safety depend upon the correct installation of this kit. Use the appropriate service manual procedures. If the procedure is not within your capabilities or you do not have the correct tools, have a Harley-Davidson dealer perform the installation. Improper installation of this kit could result in death or serious injury. (00333b)

NOTE

This instruction sheet references service manual information. A service manual for the year and model motorcycle is required for this installation and is available from:

- A Harley-Davidson dealer.
- H-D Service Information Portal, a subscription-based access available for most 2001 and newer models. For more information see *Frequently ask questions about subscriptions*.

REMOVE

1. Remove passenger footboards. See service manual.
2. Retain ball and spring for later use.

INSTALL

1. Install footboard supports unless currently installed.

NOTE

Footboards are side-specific. Install with wider portion forward on vehicle.

2. See Figure 1. Place previously removed spring into retaining hole (1) in footboard support (2).
3. Place previously removed ball on top of spring.
4. Position footrest (3) onto footboard support bracket (2), while being careful not to unseat ball.
5. Press down on footrest (3) so holes align.
6. Insert footboard mounting pins (4) through footrest and two mounting lugs on footboard support.
7. Check that ball is seated in detent at underside of footrest.
8. Tighten mounting pins.
Torque: 16.3–20 N·m (12–15 ft-lbs)
9. Repeat previous step on opposite side.

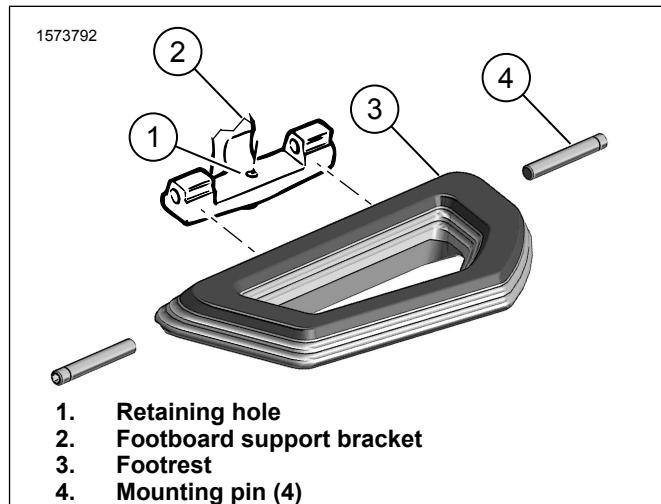


Figure 2. Footboard Support and Footrest