



INSTRUCTIONS

94100279

2021-08-02



STEERING DAMPER KIT

GENERAL INFORMATION

Table 1. General Information

Kits	Suggested Tools	Skill Level ⁽¹⁾
45700068	Safety Glasses, Torque Wrench	
<i>(1) Tightening to torque value or other moderate tools and techniques required</i>		

KIT CONTENTS

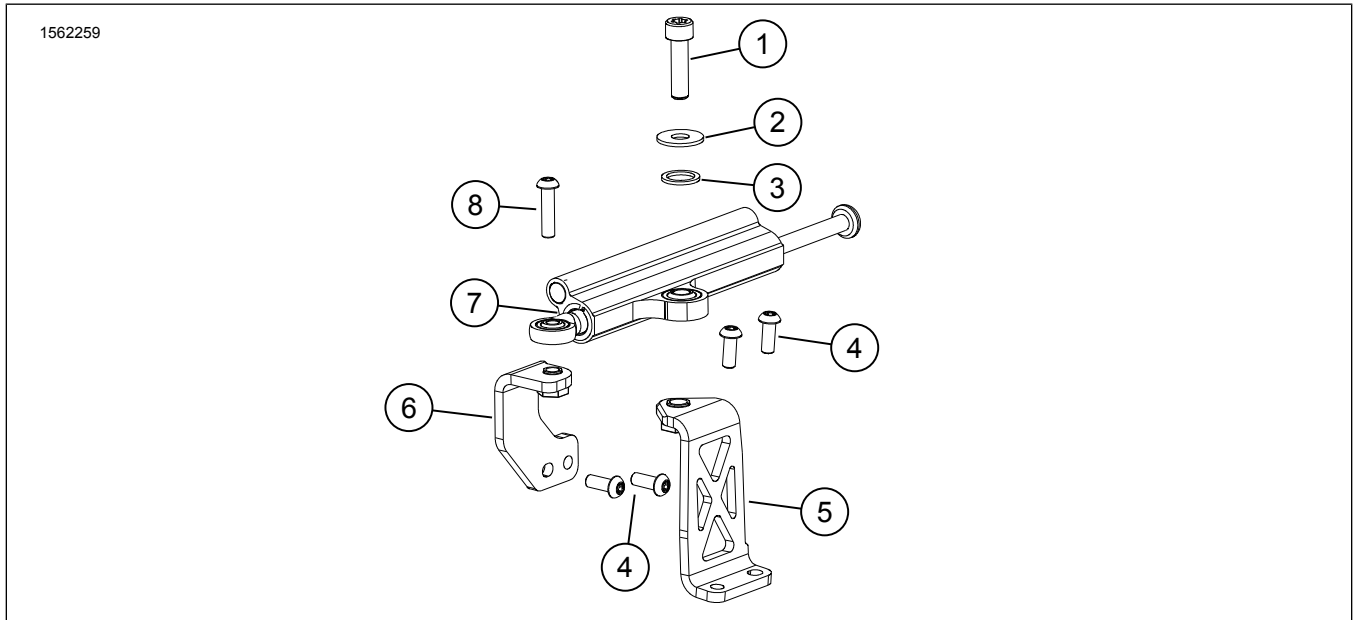


Figure 1. Kit Contents: Steering Damper

Table 2. Kit Contents: Steering Damper

<input checked="" type="checkbox"/>	Verify that all contents are present in the kit before installing or removing items from vehicle.				
Item	Qty	Description	Part No.	Notes	
<input type="checkbox"/>	1	Pivot screw	10201022		
<input type="checkbox"/>	2	Washer	10600060		
<input type="checkbox"/>	3	Spacer	8324		
<input type="checkbox"/>	4	Screw	10200923		
<input type="checkbox"/>	5	Damper frame bracket	Not sold separately		
<input type="checkbox"/>	6	Damper fork bracket	Not sold separately		
<input type="checkbox"/>	7	Steering damper	Not sold separately		
<input type="checkbox"/>	8	Rod screw	10201021		

GENERAL

Models

Verify that the most current version of the instruction sheet is used. It is available at: h-d.com/isheets

Contact Harley-Davidson Customer Support Center at 1-800-258-2464 (U.S. only) or 1-414-343-4056.

Installation Requirements

▲ WARNING

Rider and passenger safety depend upon the correct installation of this kit. Use the appropriate service manual procedures. If the procedure is not within your capabilities or you do not have the correct tools, have a Harley-Davidson dealer perform the installation. Improper installation of this kit could result in death or serious injury. (00333b)

NOTE

This instruction sheet references service manual information. A service manual for the year and model motorcycle is required for this installation and is available from:

- A Harley-Davidson dealer.
- H-D Service Information Portal, a subscription-based access available for most 2001 and newer models. For more information see *Frequently ask questions about subscriptions*.

PREPARE

1. Remove main fuse. See service manual.
2. Remove console. See service manual.

INSTALL

1. See Figure 2. Install damper fork bracket.
 - a. Position damper fork bracket (9).
 - b. Install screws (8). Tighten.
Torque: 10–12 N·m (89–106 **in-lbs**) *Damper mount, fork bracket screws*
2. Install damper frame bracket.
 - a. Position damper frame bracket (6).
 - b. Install screws (7). Tighten.
Torque: 10–12 N·m (89–106 **in-lbs**) *Damper mount, frame bracket screws*
3. Install damper.
 - a. Install damper (5).
 - b. Install spacer (4).
 - c. Install washer (3).

- d. Install pivot screw (2). Tighten.
Torque: 20–22 N·m (15–16 ft-lbs) *Steering damper pivot screw*
4. Install rod screw (1). Tighten.
Torque: 10–12 N·m (89–106 **in-lbs**) *Steering damper rod screw*

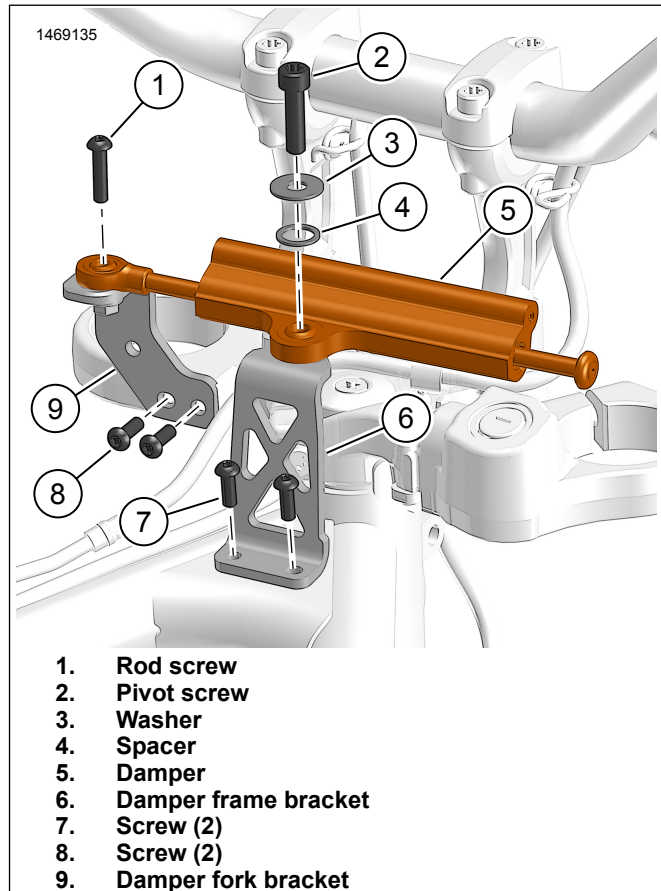


Figure 2. Steering Damper

COMPLETE

1. Install console. See service manual.
2. Install main fuse. See service manual.