



INSTRUCTIONS

94100270

2021-08-02



FRONT WHEEL

GENERAL INFORMATION

Table 1. General Information

Kits	Suggested Tools	Skill Level ⁽¹⁾
43300888	Safety Glasses	

(1) Only simple tools and techniques required

KIT CONTENTS

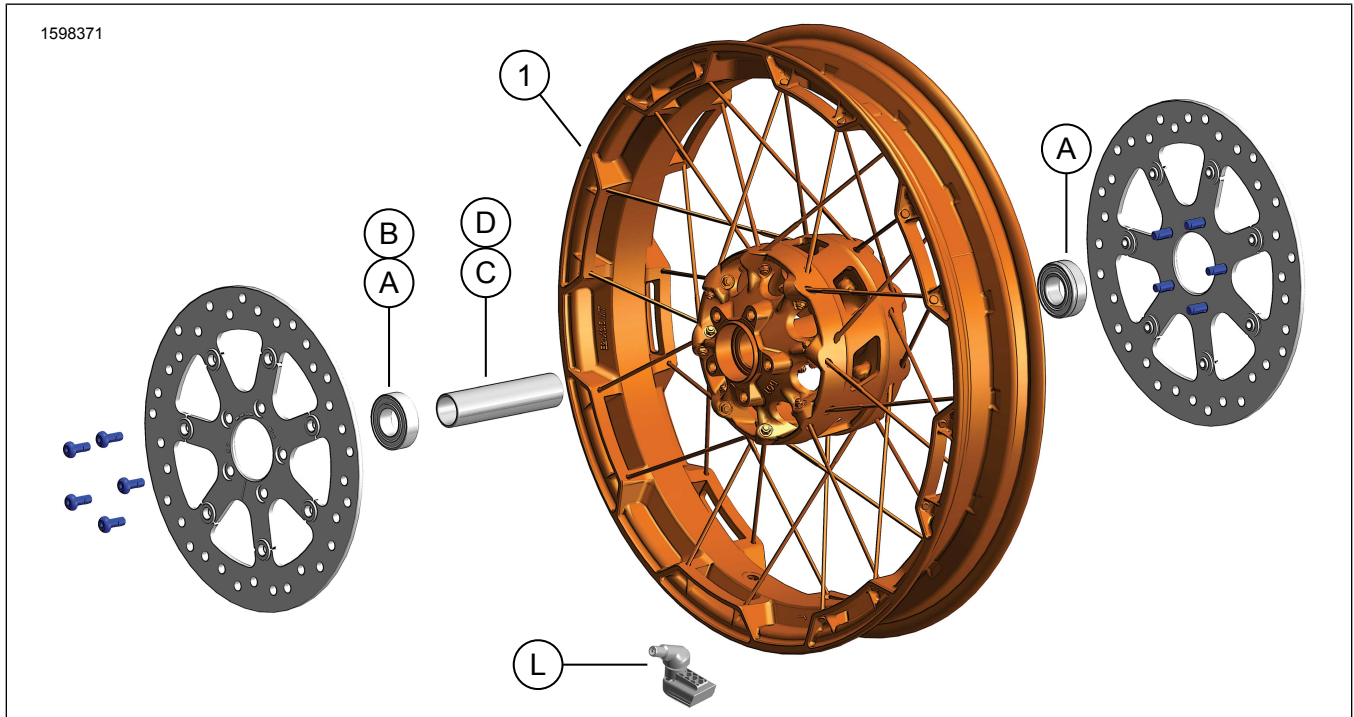


Figure 1. Kit Contents: Front Wheel

Table 2. Kit Contents: Front Wheel Kit

Verify that all contents are present in the kit before installing or removing items from vehicle.					
<input checked="" type="checkbox"/>	Item	Qty	Description	Part No.	Notes
<input type="checkbox"/>	1	1	Wheel	Not sold separately	
Items mentioned in text, but not included in kit					
<input checked="" type="checkbox"/>	A	2	Original Equipment (OE) Bearing, regular, Refer to Table 3 and Table 4		
<input checked="" type="checkbox"/>	B	1	OE Bearing, ABS*** Refer to Table 4.		
<input checked="" type="checkbox"/>	C	1	OE Axle sleeve, Refer to Table 3 and Table 4		
<input checked="" type="checkbox"/>	D	1	OE Axle sleeve, Refer to Table 3 and Table 4		
<input checked="" type="checkbox"/>	L	1	OE Valve stem, Refer to Table 3 and Table 4		

Table 3. FRONT 25 mm Bearing Non-ABS Wheel Installation Kit (41455-08C)

FRONT 25 mm Bearing Non-ABS Wheel Installation Kit (41455-08C)		ITEM (Quantity Used and Description)								
Fitment	Wheel Size	A	C	D	J	K	L	M	N	
2008 Touring; 2009 and later FLHRC (non-ABS) and Trike (non-ABS)	16 x 3.0 in	2	0	1	0	1	*	*	*	
2009 and later Touring (non-ABS)	17 x 3.0 in	2	0	1	0	0	*	*	*	
2008 and later Touring (non-ABS)	18 x 3.5 in	2	0	1	0	**	*	*	*	
2008 - 2017 Dyna (except FLD, FXDWG, FXDF)	19 x 2.5 in	2	1	0	**	0	*	*	0	
2008 - 2017 VRSCAW, VRSCD, VRSCF, VRSCDX (non-ABS)	19 x 3.0 in	2	1	0	**	0	*	*	0	
2009 and later Touring (non-ABS)	19 x 3.5 in	2	0	1	0	0	*	*	*	
2017 and later FLTRX, FLTRXS, FLTRXSE (non-ABS)	21 x 3.5 in	2	0	1	0	0	*	*	*	
Installation kits are designed to work with many different wheel styles and fitments. Contact a Harley-Davidson dealer to verify that the wheel and installation kits are both designed and approved for the motorcycle they are being installed on. NOTES: * See NOTE above valve installation step in INSTALLATION to determine which valve stem to use for your particular kit. Discard other valve stem(s). ** See NOTES for your wheel kit above the wheel assembly step in INSTALLATION to determine if bearing shim is used for your particular wheel kit and fitment. *** Bearing shim installed under the primary bearing.	A	Bearing, regular (2)					9276B			
	C	Axle sleeve					41748-08			
	D	Axle sleeve					41900-08			
	J	Bearing shim***					41450-08			
	K	Bearing shim***					43903-08			
	L	Valve stem, short					43157-83A			
	M	Valve stem, long					43206-01			
N	Valve stem, pull thru					40999-87				

Table 4. FRONT 25 mm Bearing ABS Wheel Installation Kit (41454-08B)

FRONT 25 mm Bearing ABS Wheel Installation Kit (41454-08B)		ITEM (Quantity Used and Description)									
Fitment	Wheel Size	A	B	C	D	J	K	L	M	N	
2008 Touring and 2009 and later FLHRC with ABS	16 x 3.0 in	1	1	0	1	0	1	*	*	0	
2009 and later Touring with ABS	17 x 3.0 in	1	1	0	1	0	0	*	*	*	
2008 and later Touring with ABS	18 x 3.5 in	1	1	0	1	**	**	*	*	*	
2012 - 2017 Dyna with ABS (Except FLD, FXDWG and FXDF)	19 x 2.5 in	1	1	1	0	**	**	*	*	0	
2008 - 2017 VRSCAW, VRSCD, VRSCF and VRSCDX with ABS	19 x 3.0 in	1	1	1	0	**	**	*	*	0	
2009 and later Touring with ABS	19 x 3.5 in	1	1	0	1	0	0	*	*	*	
2017 and later FLTRX, FLTRXS, FLTRXSE with ABS	21 x 3.5 in	1	1	0	1	0	0	*	*	*	
Installation kits are designed to work with many different wheel styles and fitments. Contact a Harley-Davidson dealer to verify that the wheel and installation kits are both designed and approved for the motorcycle they are being installed on. NOTES: * See NOTE above valve installation step in INSTALLATION to determine which valve stem to use for your particular kit. Discard other valve stem(s). ** See NOTES for your wheel kit above the wheel assembly step in INSTALLATION to determine which bearing shim to use for your particular wheel kit and fitment. *** Red side of bearing must be installed toward the wheel. The ABS bearing is primary. **** Bearing shim installed under the primary bearing.	A	Bearing, regular					9276B				
	B	Bearing, ABS***					9252A				
	C	Axle sleeve					41748-08				
	D	Axle sleeve					41900-08				
	J	Bearing shim****					41450-08				
	K	Bearing shim****					43903-08				
	L	Valve stem, short					43157-83A				
M	Valve stem, long					43206-01					
N	Valve stem, pull thru					40999-87					

GENERAL

Models

For model fitment information, see the Parts and Accessories (P&A) Retail Catalog or the Parts and Accessories section of www.harley-davidson.com.

NOTE

Accessory hub caps are not compatible with this wheel.

Verify that the most current version of the instruction sheet is used. It is available at: h-d.com/isheets

Contact Harley-Davidson Customer Support Center at 1-800-258-2464 (U.S. only) or 1-414-343-4056.

Installation Requirements

⚠ WARNING

Rider and passenger safety depend upon the correct installation of this kit. Use the appropriate service manual procedures. If the procedure is not within your capabilities or you do not have the correct tools, have a Harley-Davidson dealer perform the installation. Improper installation of this kit could result in death or serious injury. (00333b)

NOTE

This instruction sheet references service manual information. A service manual for the year and model motorcycle is required for this installation and is available from:

- A Harley-Davidson dealer.

- *H-D Service Information Portal, a subscription-based access available for most 2001 and newer models. For more information see Frequently ask questions about subscriptions.*

⚠ WARNING

Install only wheels and installation kits approved for your model motorcycle. Contact a Harley-Davidson dealer to verify fitment. Mismatching wheels and installation kits or installing wheels not approved for your model can cause loss of control, which could result in death or serious injury. (00610c)

Proper installation of this kit requires separate purchase of the following parts which are available at a Harley-Davidson dealer:

- Wheel Installation Kit: See Table 3 and Table 4
- Brake Disc screws: Refer to Table 5.
- Wheel Bearing Remover and Installer (94134-09)
- 116° Tire Pressure Monitoring System (TPMS) Sensor. See fitment statement for details
- **Tire:** (43100008)

The following Harley-Davidson Genuine Motor Accessories are recommended for proper maintenance and cleaning:

- CHROME CLEAN & SHINE (93600031) (US) / (93600082) (International)
- GLAZE™ POLY SEALANT (93600026) (US) / (93600079) (International)
- Harley® Wheel and Spoke Brush (43078-99)
- HARLEY WHEEL AND TIRE CLEANER (93600121) (US) / (93600076) (International)
- Harley® Preserve Bare Aluminum Protectant (99845-07)

PREPARE

NOTE

If vehicle is equipped with TPMS use TPMS valve stem. If vehicle is not equipped with TPMS install pull thru valve stem (40999-87) included in installation kit. Discard all other valve stems.

NOTICE

Do not re-use brake disc/rotor screws. Re-using these screws can result in torque loss and damage to brake components. (00319c)

REMOVE

1. Remove existing front wheel assembly. See service manual.
 - a. Save axle, axle nut, brake disc and wheel spacers for kit installation.

Table 5. Front Disc Hardware Fitment

Brake Disc	Hardware (Quantity)	Part Number
Closed disc	Stock disc screw (5)	3655A
	Chrome screw kit (5)	46646-05

NOTE: Models equipped with dual front brakes and models being equipped with a wheel with dual brake mounting surfaces require twice as many screws/washers (10 total screws or 2 chrome screw kits if available).

INSTALL

NOTE

- *Install primary bearing first using appropriate service manual and WHEEL BEARING REMOVER/INSTALLER.*
- *Bearing shims provided in installation kit are not required and can be discarded.*
- *Left side of wheel has Department of Transportation (DOT) markings to identify primary bearing side.*

1. See Table 3 and Table 4. Assemble wheel installation kit components and brake disc(s) to wheel, using appropriate service parts table. See service manual.
2. Refer to Tire Mounting. Install tire on wheel.
3. Install front wheel (1), previously removed wheel spacers, stock axle and stock axle nut. See service manual.

⚠ WARNING

After repairing the brake system, test brakes at low speed. If brakes are not operating properly, testing at high speeds can cause loss of control, which could result in death or serious injury. (00289a)

⚠ WARNING

Whenever a wheel is installed and before moving the motorcycle, pump brakes to build brake system pressure. Insufficient pressure can adversely affect brake performance, which could result in death or serious injury. (00284a)

Tire Mounting

NOTE

If vehicle is equipped with TPMS use TPMS valve stem. Valve stem points toward high side of vehicle when installed. If vehicle is not equipped with TPMS install pull thru valve stem (40999-87) included in installation kit. Discard all other valve stems.

1. See Figure 1. Install valve stem (L) on front wheel. See service manual.

2.

NOTE

Only install the required (separately purchased) tire.

If wheel has a yellow dot sticker on rim, orient tire so white dot on tire is opposite of sticker. If wheel has a green dot sticker on rim, orient tire so white dot on tire is aligned with sticker. If no rim dot sticker is present, see service manual.

NOTE

Use plastic protectors on tire mounting tools and rim clamps when mounting a tire to a painted wheel.

When mounting tires, liberally use tire lube on wheel and tire.

Mount **new** front tire (purchased separately) to wheel. See service manual.

a. **Front Tire:** 43100008

3. Install front brake discs on wheel. See service manual.
4. Return to INSTALL.

MAINTENANCE

NOTE

Wheels must be maintained regularly to keep their original shine and luster.

1. Clean heavily-soiled wheel surfaces using Wheel & Tire Cleaner. Apply with Harley® Wheel and Spoke Brush.
2. Thoroughly clean wheel with a good quality cleaner, such as Wheel & Tire Cleaner.
3. After cleaning and polishing, seal finish with a good quality sealer, such as Glaze Poly Sealant.