



INSTRUCTIONS

94100271

2021-08-02



REAR WHEEL

GENERAL INFORMATION

Table 1. General Information

Kits	Suggested Tools	Skill Level ⁽¹⁾
40900871	Safety Glasses	

(1) Only simple tools and techniques required

KIT CONTENTS

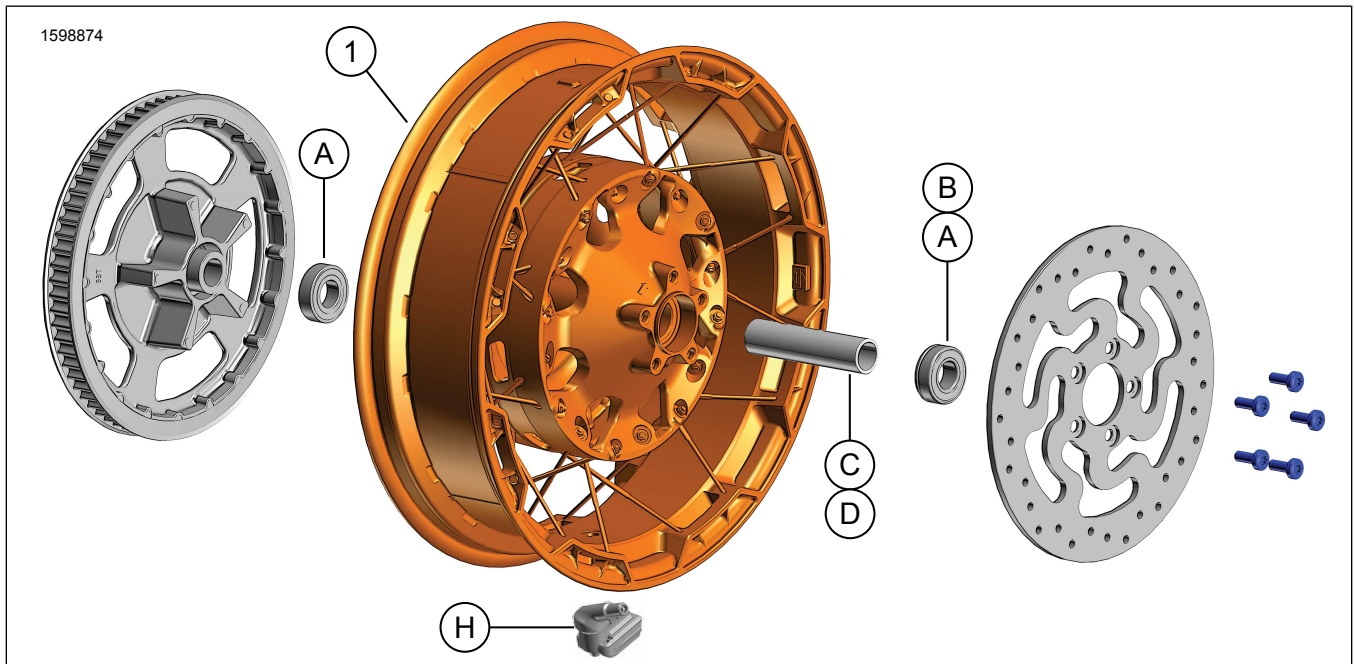


Figure 1. Kit Contents: Rear Wheel

Table 2. Kit Contents: Rear Wheel Kit

Verify that all contents are present in the kit before installing or removing items from vehicle.					
<input checked="" type="checkbox"/>	Item	Qty	Description	Part No.	Notes
<input type="checkbox"/>	1	1	Wheel	Not sold separately	
Items mentioned in text, but not included in kit					
<input checked="" type="checkbox"/>	A	2	Original Equipment (OE) Bearing, regular, See Table 3 and Table 4		
<input checked="" type="checkbox"/>	B	1	OE Bearing, ABS***, Refer to Table 3.		
<input checked="" type="checkbox"/>	C	1	OE Axle sleeve, See Table 3 and Table 4		
<input checked="" type="checkbox"/>	D	1	OE Axle sleeve, See Table 3 and Table 4		
<input checked="" type="checkbox"/>	H	1	OE Valve stem, See Table 3 and Table 4		

Table 3. REAR 25mm Bearing Wheel Installation Kit (41456-08C)

REAR 25 MM Bearing Non-ABS Wheel Installation Kit (41456-08C)		Item (Quantity Used and Description)									
Fitment	Wheel Size	A	C	D	E	F	H	I	J		
2009 and later FLT non-ABS	16 x 5.0 in	2	1	0	0	0	*	*	*		
2009 and later FLT non-ABS	18 x 5.0 in	2	1	0	0	0	*	*	*		
2008 VRSCD non-ABS	18 x 5.5 in	2	0	0	1	**	*	*	*	0	
2008 and later FXCW and FXCWC non-ABS	18 x 8.0 in	2	0	1	0	0	*	*	*	0	
2008 - 2017 VRSCAW, VRSCDX and VRSCF non-ABS	18 x 8.0 in	2	0	0	1	**	*	*	*	0	
Installation kits are designed to work with many different wheel styles and fitments. Contact a Harley-Davidson dealer to verify that the wheel and installation kits are both designed and approved for the motorcycle they are being installed on. NOTES: * See NOTE above valve installation step in INSTALLATION to determine which valve stem to use for your particular kit. Discard other valve stem(s). ** See INSTALLATION to determine if shim is required. *** Bearing shim installed under primary bearing.		A	Bearing, regular (2)							9276B	
		C	Axle sleeve							41349-07	
		D	Axle sleeve							41358-08	
		E	Axle sleeve							43704-08	
		F	Bearing shim***							41447-08	
		H	Valve stem, short							43157-83A	
		I	Valve stem, long							43206-01	
J	Valve stem, pull thru							40999-87			

Table 4. REAR 25 MM Bearing ABS Wheel Installation Kit (41453-08C)

REAR 25 MM Bearing ABS Wheel Installation Kit (41453-08C)		Item (Quantity Used and Description)										
Fitment	Wheel Size	A	B	C	D	E	F	G	H	I	J	
2008 FLT with ABS	16 x 3.0 in	1	1	0	1	0	0	1	*	*	0	
2009 and later FLT with ABS	16 x 5.0 in	1	1	1	0	0	0	0	*	*	*	
2009 and later FLT with ABS	18 x 5.0 in	1	1	1	0	0	0	0	*	*	*	
2008 VRSCDa with ABS	18 x 5.5 in	1	1	0	0	1	**	0	*	*	0	
2008 - 2017 VRSCAWa, VRSCDXa, VRSCXa and VRSCFa with ABS	18 x 8.0 in	1	1	0	0	1	**	0	*	*	0	
Installation kits are designed to work with many different wheel styles and fitments. Contact a Harley-Davidson dealer to verify that the wheel and installation kits are both designed and approved for the motorcycle they are being installed on. NOTES: * See NOTE above valve installation step in INSTALLATION to determine which valve stem to use for your particular kit. Discard other valve stem(s). ** Primary bearing. Bearing must be installed with red side facing the wheel. *** Bearing shim installed under primary bearing.		A	Bearing, regular									9276B
		B	Bearing, ABS**									9252A
		C	Axle sleeve									41349-07
		D	Axle sleeve									41900-08
		E	Axle sleeve									43704-08
		F	Bearing shim***									41447-08
		G	Bearing shim***									43904-08
H	Valve stem, short									43157-83A		
I	Valve stem, long									43206-01		
J	Valve stem, pull thru									40999-87		

GENERAL

Models

For model fitment information, see the Parts and Accessories (P&A) Retail Catalog or the Parts and Accessories section of www.harley-davidson.com.

Verify that the most current version of the instruction sheet is used. It is available at: h-d.com/isheets

Contact Harley-Davidson Customer Support Center at 1-800-258-2464 (U.S. only) or 1-414-343-4056.

Installation Requirements

▲ WARNING

Rider and passenger safety depend upon the correct installation of this kit. Use the appropriate service manual procedures. If the procedure is not within your capabilities or you do not have the correct tools, have a Harley-Davidson dealer perform the installation. Improper installation of this kit could result in death or serious injury. (00333b)

NOTE

This instruction sheet references service manual information. A service manual for the year and model motorcycle is required for this installation and is available from:

- A Harley-Davidson dealer.
- H-D Service Information Portal, a subscription-based access available for most 2001 and newer models. For more information see *Frequently ask questions about subscriptions*.

▲ WARNING

Install only wheels and installation kits approved for your model motorcycle. Contact a Harley-Davidson dealer to verify fitment. Mismatching wheels and installation kits or installing wheels not approved for your model can cause loss of control, which could result in death or serious injury. (00610c)

Proper installation of this kit requires separate purchase of the following parts which are available at a Harley-Davidson dealer:

- Wheel Installation Kit: See Table 3 and Table 4
- Brake Disc Screws: Refer to Table 5.
- Wheel Bearing Remover and Installer (94134-09)

- 116° Tire Pressure Monitoring System (TPMS) Sensor. See fitment statement for details
- **Tire:** (43200045)

The following Harley-Davidson Genuine Motor Accessories are recommended for proper maintenance and cleaning:

- CHROME CLEAN & SHINE (93600031) (US) / (93600082) (International)
- GLAZE™ POLY SEALANT (93600026) (US) / (93600079) (International)
- Harley® Wheel and Spoke Brush (43078-99)
- HARLEY WHEEL AND TIRE CLEANER (93600121) (US) / (93600076) (International)
- Harley® Preserve Bare Aluminum Protectant (99845-07)

PREPARE

NOTE

- *Prior to removing or installing wheel, rear brake caliper must be removed.*
- *Cotter pin or spring clip for axle nut must be replaced. They are available for purchase from your dealer. See your dealer for correct part number for your model vehicle.*

If vehicle is equipped with TPMS use TPMS valve stem. If vehicle is not equipped with TPMS install pull thru valve stem (40999-87) included in installation kit. Discard all other valve stems.

NOTICE

Do not re-use brake disc/rotor screws. Re-using these screws can result in torque loss and damage to brake components. (00319c)

NOTICE

Do not re-use sprocket mounting screws. Re-using sprocket mounting screws can result in torque loss and damage to the sprocket and/or belt assembly. (00480b)

REMOVE

1. Remove existing rear wheel assembly. See service manual.
 - a. Save axle, axle nut, brake disc, sprocket and wheel spacers for kit installation.

Table 5. Rear Disc and Sprocket Hardware Fitment

Hardware	Fitment
Rear Disc Screws (select stock or chrome hardware)	
5 Stock disc screws (43567-92)	All models
Chrome screw kit (46647-05) includes 5 screws	All models

INSTALL

NOTE

- *Install primary bearing first using appropriate service manual and WHEEL BEARING REMOVER/INSTALLER.*
- *Right side of rear wheel has brake rotor and is the primary bearing side.*
- *Bearing shims provided in installation kit are not required and can be discarded.*

1. See Table 3 and Table 4. Assemble wheel installation kit components to wheel using appropriate service parts table. See service manual.
2. Refer to Tire Mounting. Install tire on wheel.
3. Install rear wheel (1), stock axle and stock spacers. See service manual.

▲ WARNING

After repairing the brake system, test brakes at low speed. If brakes are not operating properly, testing at high speeds can cause loss of control, which could result in death or serious injury. (00289a)

▲ WARNING

Whenever a wheel is installed and before moving the motorcycle, pump brakes to build brake system pressure. Insufficient pressure can adversely affect brake performance, which could result in death or serious injury. (00284a)

Tire Mounting

NOTE

If vehicle is equipped with TPMS use TPMS valve stem. Valve stem points toward high side of vehicle when installed. If vehicle is not equipped with TPMS install pull thru valve stem (40999-87) included in installation kit. Discard all other valve stems.

1. See Figure 1. Install valve stem (H) on rear wheel. See service manual.
2.

NOTE

 - *Only install the required (separately purchased) tire.*
 - *If wheel has a yellow dot sticker on rim, orient tire so white dot on tire is opposite of sticker. If wheel has a green dot sticker on rim, orient tire so white dot on tire is aligned with sticker. If no rim dot sticker is present, see service manual.*
 - *Use plastic protectors on tire mounting tools and rim clamps when mounting a tire to a painted wheel.*
 - *When mounting tires, liberally use tire lube on wheel and tire.*

Mount **new** rear tire (purchased separately) to wheel. See service manual.

a. **Rear Tire:** 43200045

3. Install stock rear brake disc and sprocket on wheel using **new** hardware. See service manual.
4. Return to INSTALL.

MAINTENANCE

Wheels must be maintained regularly to keep their original shine and luster.

1. Clean heavily-soiled wheel surfaces using Harley-Davidson Wheel & Tire Cleaner. Apply with Harley® Wheel and Spoke Brush.
2. Thoroughly clean wheel with a good quality cleaner, such as Wheel & Tire Cleaner.
3. After cleaning and polishing, seal finish with a good quality sealer, such as Glaze Poly Sealant.