



INSTRUCTIONS

J04688

2021-08-03



REAR AXLE-NUT COVER KIT

GENERAL

Kit Number

41704-09, 41705-09, 41706-09A, 43000108, 43000109, 43000110, 43000111, 43000050, 43000128, 43000129, 43000163, 43000166, 43000167, 43000178, 43000215

Models

For model fitment information, see the P&A Retail Catalog or the Parts and Accessories section of www.harley-davidson.com (English only).

Installation Requirements

▲ WARNING

Rider and passenger safety depend upon the correct installation of this kit. Use the appropriate service manual procedures. If the procedure is not within your capabilities or you do not have the correct tools, have a Harley-Davidson dealer perform the installation. Improper installation of this kit could result in death or serious injury. (00333b)

NOTE

This instruction sheet references Service Manual information. A Service Manual for your model motorcycle is required for this installation and is available from a Harley-Davidson dealer.

Kit Contents

See Figure 1 and Table 1, Figure 2 and Table 2, Figure 3 and Table 3, Figure 4 and Table 4, Figure 5 and Table 5, Figure 6 and Table 6

INSTALLATION

NOTE

Axles that have been removed for service, replacement or repair may have been assembled in reverse orientation from their stock design. Axle-nut covers may not fit properly on reversed axles. Refer to the appropriate Service Manual for correct axle orientation.

- Adjust the position of the exhaust system (if necessary) to provide axle-nut clearance.
 - Position each axle-nut cover over the appropriate axle nut.
- Skull version** nut covers have two set screws per cover. Position the logo and snug up one set screw to hold in place and the other to prevent rotation. See Figure 2.
 - Brass version** nut covers use short length set screw on larger axle nut cover. Use longer length set screw on shorter axle nut cover. See Figure 3.

- Tighten the axle-nut cover set screws until snug.

NOTE

The set screws in this kit are treated with a thread-locking compound. When replacing or re-installing the set screws (2), apply LOCTITE 243 MEDIUM STRENGTH THREADLOCKER AND SEALANT (BLUE) (99642-97) to the set screw threads.

CARE AND CLEANING GUIDELINES FOR BRASS PARTS

Cleaning Instructions

- Verify part is dry and free of dirt or debris.
- Place a small amount of Harley-Davidson® Chrome Clean & Shine on a microfiber cloth or detailing swab.
- Using light pressure, rub the brass parts with the microfiber cloth. For hard to reach places or grooves, use the detailing swab.

Obtaining a Bright Finish

Brass parts will naturally age and darken with time. If a bright brass finish is preferred, place some Harley-Davidson Bare Metal Polish on a microfiber cloth and lightly rub on the brass parts until they reach the desired brightness.

Slowing the Natural Aging Process

To slow the aging process of the brass parts, place a small amount of Harley-Davidson Glaze Poly Sealant on a microfiber cloth or detailing swab, and lightly rub on the parts until the sealant has soaked in.

Precautions

- Use of non-recommended cleaning, polishing and protective products will result in the removal of the aged finish from the brass parts.
- Prolonged contact with certain items (hands, gloves, boots, dust, etc.) and exposure to the elements will also alter all surface finishes and is NOT considered a defect.
- Avoid cleaning parts with abrasive and aggressive chemicals and abrasive cleaning pads.
- Avoid ammoniated products and bleach.
- Prolonged exposure to water will alter the brass finish. Wipe down parts after contact with water.
- Excess rubbing may lighten the surface appearance of the part.



SERVICE PARTS

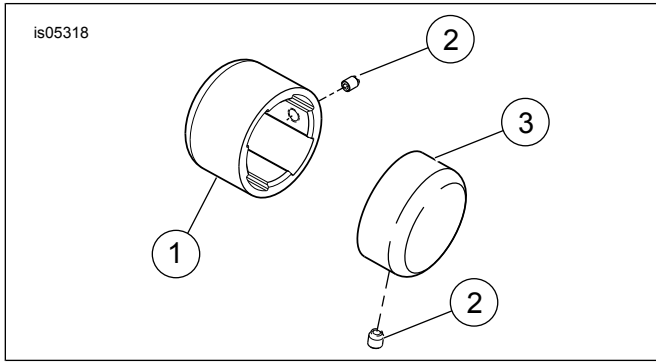


Figure 1. Service Parts: Rear Axle-Nut Cover Kit

Table 1. Service Parts: Rear Axle-Nut Cover Kit

| Item | Description (Quantity) | Part Number |
|------|----------------------------------|---------------------|
| 1 | Axle-nut cover, left side | Not Sold Separately |
| 2 | Set screw, 10-24 x 5/16 inch (2) | 4636 |
| 3 | Axle-nut cover, right side | Not Sold Separately |

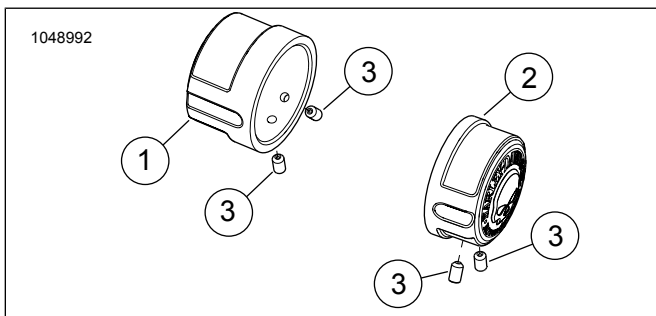


Figure 2. Service Parts: Skull Rear Axle-Nut Cover Kit

Table 2. Service Parts: Skull Rear Axle-Nut Cover Kit

| Item | Description (Quantity) | Part Number |
|------|----------------------------------|---------------------|
| 1 | Axle-nut cover, left side | Not Sold Separately |
| 2 | Axle-nut cover, right side | Not Sold Separately |
| 3 | Set screw, 10-24 x 5/16 inch (4) | 4636 |

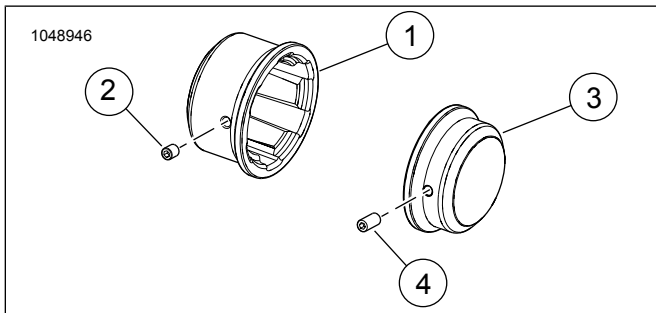


Figure 3. Service Parts: Brass Rear Axle-Nut Cover Kit

Table 3. Service Parts: Brass Rear Axle-Nut Cover Kit

| Item | Description (Quantity) | Part Number |
|------|-----------------------------|---------------------|
| 1 | Axle-nut cover, left side | Not Sold Separately |
| 2 | Set screw, 10-24 x 1/4 inch | 3365 |
| 3 | Axle-nut cover, right side | Not Sold Separately |
| 4 | Set screw, 10-24 x 3/8 inch | 3194 |

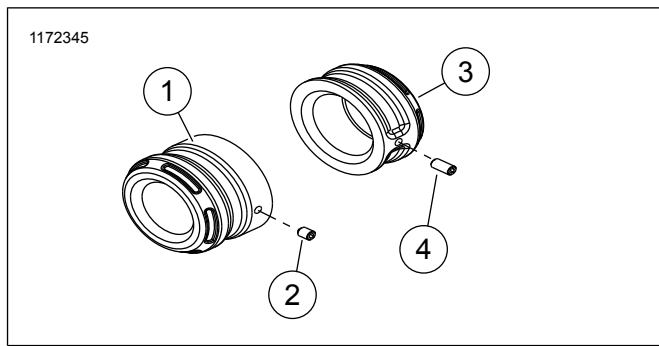


Figure 4. Service Parts: Rear Axle-Nut Cover Kit

Table 4. Service Parts: Rear Axle-Nut Cover Kit

| Item | Description (Quantity) | Part Number |
|------|---|---------------------|
| 1 | Axle-nut cover, left side | Not Sold Separately |
| 2 | Set screw, 10-24 x 1/4 inch Kits 43000128, 43000129 (1) | 3365 |
| 3 | Axle-nut cover, right side | Not Sold Separately |
| 4 | Set screw, 10-24 x 3/8 inch Kits 43000128, 43000129 (1) Kits 43000166, 43000167 (2) | 3194 |

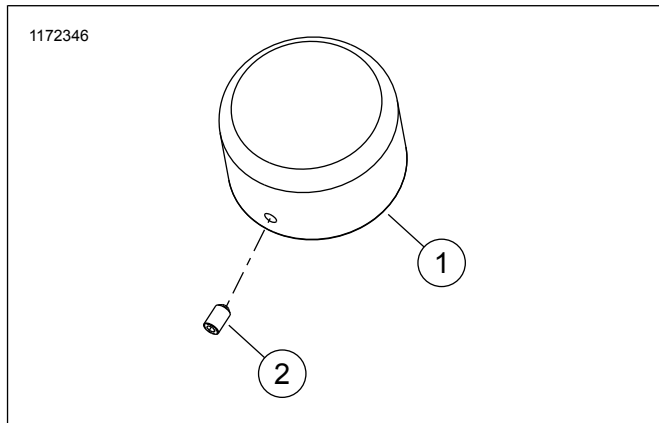


Figure 5. Service Parts: Rear Axle-Nut Cover Kit

Table 5. Service Parts: Rear Axle-Nut Cover Kit

| Item | Description (Quantity) | Part Number |
|------|--|---------------------|
| 1 | Axle-nut cover (2) | Not Sold Separately |
| 2 | Set screw, 10-24 x 5/16 inch (2) Kit 43000163 | 4636 |

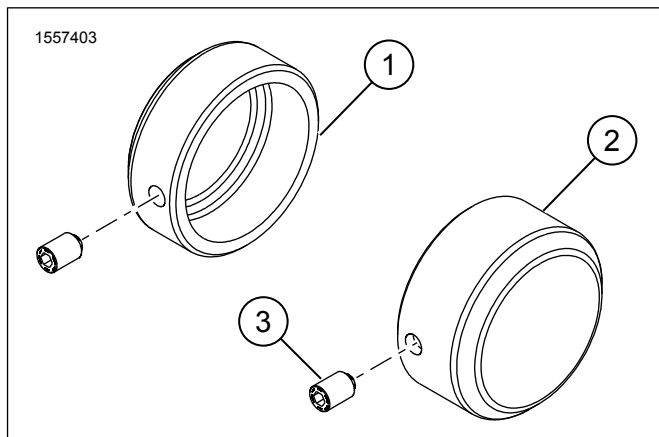


Figure 6. Service Parts: Rear Axle-Nut Cover Kit

Table 6. Service Parts: Rear Axle-Nut Cover Kit

| Item | Description (Quantity) | Part Number |
|-------------|-------------------------------|---------------------|
| 1 | Axle-nut cover, left side | Not Sold Separately |
| 2 | Axle-nut cover, right side | Not Sold Separately |
| 3 | Set screw (2) | 3267 |