



# INSTRUCTIONS

J04715

2021-08-03



## MID-FRAME AIR DEFLECTORS

### GENERAL

#### Kit Numbers

58002-09, 58002-09A, 57200157, 57200356

#### Models

For model fitment information, see the P&A retail catalog or the Parts and Accessories section of [www.harley-davidson.com](http://www.harley-davidson.com) (English only).

#### Kit Contents

See Figure 3 and Table 1.

### INSTALL

#### NOTE

*MY2016 and earlier models, speed nuts need to be installed to vehicle frame. Later models, nuts have been welded to vehicle frame.*

1. Remove and discard rear spark plug wire retainer.
2. See Figure 1. Install speed nut (3) through large hole with flat side facing down.
  - a. Align threaded holes to small mounting holes in plate.
3. See Figure 1. Install special nuts (4) into bottom hex hole (2).
  - a. See Figure 3 and Table 1 Install washer (2) to screw (1).
  - b. Insert screw (1) fully into special nut (4).
  - c. Press special nut assembly firmly against crossmember.
  - d. Tighten screw (1) (approximately 2-1/2 turns).  
Torque: 6.8 N·m (60 **in-lbs**)
  - e. Remove screw (1) and washer (2).
  - f. Repeat procedure for opposite side.

4.

#### NOTE

*Do not use LOCTITE® on fasteners as damage to air deflectors will occur.*

*Position left deflector behind park plug wire and evaporative tube (if present).*

See Figure 2. Install mid-frame deflector (3, 4).

5. Install washers (2) and screws (1). Tighten.  
Torque: 2.8–3.9 N·m (25–35 **in-lbs**)
6. Attach rear spark plug wire to left deflector cable clip (5).

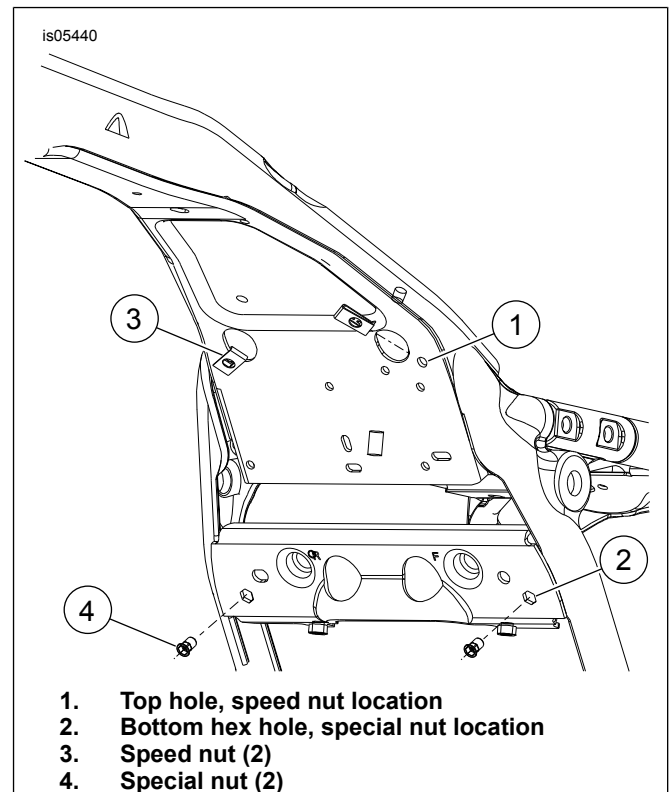
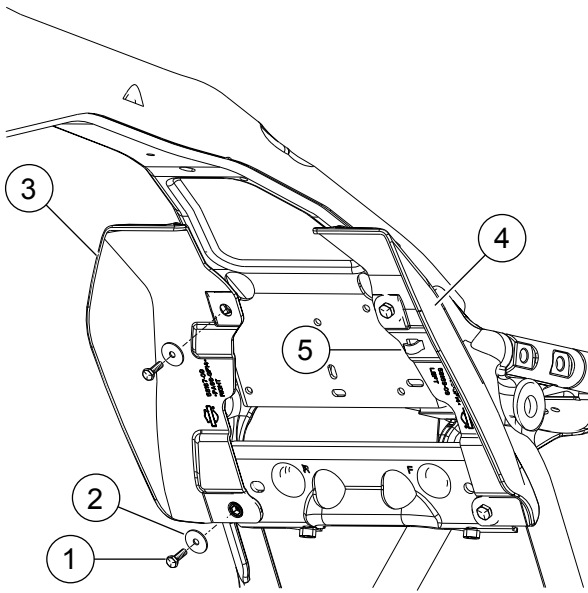


Figure 1. Fastener Locations



is05439



- 1. Screw (4)
- 2. Washer (4)
- 3. Right deflector
- 4. Left deflector
- 5. Spark plug cable clip

Figure 2. Installing Air Deflectors

## SERVICE PARTS

Table 1. Service Parts

Item	Description (Quantity)	Part Number
1	Screw (4)	3787
2	Flat washer (4)	6036
3	Speed nut (2)	8108
4	Special nut (2)	8194
5	Mid-frame air deflector, right (for 58167-09)	58167-09
	Mid-frame air deflector, right (for 58002-09A, <b>without</b> chassis fan)	58002-09
	Mid-frame air deflector, right (for 57200157, <b>with</b> chassis fan)	58167-09
	Mid-frame air deflector, translucent right	57200243
6	Mid-frame air deflector, left	58169-09
	Mid-frame air deflector, translucent left	57200256

is05434

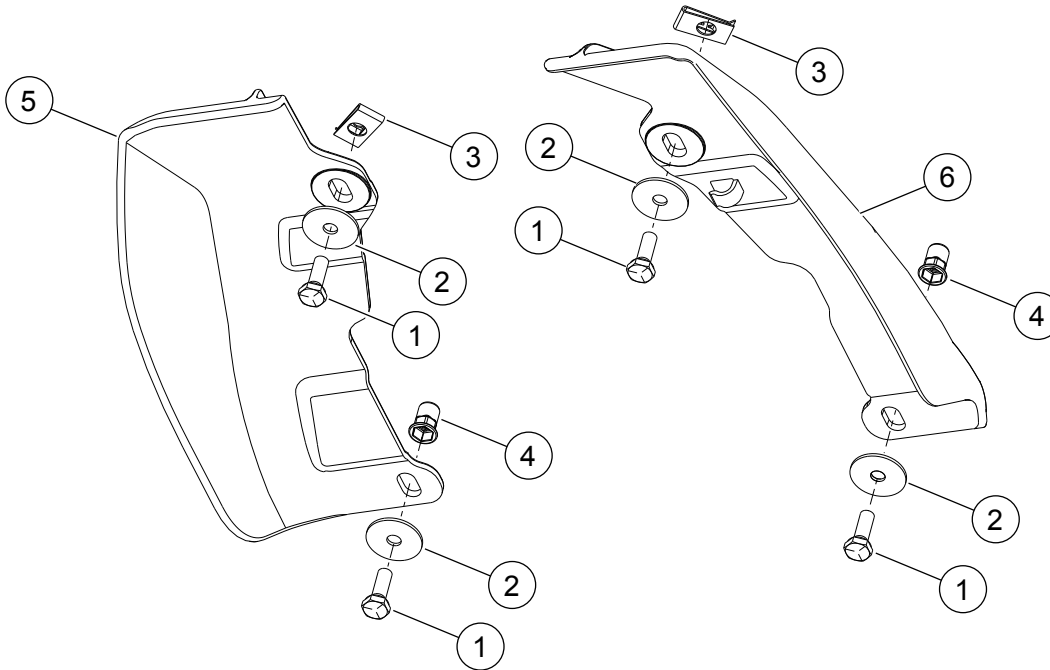


Figure 3. Service Parts: Mid-Frame Air Deflectors