



# INSTRUCTIONS

94100314


2022-01-18



## H-D AUDIO POWERED BY ROCKFORD FOSGATE - PRIMARY AND SECONDARY SUB WOOFER KIT

### GENERAL INFORMATION

Table 1. General Information

Kits	Suggested Tools	Skill Level <sup>(1)</sup>
76001163, 76001164	Safety glasses, torque wrench, power drill, drill bit set (including 25/64-inch and 3/4-inch), masking tape, deburring tool, isopropyl alcohol, clean shop rags, appropriate cutting tool (reciprocating saw or hand saw)	
<i>(1) Tightening to torque value or other moderate tools and techniques required</i>		

### KIT CONTENTS

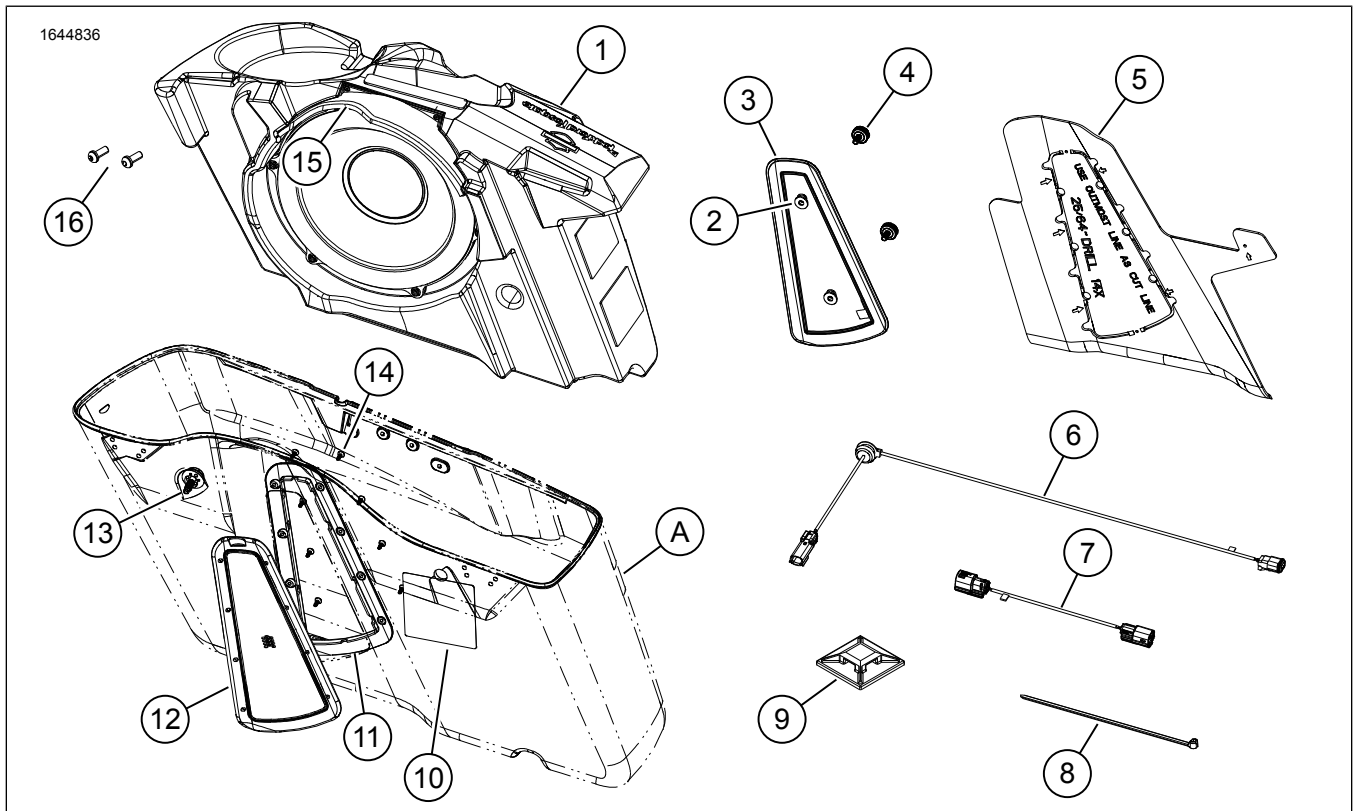


Figure 1. Kit Contents: Sub Woofer, Primary (Right Saddlebag)

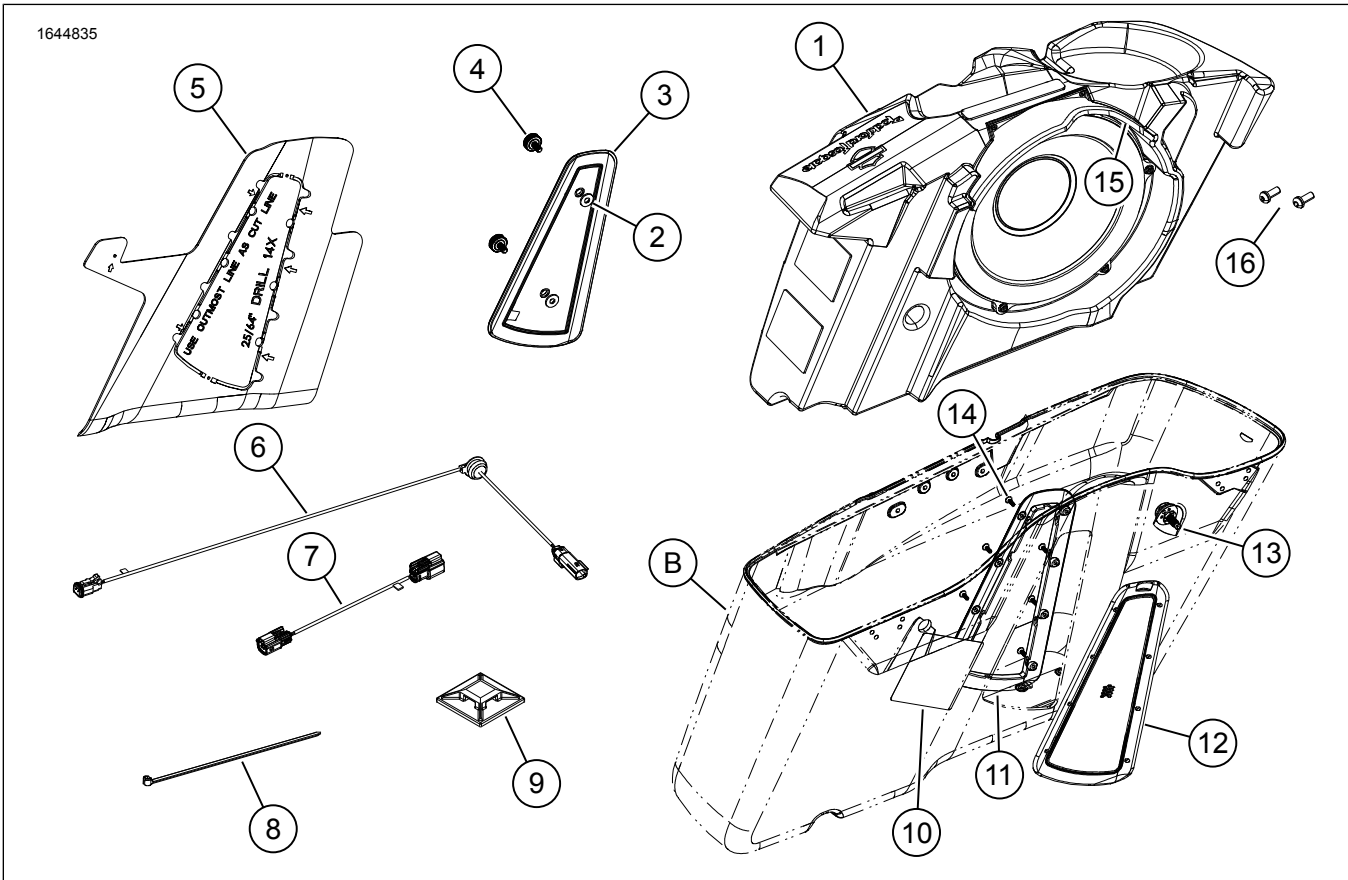


Figure 2. Kit Contents: Sub Woofer, Secondary, (Left Saddlebag)

**Table 2. Kit Contents: Sub Woofer**

<input checked="" type="checkbox"/>	Verify that all contents are present in the kit before installing or removing items from vehicle.				
	Item	Qty	Description	Part No.	Notes
<input type="checkbox"/>	1	1	Sub woofer, primary (right saddlebag)	Not sold separately	
<input type="checkbox"/>		1	Sub woofer, secondary (left saddlebag)	Not sold separately	
<input type="checkbox"/>	2	2	Washer, EPDM	57765-99	
<input type="checkbox"/>	3	1	Plug panel, right	76001188	
<input type="checkbox"/>		1	Plug panel, left	76001176	
<input type="checkbox"/>	4	2	Thumb screw	10500211	
<input type="checkbox"/>	5	1	Drill template, right saddlebag	76001189	
<input type="checkbox"/>		1	Drill template, left saddlebag	76001177	
<input type="checkbox"/>	6	1	Internal harness	69203012	
<input type="checkbox"/>	7	1	External harness, primary (right saddlebag)	69203031	
<input type="checkbox"/>		1	External harness, secondary (left saddlebag)	69203032	
<input type="checkbox"/>	8	6	Cable strap	10065	
<input type="checkbox"/>	9	6	Retainer	69200342	
<input type="checkbox"/>	10	1	Label, saddlebag fastener	14003212	
<input type="checkbox"/>	11	1	Inner bezel, right	76001186	
<input type="checkbox"/>		1	Inner bezel, left	76001185	
<input type="checkbox"/>	12	1	Outer bezel assembly, right	76001187	
<input type="checkbox"/>		1	Outer bezel assembly, left	76001175	
<input type="checkbox"/>	13	1	Screw, saddlebag mount	10201365	
<input type="checkbox"/>	14	8	Screw	10201347	
<input type="checkbox"/>	15	1	Top enclosure panel, right	76001170	
<input type="checkbox"/>		1	Top enclosure panel, left	76001193	
<input type="checkbox"/>	16	3	Tapping screw	Not sold separately	
<b>Items mentioned in text, but not included in kit</b>					
<input checked="" type="checkbox"/>	A	1	Right saddlebag		
<input checked="" type="checkbox"/>	B	1	Left saddlebag		

**NOTE**

Verify all contents are present in the kit before installing or removing items from vehicle.

together. Refer to the P&A catalog for fitment recommendations and consult your dealership to ensure optimal performance and compatibility.

**GENERAL**

**NOTE**

The newly installed audio system and speakers will not play audio unless it is configured using the Harley-Davidson audio app or by an authorized Harley-Davidson dealership.

**Models**

For model fitment information, see the Parts and Accessories (P&A) Retail Catalog or the Parts and Accessories section of [www.harley-davidson.com](http://www.harley-davidson.com).

**NOTE**

The various generations of speakers, amplifiers and wiring for Harley-Davidson vehicles were not designed or tested to work

Verify that the most current version of the instruction sheet is used. It is available at: [h-d.com/isheets](http://h-d.com/isheets)

Contact Harley-Davidson Customer Support Center at 1-800-258-2464 (U.S. only) or 1-414-343-4056.

# Electrical Overload

## ⚠ WARNING

When installing any electrical accessory, be certain not to exceed the maximum amperage rating of the fuse or circuit breaker protecting the affected circuit being modified. Exceeding the maximum amperage can lead to electrical failures, which could result in death or serious injury. (00310a)

## NOTICE

It is possible to overload the vehicle's charging system by adding too many electrical accessories. If the combined electrical accessories operating at any one time consume more electrical current than the vehicle's charging system can produce, the electrical consumption can discharge the battery and cause damage to the vehicle's electrical system. (00211d)

See Figure 3, Figure 4, Figure 7 and Figure 5. The subwoofer systems require two channels from the amplifier (amplifiers are four channels) therefore installing both primary and secondary subwoofer kits can only work with two or four speaker systems. Six speaker systems will only work with the primary subwoofer kit.

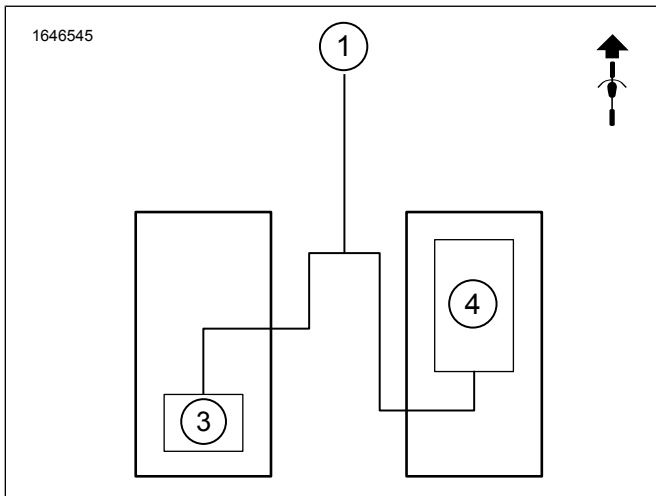


Figure 3. Single Subwoofer, Single Amplifier, Two Speakers

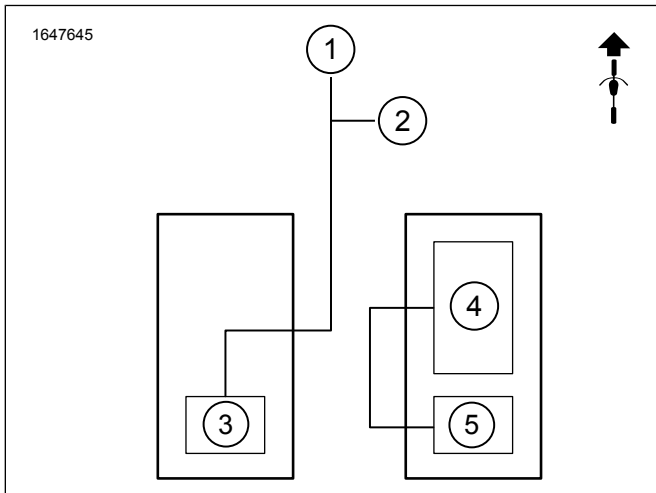


Figure 4. Single Subwoofer, Dual Amplifiers, Four Speakers

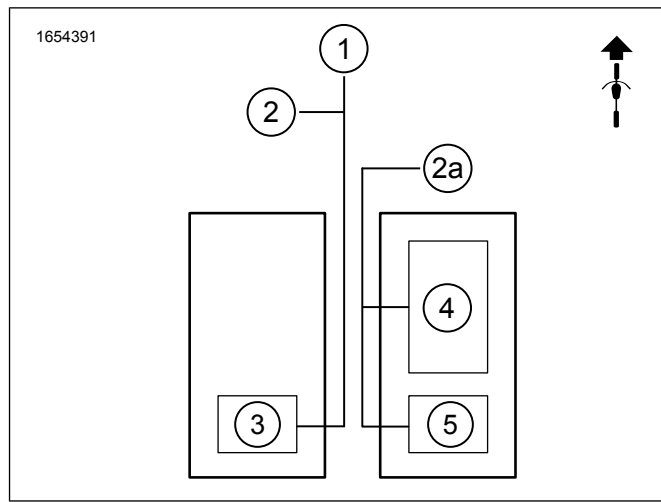


Figure 5. Single Subwoofers, Dual Amplifiers, Six Speakers

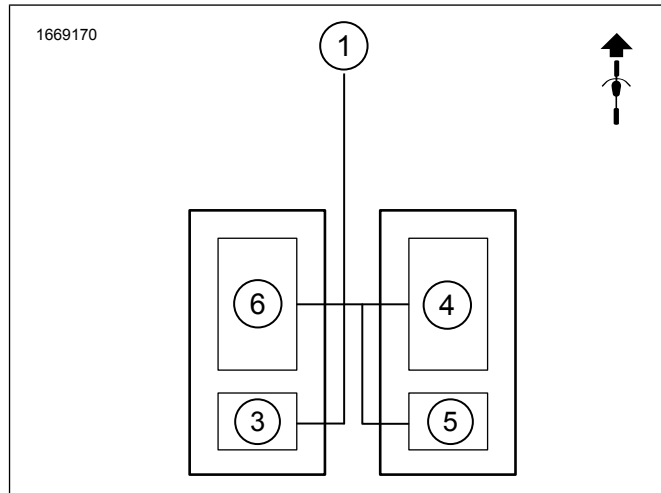


Figure 6. Dual Subwoofers, Dual Amplifiers, Two Speakers

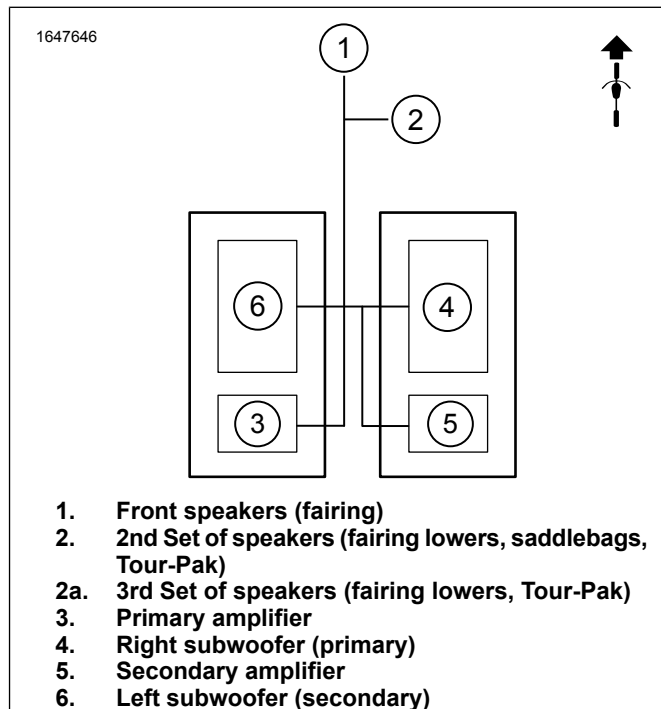


Figure 7. Dual Subwoofers, Dual Amplifiers, Four Speakers

1. Front speakers (fairing)
2. 2nd Set of speakers (fairing lowers, saddlebags, Tour-Pak)
- 2a. 3rd Set of speakers (fairing lowers, Tour-Pak)
3. Primary amplifier
4. Right subwoofer (primary)
5. Secondary amplifier
6. Left subwoofer (secondary)

## Installation Requirements

### ⚠ WARNING

Rider and passenger safety depend upon the correct installation of this kit. Use the appropriate service manual procedures. If the procedure is not within your capabilities or you do not have the correct tools, have a Harley-Davidson dealer perform the installation. Improper installation of this kit could result in death or serious injury. (00333b)

#### NOTE

This instruction sheet references service manual information. A service manual for the year and model motorcycle is required for this installation and is available from:

- A Harley-Davidson dealer.
- H-D Service Information Portal, a subscription-based access available for most 2001 and newer models. For more information see *Frequently ask questions about subscriptions*.

#### NOTE

The saddlebag(s) must be completely empty of any loose items or P&A installed components like the Saddlebag Wall Organizer or Premium Fitted Saddlebag Lining.

These items are available at your Harley-Davidson dealership:

- **2014-2016 CVO and Touring (except FLHRC)** Separate purchase of Harley-Davidson Saddlebag Mount Lever Kit (Part No. 90201540) **is required** for this installation. Two lever screws from kit will be needed to install saddlebag.
- **2014 and Later FLHTKSE, FLTRUSE and Touring:** Separate purchase of Harley-Davidson Primary Amplifier Kit (Part No. 76000974) **is required** for this installation.
- **2014 and Later FLHTKSE, FLTRUSE and Touring:** Separate purchase of Harley-Davidson Primary Amplifier and Dongle Kit (Part No. 76000997) **is required** for this installation.
- **2014 and Later FLHTKSE, FLTRUSE and Touring:** Separate purchase of Harley-Davidson Secondary Audio Amplifier Kit (Part No. 76000990) **may be required** for this installation.
- **2014 and Later FLHTKSE, FLTRUSE and Touring:** Separate purchase of Harley-Davidson Secondary Amplifier Installation Kit (Part No. 76000975) **may be required** for this installation.
- **2014 and Later FLHTKSE, FLTRUSE and Touring:** Separate purchase of Harley-Davidson Fairing Speaker Harness Install Kit (Part No. 76001100) **may be required** for this installation.
- **2021 and Later FLHXSE and FLTRXSE:** Separate purchase of Harley-Davidson Bluetooth Dongle (Part No. 41000771) **is required** for this installation. For use with Harley-Davidson audio app.
- **2021 and Later FLHXSE and FLTRXSE:** Separate purchase of Harley-Davidson Secondary Audio Amplifier Kit (Part No. 76000990) **is required** for this installation.
- **2021 and Later FLHXSE and FLTRXSE:** Separate purchase of Harley-Davidson Secondary Amplifier Installation Kit (Part No. 76000975) **is required** for this installation.

- **2021 and Later FLHXSE and FLTRXSE:** Separate purchase of Harley-Davidson Dual Lock Tape (Part No. 76434-06) **is required** for this installation.
- **2022 and Later FLTRKSE:** Separate purchase of Harley-Davidson Bluetooth Dongle (Part No. 41000771) **is required** for this installation. For use with Harley-Davidson audio app.
- **2022 and Later FLTRKSE:** Separate purchase of Harley-Davidson Secondary Amplifier Installation Kit (Part No. 76000975) **is required** for this installation.
- **2022 and Later FLTRKSE:** Separate purchase of Harley-Davidson Bluetooth Dongle (Part No. 41000771) **is required** for this installation. For use with Harley-Davidson audio app.
- Digital Technician II (DT II) **may be required** to check and update amplifier software. Contact your local Harley-Davidson dealership.
- Vehicle's equipped with Boom!™ Box 4.3 radio, DT II **may be required** to update software. Contact your local Harley-Davidson dealership.
- Vehicle's equipped with Boom!™ Box 6.5 GT radio, DT II **may be required** to update software. Contact your local Harley-Davidson dealership.

### ⚠ WARNING

Rider and passenger safety depend upon the correct installation of this kit. Use the appropriate service manual procedures. If the procedure is not within your capabilities or you do not have the correct tools, have a Harley-Davidson dealer perform the installation. Improper installation of this kit could result in death or serious injury. (00333b)

Installation by a technician at a Harley-Davidson dealership is recommended.

## PREPARE

1. Remove both saddlebags. See service manual.
2. Remove side covers. See service manual.
3. Remove main fuse. See service manual.
4. Remove seat. See service manual.
5. Remove left side caddy. See service manual.
6. Remove top caddy. See service manual.
7. Remove lower backbone caddy. See service manual.

## SADDLEBAGS

### Right Saddlebag

1. See Figure 8. Position drill template on right saddlebag.

#### NOTE

Do not modify left saddlebag unless a second subwoofer is being installed.

- a. Mask off entire drill template (2) area on right saddlebag (1) with masking tape.
- b. Install drill template (2).
- c. Secure entire perimeter of drill template (2) with tape.
- d. Install tapping screws (3) to hold down drill template (2).

2. See Figure 9. Using a marker, trace drill template outline (1) onto saddlebag's masking tape.

3. See Figure 8. Modify right saddlebag (1).

- a. Drill pilot holes in drill locations (4, 5, 6) using 1/8-inch drill bit.
- b. **Relief Holes:** Drill six 25/64-inch relief holes (4).
- c. **Screw Holes:** Drill eight 25/64-inch screw holes (6).

**NOTE**

*When riding in rain, water will potentially come through the bezel grille. Drain hole is required for water drainage.*

- d. See Figure 10. **Drainage Holes:** Drill two 1/4-inch drainage holes (3) in the approximate location.
- e. See Figure 9. With drill template still in place and using an appropriate saw, cut along the outer part of template outline (1).
- f. Remove tapping screws (3), drill template and tape from saddlebag.
- g. **Grommet Hole:** Drill 3/4-inch grommet hole (5) where tapping screw (3) was removed.
- h. Deburr holes and template outline by lightly sanding the surface.
- i. Clean all surfaces of the body work with 50-70% isopropyl alcohol and 30-50% distilled water. Allow to dry completely.

4. See Figure 1. Install saddlebag fastener label (10).

- a. Install label near rear mounting lever screw.

5. See Figure 11. Test fit inner (2) and outer (1) bezels on saddlebag.

- a. Install and lightly tighten screws (8).
- b. Make sure components fit properly.
- c. Remove screws and bezels (1, 2).
- d. Make adjustments as needed.

6. Remove VHB tape backing from bezel.

7. See Figure 12. Apply silicone caulk (3) to inner (1) and outer (2) bezels.

**NOTE**

*To assist in preventing water intrusion in saddlebag, silicone caulk is applied as an extra measure of protection.*

8. See Figure 11. Install inner (2) and outer (1) bezels on saddlebag.

- a. Install screws (3).

**NOTE**

**DO NOT over tighten bezel screws.**

- b. See Figure 13. Tighten in sequence.

Torque: 0.4–0.6 N·m (4–5 **in-lbs**) *Bezel screws*

9. See Figure 14. To maximize seal performance, use wooden wedges on inner bezel (1). Hold in place for 24 hours.

- a. For maximum corner adhesion, place wooden wedge in area as directed by arrow.

10. See Figure 15. Install harness 69203012 (5) into right saddlebag.

- a. See Figure 17. Rotate grommet until proper harness routing is achieved.

11. See Figure 15. Connect harness 69203031 (4) to harness 69203012 (5).

**NOTE**

*Kit 90201540 needs to be installed for securing saddlebags. See Refer to Installation Requirements.*

12. Install right saddlebag.

- a. Install OE rear saddlebag mount screw.
- b. See Figure 1. Install saddlebag front mount screw (13) from kit. Tighten.  
Torque: 5–5.6 N·m (44–50 **in-lbs**) *Saddlebag front mount screw*

13. Connect harness 69203031 to:

- a. See Figure 3. For single subwoofer, single amplifier and two speaker setup. Harness connector will need to be rewired. Refer to Rewire Harness 69203031. Failure to rewire connector will result in no audio. **NOTE:** If saddlebag speakers are added after subwoofer is installed, the original configuration of harness 69203031 will have to be used. Wires in cavities one and four.
- b. Primary amplifier harness connector [351A] (audio out). See Figure 3. **Equipped with Single Subwoofer, Single Amplifier, Two Speakers.**
- c. Secondary amplifier harness connector [352A\_1] or [352A\_2] (audio out). See Figure 4. **Equipped with Single Subwoofer, Dual Amplifiers, Four or Six Speakers.**

14. See Figure 16. Route and secure harnesses with cable straps.

- a. Make sure harnesses do not interfere with moving parts.
- b. Use factory harness anchor points.

15. See Figure 19. Install subwoofer (2).

16. See Figure 15. Connect harness 69203012 (5) into subwoofer connector (2). See Figure 19.

17.

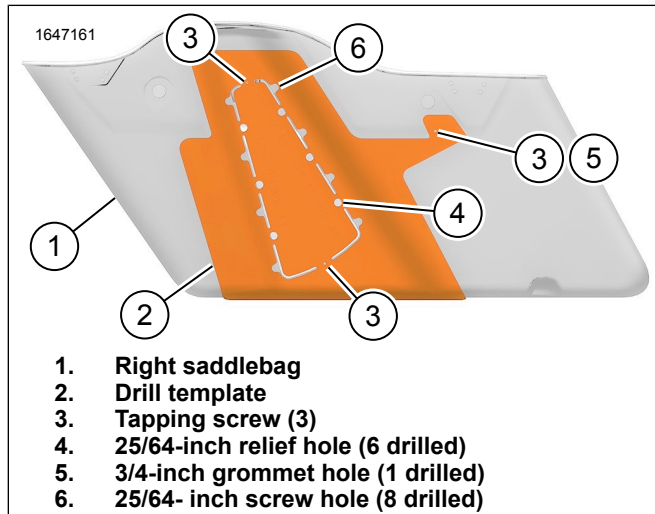


Figure 8. Right Saddlebag Drill Template

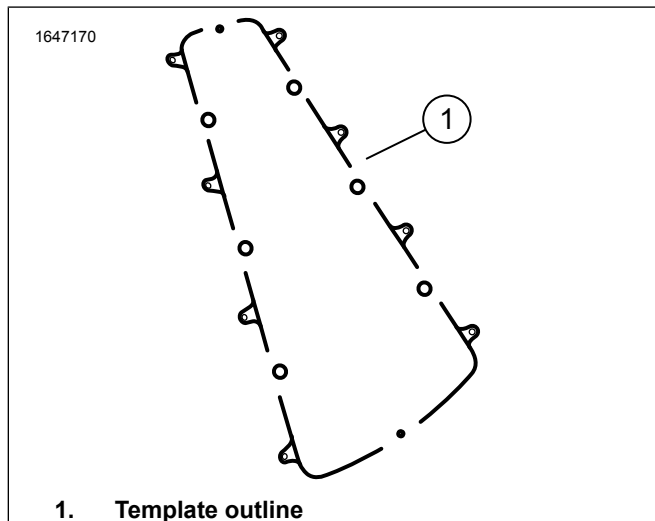


Figure 9. Template Outline

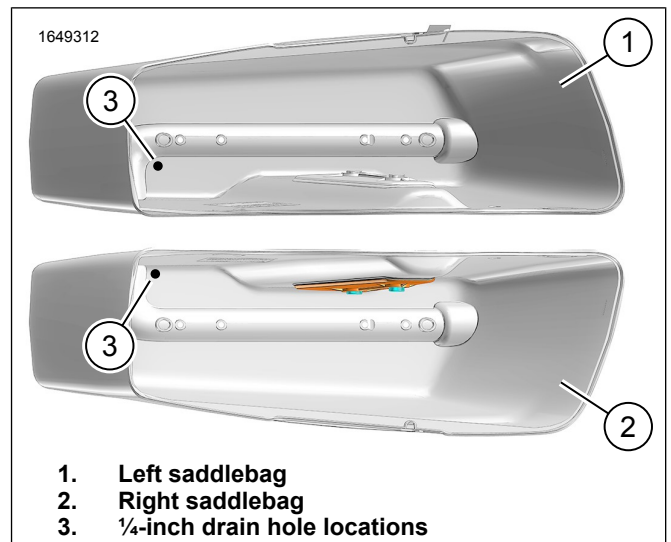


Figure 10. Drainage Hole Placement

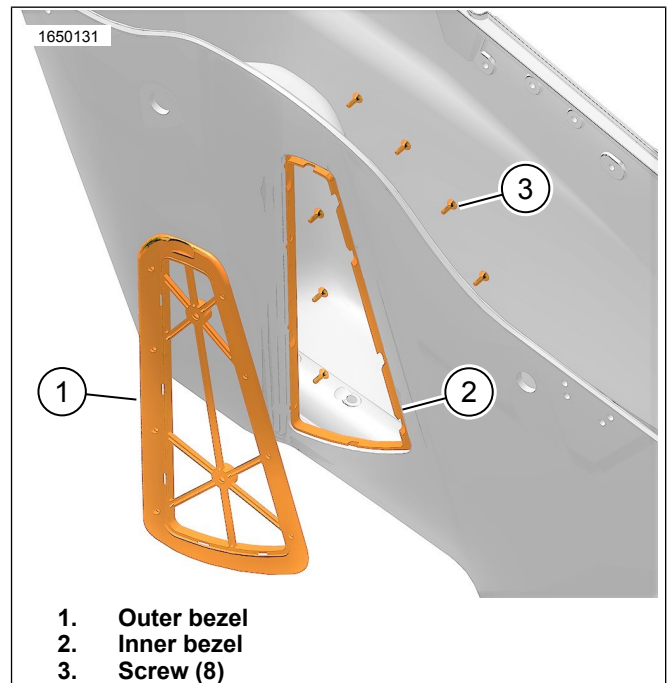


Figure 11. Test Fit Bezels

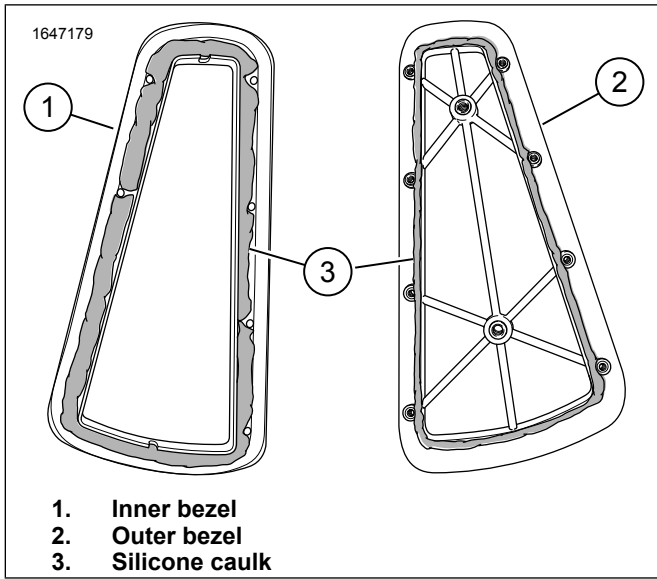


Figure 12. Bezels

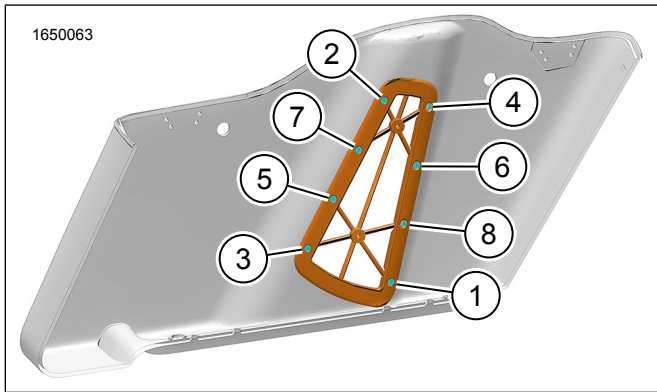


Figure 13. Torque Sequence - Bezel Screws

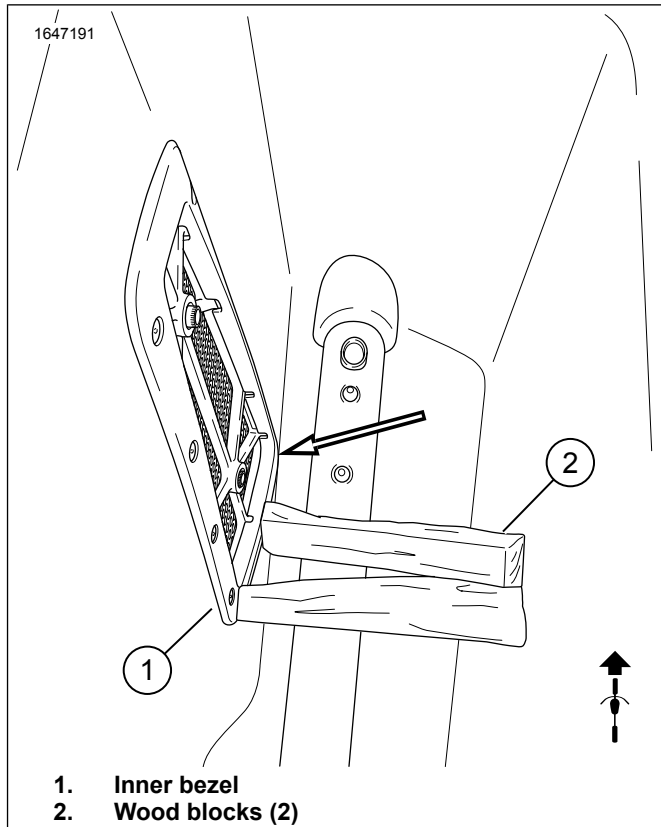


Figure 14. Wooden Wedge

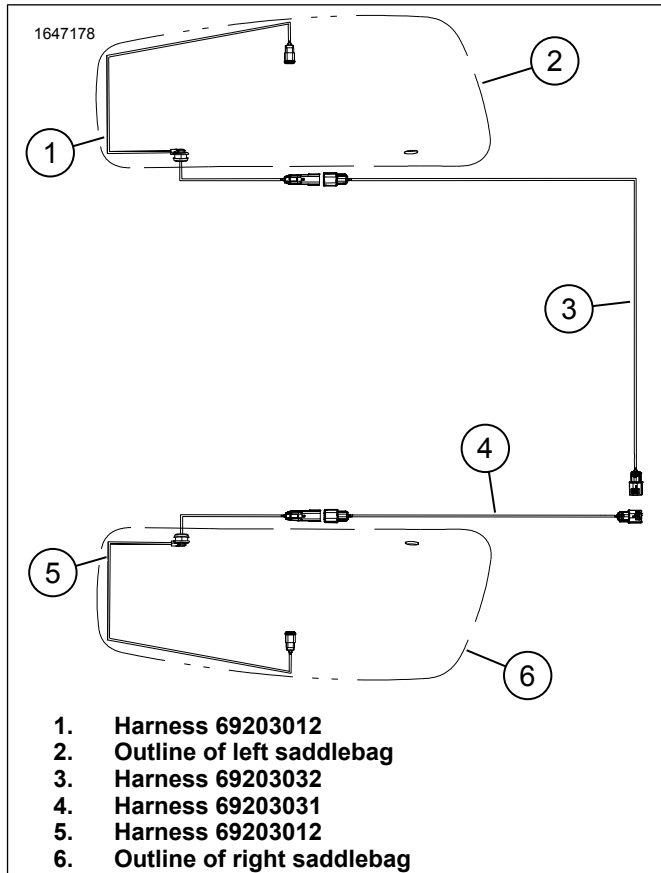


Figure 15. Subwoofer Harness Routing



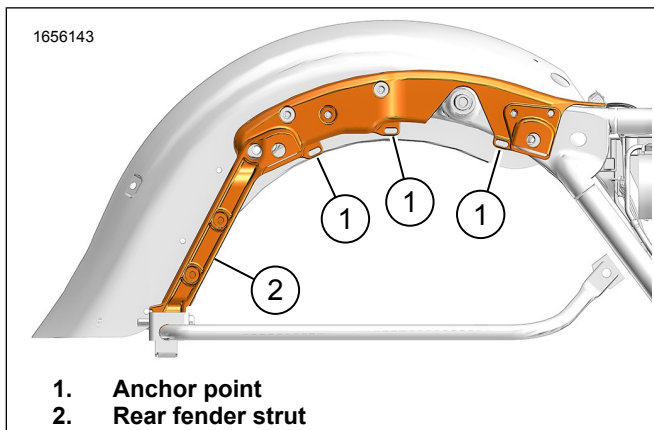


Figure 16. Rear Fender Strut

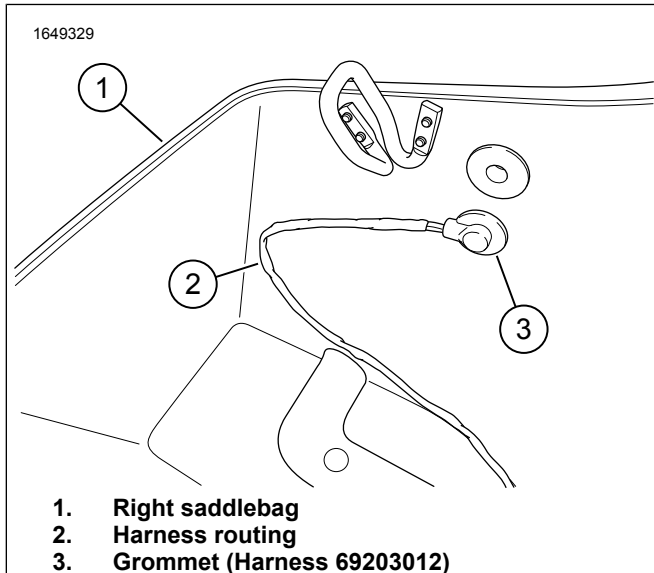


Figure 17. Right Saddlebag Harness Routing

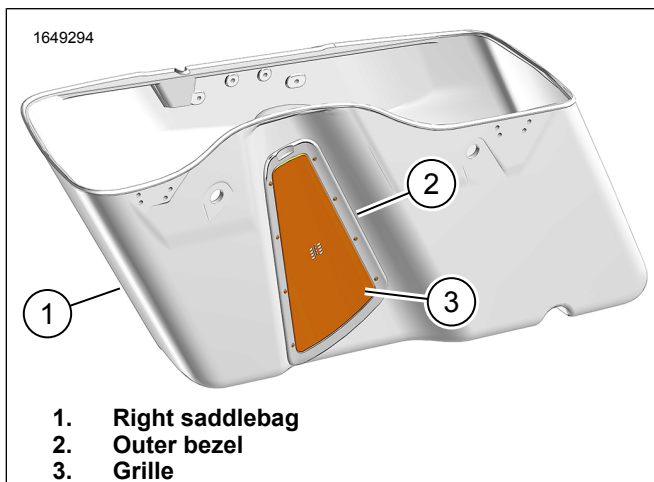


Figure 18. Outer Bezel

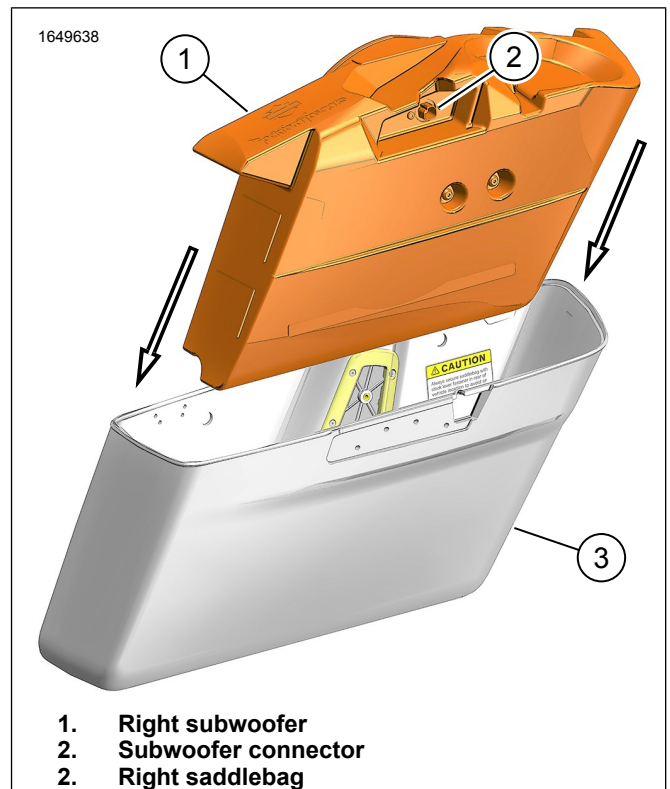


Figure 19. Install Subwoofer

### Left Saddlebag

1. See Figure 20. Repeat procedures 1-8 from right saddlebag.
2. See Figure 15. Install harness 69203012 (5) into right saddlebag.
  - a. See Figure 17. Rotate grommet until proper harness routing is achieved.
3. See Figure 15. Connect harness 69203032 (3) to harness 69203012 (5).
4. Install left saddlebag.
  - a. Install OE rear saddlebag mount screw.
  - b. See Figure 1. Install front saddlebag mount screw (13) from kit.
5. Connect harness 69203032 to:
  - a. Secondary amplifier harness connector [352A\_1] or [352A\_2] (audio out). See Figure 7. **Equipped with Dual Subwoofers, Dual Amplifiers, Four Speakers.**
6. Route and secure harnesses with cable straps.
  - a. Make sure harnesses do not interfere with moving parts.
  - b. Use factory harness mounting points.

- See Figure 19. Install subwoofer (2).
- See Figure 15. Connect harness 69203012 (5) into subwoofer connector (2). See Figure 19.

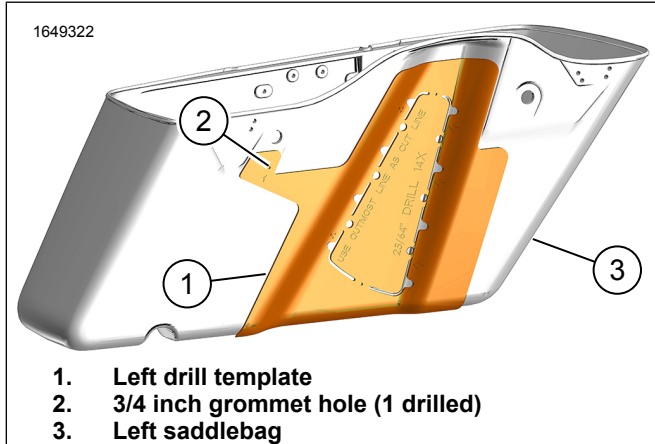


Figure 20. Left Saddlebag Drill Template

### Remove Subwoofer

- Disconnect subwoofer.
- Remove subwoofer from saddlebag.
- See Figure 1. Position EPDM washer (2) on inner side of plug panel (3).
- See Figure 21. Position plug panel (1) over inner bezel.
- Install thumb screws (2). Tighten.

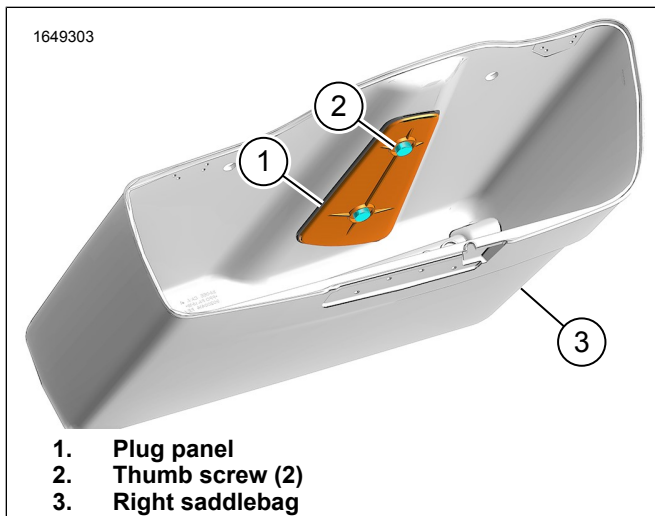


Figure 21. Plug Panel

### Rewire Harness 69203031

#### NOTE

This is for a special configuration. **DO NOT** alter harness unless instructed in procedure.

- See Figure 22. Use special tool to remove terminals from connector.

Special Tool: MOLEX ELECTRICAL CONNECTOR TERMINAL REMOVER (HD-48114)

- Remove light-blue wire (5) from cavity one (1).
- Install light-blue wire (5) into cavity three (3).
- Remove light-blue/black wire (6) from cavity four (4).
- Install light-blue/black wire (6) into cavity two (2).

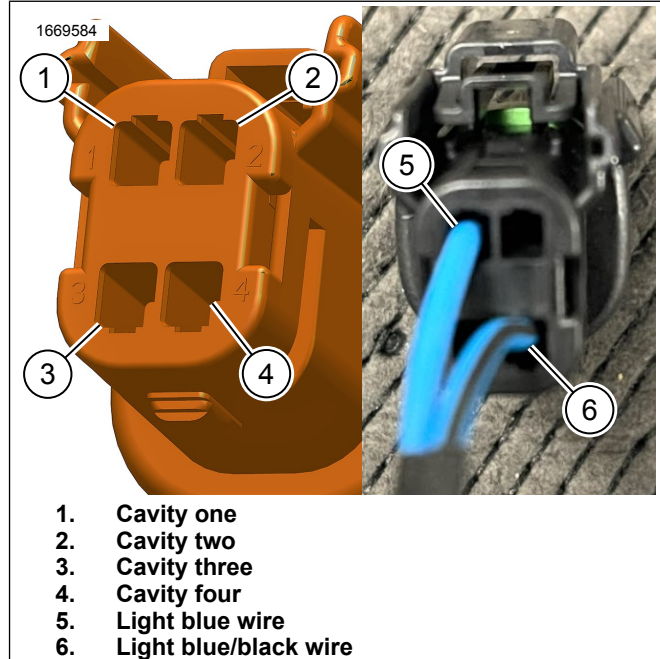


Figure 22. Rewire Harness 69203031

### COMPLETE

- Install lower backbone caddy. See service manual.
- Install top caddy. See service manual.
- Install left side caddy. See service manual.
- Install seat. See service manual.
- Install main fuse. See service manual.
- Install side covers. See service manual.
- Install both saddlebags. See service manual.