



# INSTRUCTIONS

94100222

2022-04-10



## QUICK RELEASE WINDSHIELD - SHORT

### GENERAL INFORMATION

Table 1. General Information

Kits	Suggested Tools	Skill Level <sup>(1)</sup>
57400492	Safety Glasses, Torque Wrench	
<i>(1) Tightening to torque value or other moderate tools and techniques required</i>		

### KIT CONTENTS

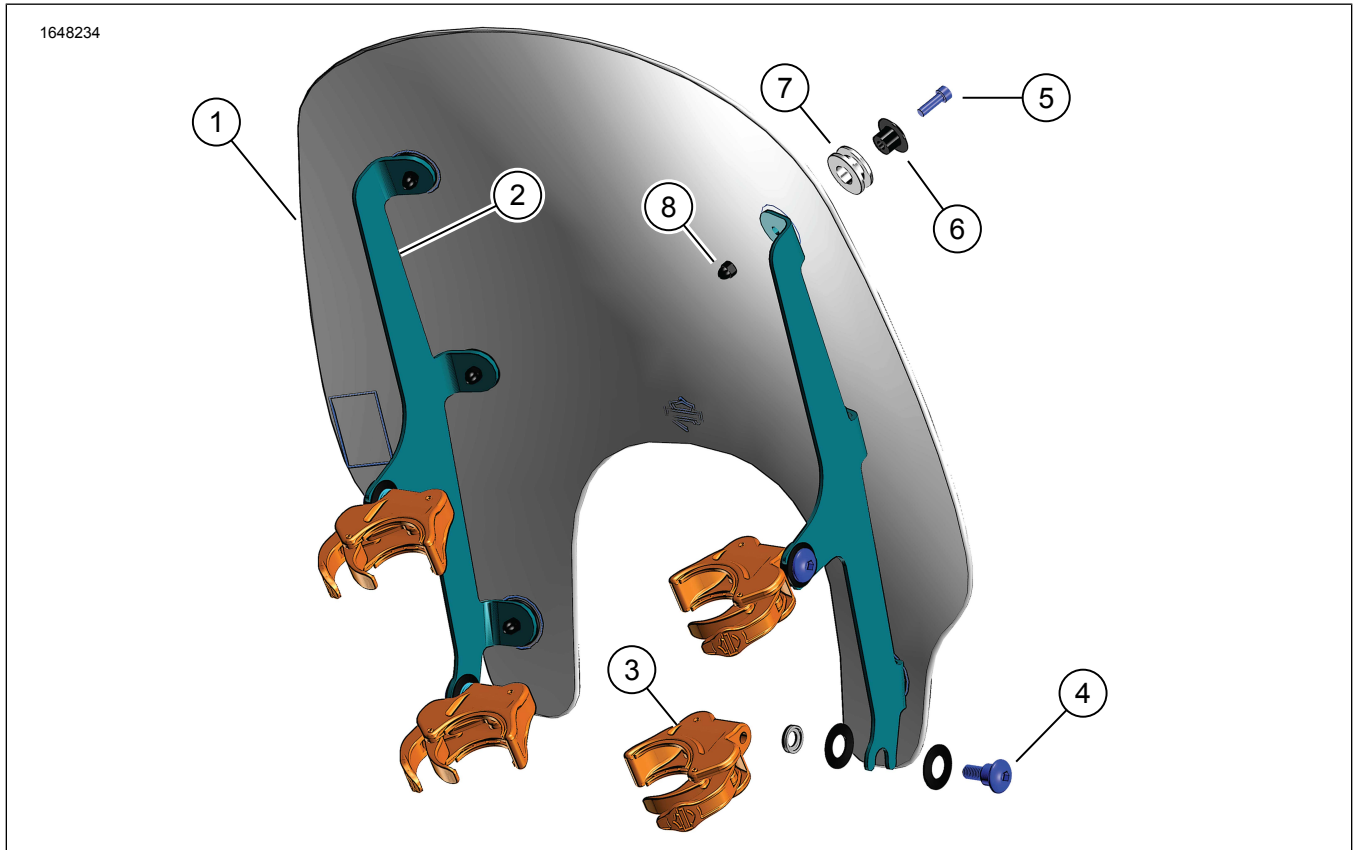


Figure 1. Kit Contents: Quick Release Windshield

**Table 2. Kit Contents: Quick Release Windshield Kit**

<input checked="" type="checkbox"/>	Verify that all contents are present in the kit before installing or removing items from vehicle.				
Item	Qty	Description	Part No.	Notes	
<input type="checkbox"/>	1	1	Windshield, short, light smoke	57400494	
<input type="checkbox"/>	2	1	Windshield bracket kit, left and right	57400594	
<input type="checkbox"/>	3	4	Windshield clamp, 41mm, black	57400495	
<input type="checkbox"/>	4	4	Hardware kit	12600365	
<input type="checkbox"/>	5	6	Screw	10200218	6.8–10.8 N·m (5–8 ft-lbs)
<input type="checkbox"/>	6	6	Mount, windshield, top front, black	57400178	
<input type="checkbox"/>	7	6	Grommet	11564	
<input type="checkbox"/>	8	6	Nut, M5 acorn, black	10400051	

## GENERAL

### Models

For model fitment information, see the Parts and Accessories (P&A) Retail Catalog or the Parts and Accessories section of [www.harley-davidson.com](http://www.harley-davidson.com).

Verify that the most current version of the instruction sheet is used. It is available at: [h-d.com/isheets](http://h-d.com/isheets)

Contact Harley-Davidson Customer Support Center at 1-800-258-2464 (U.S. only) or 1-414-343-4056.

### Installation Requirements

#### ▲ WARNING

Rider and passenger safety depend upon the correct installation of this kit. Use the appropriate service manual procedures. If the procedure is not within your capabilities or you do not have the correct tools, have a Harley-Davidson dealer perform the installation. Improper installation of this kit could result in death or serious injury. (00333b)

#### NOTE

This instruction sheet references service manual information. A service manual for the year and model motorcycle is required for this installation and is available from:

- A Harley-Davidson dealer.
- H-D Service Information Portal, a subscription-based access available for most 2001 and newer models. For more information see *Frequently ask questions about subscriptions*.

## PREPARE

### Assemble Clamps to Windshield

#### NOTE

Cover front fender and front of fuel tank with clean shop towels to prevent scratching. Damage to finish could result.

1. See Figure 2. Remove windshield sub-assembly from packaging.
  - a. Place face down on a clean, soft surface with mount brackets facing upward.
2. See Figure 3. Remove clamps (5) and hardware kits from packaging.
  - a. Separate similar parts in preparation for assembly.

#### ▲ WARNING

The cupped side of the Belleville (cone) washers must face each other and sandwich the windshield mount brackets at each mount point. Failure to orient washers correctly can reduce windshield's ability to break away in a collision, which could result in death or serious injury. (00422b)

3. Pre-assemble clamp assemblies (5) and hardware stacks.
4. One clamp at a time, with clamp (5) facing upward and inboard of windshield bracket (2), tighten shoulder bolts (1) enough to hold clamp orientation to windshield during mounting of windshield to vehicle. Bolts will be fully tightened later.

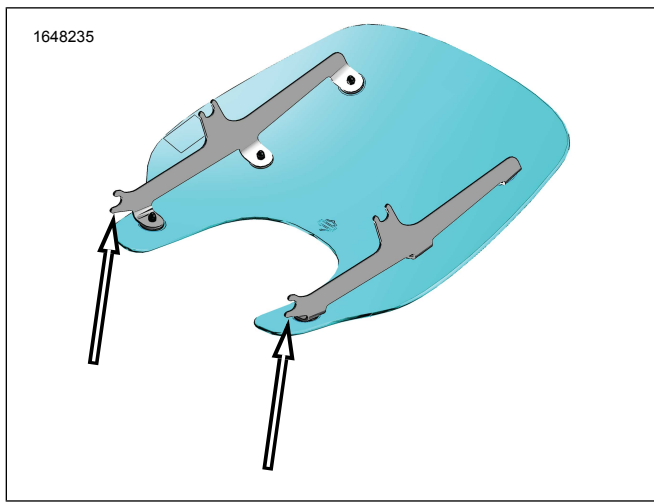
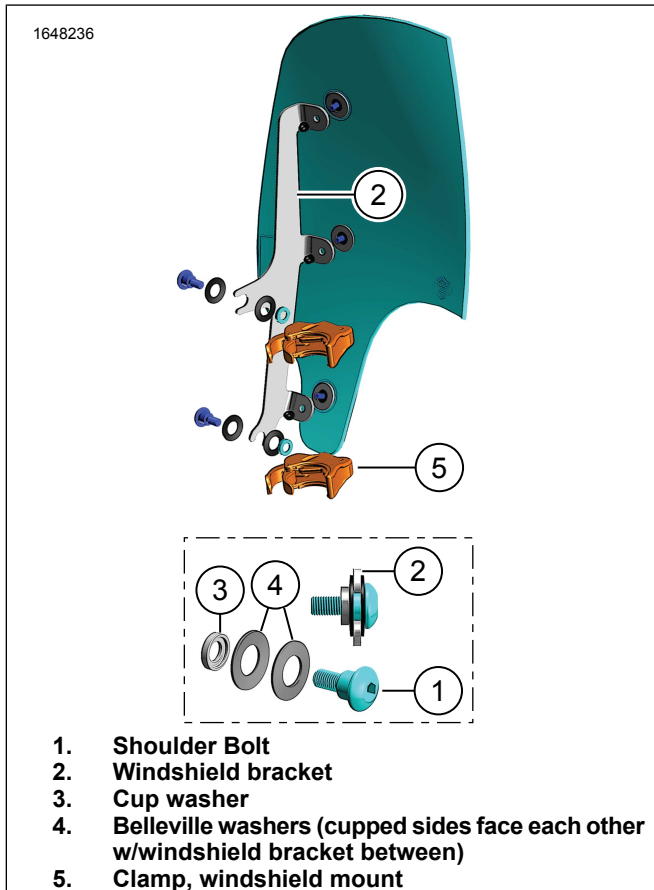


Figure 2. Windshield Mounting Brackets



1. Shoulder Bolt
2. Windshield bracket
3. Cup washer
4. Belleville washers (cupped sides face each other w/windshield bracket between)
5. Clamp, windshield mount

Figure 3. Windshield Mounting Clamps

## REMOVE

1. Remove Original Equipment (OE) speed screen. See service manual.

## Relocate Front Turn Signals

1. See Figure 4. Loosen screw (1) on front turn signal (2).
2. Move front turn signal (2) approximately 30mm (1 3/16 in) (4) up fork tube (3).

3. Tighten screw (1).  
Torque: 3–5 N·m (27–44 in-lbs)
4. Repeat steps on opposite side.

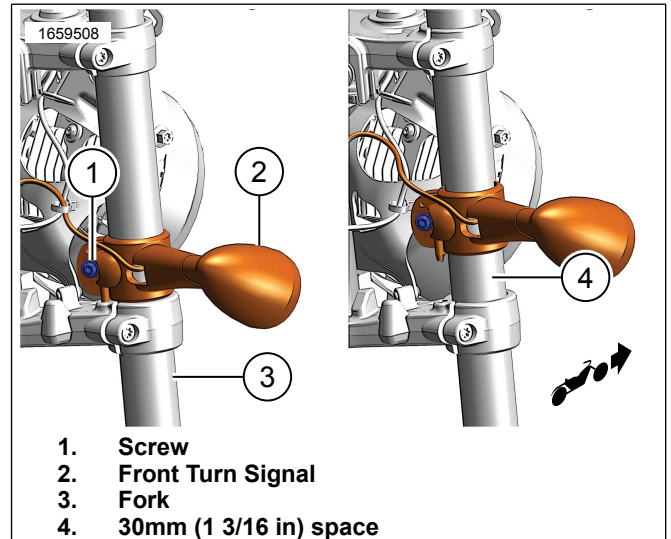


Figure 4. Relocate Turn Signal Brackets

## INSTALL

### NOTE

Polycarbonate windshield is fairly flexible and can be bent to spread clamps away from headlamp to ease installation to vehicle. Take care not to scratch headlamp housing with clamps while positioning windshield to fork sliders.

### NOTE

Keep front wheel straight to prevent brackets from scratching fuel tank.

1. Make sure all four clamps are in "open" position.
2. Bring windshield (with clamp side away from you) to front of vehicle.
3. Straddle front fender, center windshield around headlamp and seat clamps onto fork sliders.

### NOTE

Do not tighten shoulder bolts beyond recommended torque. Over-torquing may cause clamp to twist on fork slider, yielding clamp jaw. A yielded clamp may not carry a preload on fork slider and cause windshield to come loose during use.

4. Starting at bottom (either side) with shoulder bolts just a little more than finger tight, close each clamp.
  - a. Take note that clamps self-align to fork sliders and to each other.

### NOTICE

Do not exceed recommended torque when installing mounting screws. Damage to windshield can result. (00385a)

- With windshield clamps now clamped to fork sliders, make sure that shoulder portion of shoulder bolts are fully seated in each windshield bracket location. Tighten.

Torque: 6.8 N·m (60 in-lbs)

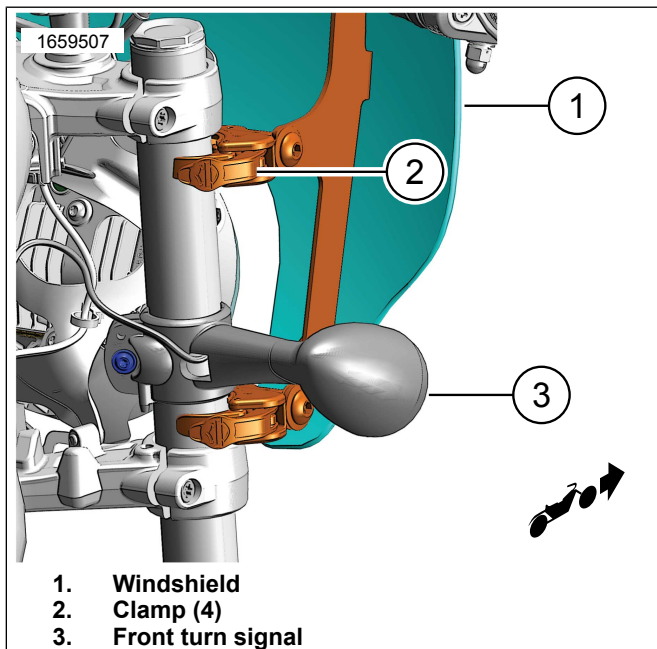


Figure 5. Windshield Installed

**⚠ WARNING**

Improper installation of accessories or loading of cargo can affect motorcycle stability and handling, which could result in death or serious injury. (00455b)

**⚠ WARNING**

Failure to provide adequate clearance between stationary and moving parts can cause loss of control, which could result in death or serious injury. (00378a)

**NOTE**

Inspect windshield upon completion of installation. Be sure windshield mounting does not restrict full left or full right movement of front fork assembly. If restriction does occur, adjust windshield as needed until proper clearance is obtained. Have experienced Harley-Davidson service personnel correct any problems before riding with this accessory installed.

**NOTE**

Check mounting hardware periodically. Never ride with loose mounts. A loose mounting causes extra stress on all other mounts, as well as windshield itself, and could result in premature failure of components.

## Windshield Removal

To remove windshield, open the four clamps, in any sequence, and reverse preceding installation procedures. Take care to not scratch headlamp housing or fuel tank as noted during installation.

When storing windshield, place in a location where windshield clamps will receive greatest protection. Keep away from locations where windshield may be impacted or dropped. Do not stack anything on top of assembly.

Prior to installation after any storage period, inspect clamps and hardware for fastener preload and cleanliness. Each clamp should have a pair of rubber gaskets in clamp saddle that mates to fork slider, and should cycle open and close freely.

## MAINTENANCE

**NOTE**

Sunlight reflections off of inside curvature of a windshield can, at certain times of day, cause extreme heat build-up on Vehicle instruments. Exercise care in parking. Park facing sun, place an opaque object over instruments, or adjust windshield to avoid reflections.

**NOTICE**

Polycarbonate windshields/wind deflectors require proper attention and care to maintain. Failure to maintain polycarbonate properly can result in damage to the windshield/wind deflector. (00483e)

**NOTICE**

Use only Harley-Davidson recommended products on Harley-Davidson windshields. Do not use harsh chemicals or rain sheeting products, which can cause windshield surface damage, such as dulling or hazing. (00231c)

Do not clean polycarbonate in hot sun or high temperature. Powdered, abrasive or alkaline cleanser will damage windshield. Never scrape windshield with a razor blade or other sharp instruments because permanent damage will result.

**NOTE**

Covering windshield with a clean, wet cloth for about 15 minutes before washing will make dried bug removal easier.