



# INSTRUCTIONS

94100259


2022-02-22



## CHIN SPOILER KIT

### GENERAL INFORMATION

Table 1. General Information

Kits	Suggested Tools	Skill Level <sup>(1)</sup>
57200347	Safety Glasses, Torque Wrench	 1 Dark wrench
<i>(1) Only simple tools and techniques required</i>		

### KIT CONTENTS

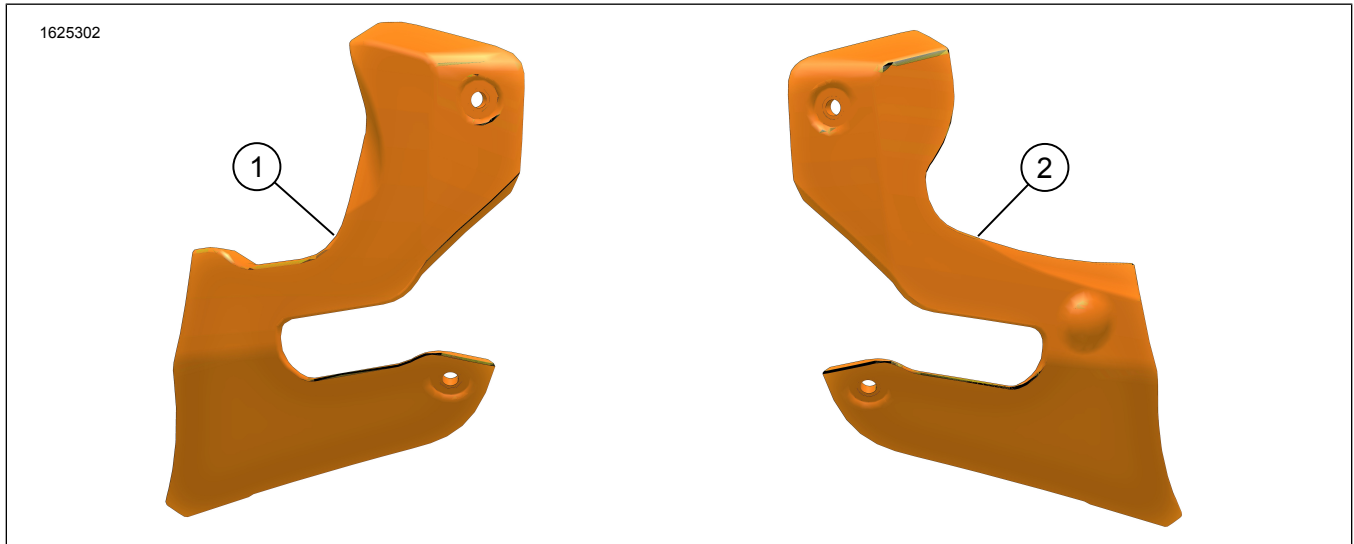


Figure 1. Kit Contents: Chin Spoiler Kit

Table 2. Kit Contents: Chin Spoiler Kit

Verify that all contents are present in the kit before installing or removing items from vehicle.					
<input checked="" type="checkbox"/>	Item	Qty	Description	Part No.	Notes
<input type="checkbox"/>	1	1	Right chin spoiler	Not sold separately	
<input type="checkbox"/>	2	1	Left chin spoiler	Not sold separately	

### GENERAL

#### Models

For model fitment information, see the Parts and Accessories (P&A) Retail Catalog or the Parts and Accessories section of [www.harley-davidson.com](http://www.harley-davidson.com).

Verify that the most current version of the instruction sheet is used. It is available at: [h-d.com/isheets](http://h-d.com/isheets)

Contact Harley-Davidson Customer Support Center at 1-800-258-2464 (U.S. only) or 1-414-343-4056.

### Installation Requirements

#### ⚠ WARNING

Rider and passenger safety depend upon the correct installation of this kit. Use the appropriate service manual procedures. If the procedure is not within your capabilities or you do not have the correct tools, have a Harley-Davidson dealer perform the installation. Improper installation of this kit could result in death or serious injury. (00333b)

#### NOTE

This instruction sheet references service manual information. A service manual for the year and model motorcycle is required for this installation and is available from:

- A Harley-Davidson dealer.
- *H-D Service Information Portal*, a subscription-based access available for most 2001 and newer models. For more information see *Frequently ask questions about subscriptions*.

## REMOVE

1. Remove right and left side OE chin spoiler. See service manual.
  - a. Save OE screws for later use.

## INSTALL

1. See Figure 2. Install right chin guard (1).
  - a. See Figure 3. Make sure mounting tabs are attached to center chin guard properly.
2. See Figure 2. Install OE screws (2). Tighten.  
Torque: 7–9 N·m (62–80 in-lbs)

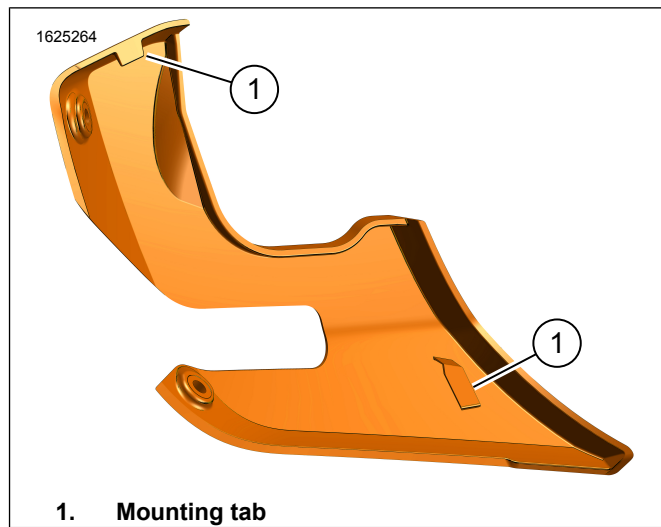


Figure 3. Mounting Tabs

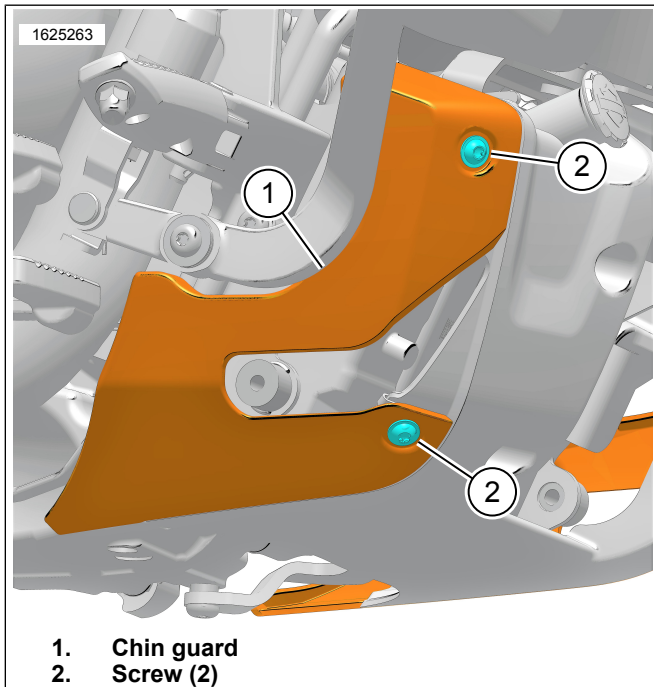


Figure 2. Chin Guard Installed