



INSTRUCTIONS

94100266

2022-04-27



FAIRING SUPPORT BRACKET KIT

GENERAL INFORMATION

Table 1. General Information

Kits	Suggested Tools	Skill Level ⁽¹⁾
47200927	Safety Glasses, Torque Wrench	
<i>(1) Tightening to torque value or other moderate tools and techniques required</i>		

KIT CONTENTS

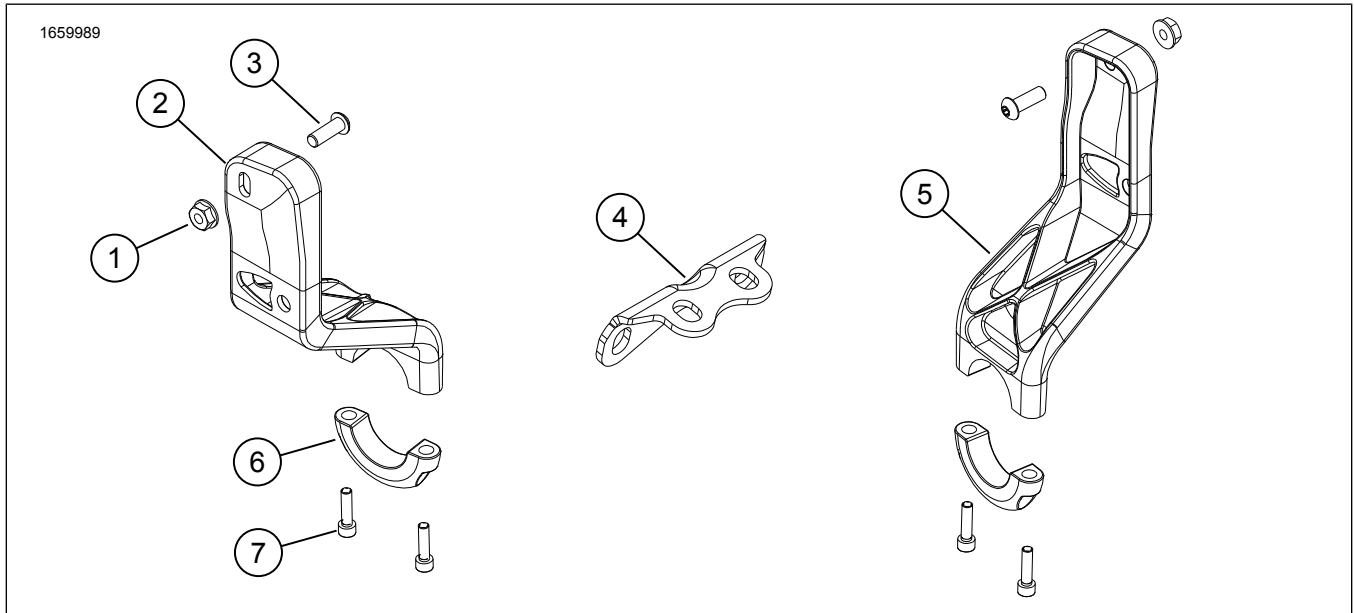


Figure 1. Kit Contents: Engine Guard Fairing Support Bracket Kit

Table 2. Kit Contents: Engine Guard Fairing Support Bracket Kit

Verify that all contents are present in the kit before installing or removing items from vehicle.					
<input checked="" type="checkbox"/>	Item	Qty	Description	Part No.	Notes
<input type="checkbox"/>	1	2	Flange nut	7354	
<input type="checkbox"/>	2	1	Fairing support bracket, right	Not sold separately	
<input type="checkbox"/>	3	2	Screw, button	10201360	
<input type="checkbox"/>	4	1	Engine mount bracket	16400061	
<input type="checkbox"/>	5	1	Fairing support bracket, left	Not sold separately	
<input type="checkbox"/>	6	2	Clamp	47200944	
<input type="checkbox"/>	7	4	Screw, socket	10201256	
Service Kit Information					
		1	Hardware service kit	12600368	Contains 2 each of items: 1 and 3 Contains 4 each of item: 7

GENERAL

Models

For model fitment information, see the Parts and Accessories (P&A) Retail Catalog or the Parts and Accessories section of www.harley-davidson.com.

Verify that the most current version of the instruction sheet is used. It is available at: h-d.com/isheets

Contact Harley-Davidson Customer Support Center at 1-800-258-2464 (U.S. only) or 1-414-343-4056.

Installation Requirements

▲ WARNING

Rider and passenger safety depend upon the correct installation of this kit. Use the appropriate service manual procedures. If the procedure is not within your capabilities or you do not have the correct tools, have a Harley-Davidson dealer perform the installation. Improper installation of this kit could result in death or serious injury. (00333b)

NOTE

This instruction sheet references service manual information. A service manual for the year and model motorcycle is required for this installation and is available from:

- A Harley-Davidson dealer.
- H-D Service Information Portal, a subscription-based access available for most 2001 and newer models. For more information see *Frequently ask questions about subscriptions*.

PREPARE

1. Remove main fuse. See service manual.
2. Remove windshield. See service manual.
3. Remove outer fairing. See service manual.
 - a. Disconnect headlamp.
4. Remove both front turn signal lamps.
 - a. See Figure 2. Disconnect connector (3).
 - b. Remove screw (1) and washer (6).
 - c. Discard washer (6).
 - d. Remove turn signal (4) and standoff (5).

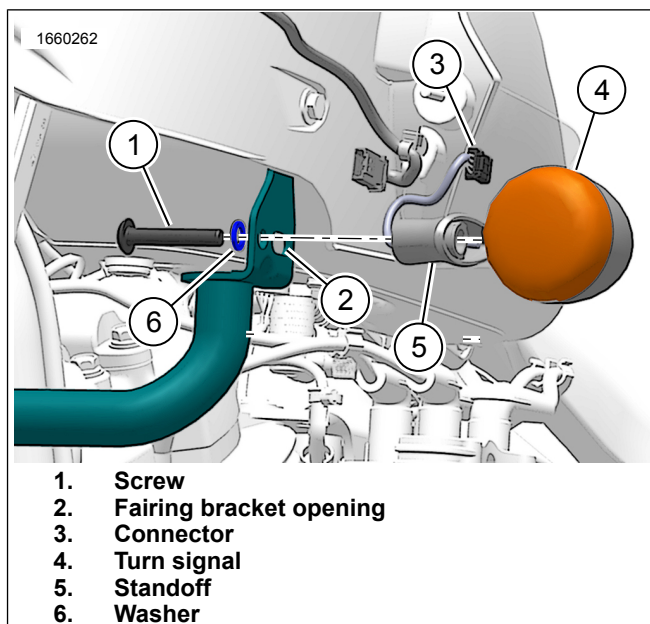


Figure 2. Front Turn Signal Assembly

REMOVE

1. Remove and discard lower fairing mounting bracket.
 - a. See Figure 3. Remove hex screw (1) and washer (2) from both sides of lower fairing mounting bracket (3). Save washer (2) for later use.
 - b. Remove socket head screws (4).
 - c. Remove and discard lower fairing mounting bracket (3).

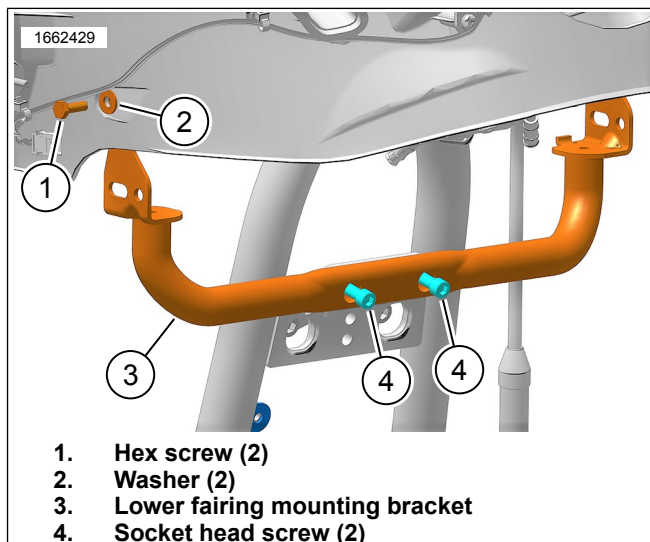


Figure 3. OE Lower Fairing Mounting Bracket

2. Remove OE engine bracket.
 - a. See Figure 4. Remove hex screws (1).
 - b. Remove socket head screws (3).
 - c. Remove and discard OE engine mount bracket (2).

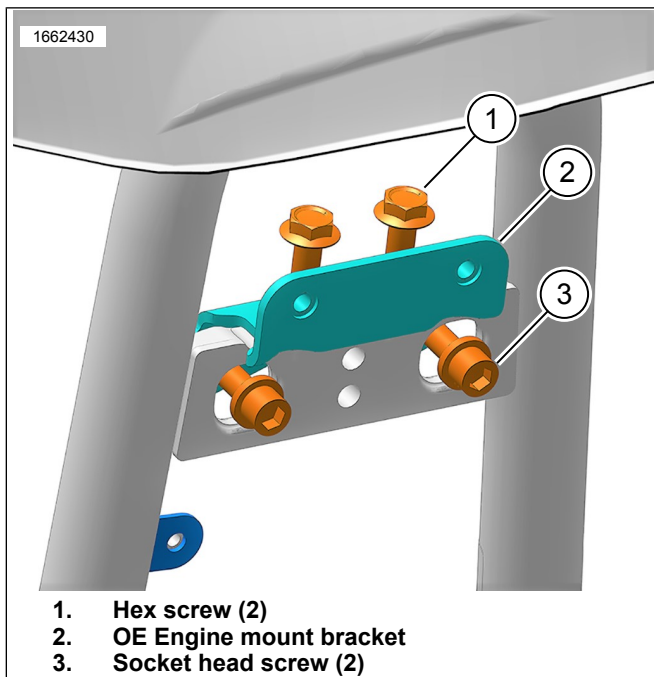


Figure 4. OE Engine Bracket

INSTALL

NOTE

This kit only works with genuine Harley-Davidson engine guards from the Parts and Accessories catalog.

Standard or Mustache Engine Guard

1. Install engine mount bracket from kit.
 - a. See Figure 5. Install engine mount bracket (1).

NOTE

Use OE screws (2) that were previously removed.

- b. Install and hand tighten screws (2).
- c. Install and hand tighten screws (3).
- d. Adjust engine mount bracket (1) as needed.
- e. Tighten screws (2).
Torque: 61–68 N·m (45–50 ft-lbs)
- f. Tighten screws (3).
Torque: 61–68 N·m (45–50 ft-lbs)
2. Install Harley-Davidson engine guard.

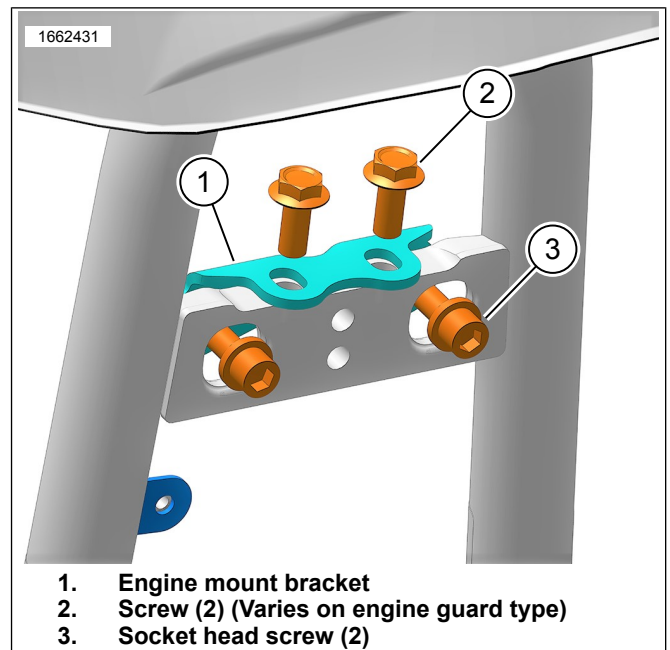


Figure 5. Engine Mount Bracket

Flat-Out Bar

1. See Figure 5. Install engine mount bracket (1).
2. Install and hand tighten screws (3).
3. Install Harley-Davidson engine guard per instructions in that kit.
 - a. See Figure 6. Use screws (1) from kit to secure engine mount bracket and engine guard.
4. See Figure 5. Tighten screws (3).
Torque: 61–68 N·m (45–50 ft-lbs)

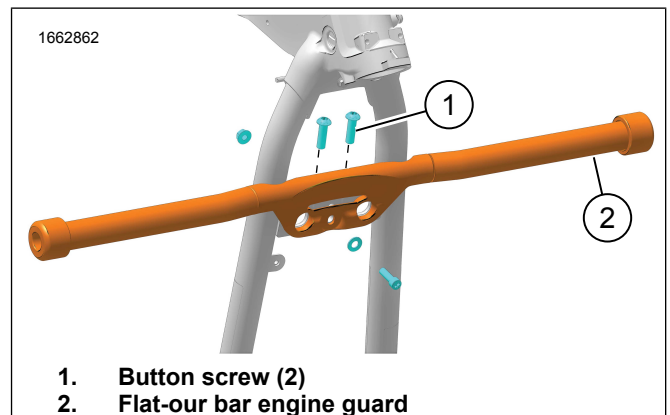


Figure 6. Flat-Out Bar

Fairing Support Brackets

1. See Figure 7. Position right fairing support bracket (4)
 - a. Rest bracket (1) on engine guard.

2. Loosely install button screw (1), washer (3) and nut (2).
 - a. Use washer (3) that was previously removed.
3. Install clamp (5).
4. Loosely install screws (6).
5. Repeat procedure on opposite side.
6. Tighten screws (1).

Torque: 5.4–6.8 N·m (48–60 in-lbs)

 - a. Adjust brackets as needed (4, 7).
7. Tighten screws (6).

Torque: 5.4–6.8 N·m (48–60 in-lbs)

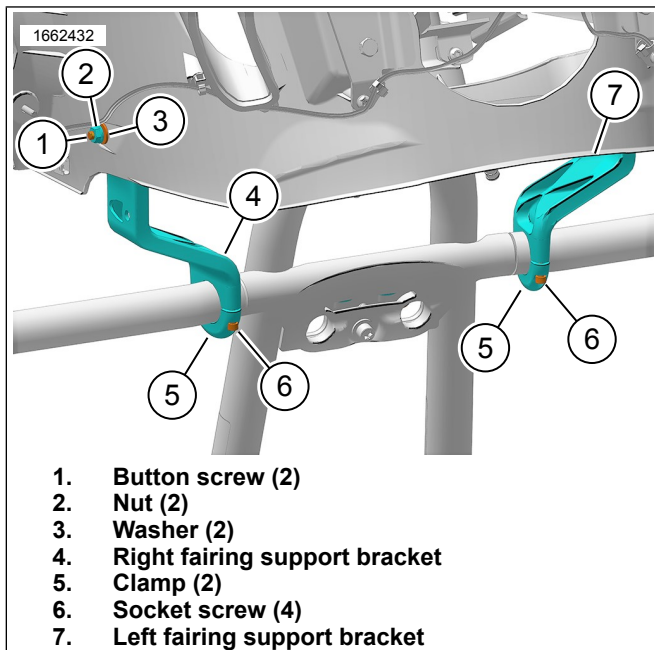


Figure 7. Brackets Installed

COMPLETE

1. Install both front turn signal lamps.
 - a. See Figure 8. Route turn signal harness through fairing support bracket.
 - b. Install standoff (2) turn signal (3).
 - c. Install screw (1). Tighten.

Torque: 20–24.5 N·m (15–18 ft-lbs) *1st Torque*
 - d. Loosen screw (1) a few turns.
 - e. Tighten screw (1).

Torque: 20–24.5 N·m (15–18 ft-lbs) *2nd Torque*
 - f. Connect connector (4).

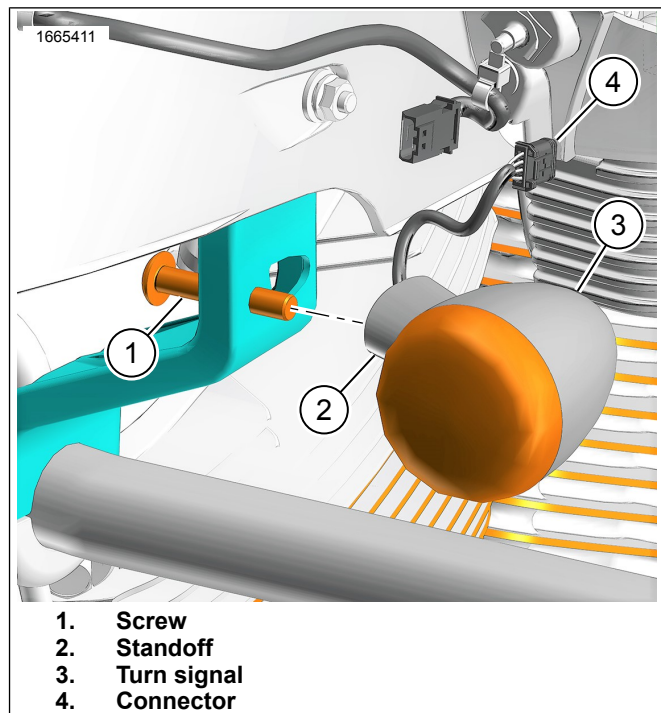


Figure 8.

2. Install outer fairing. See service manual.
 - a. Connect headlamp.
3. Install windshield. See service manual.
4. Install main fuse. See service manual.