



INSTRUCTIONS

94100028

2023-10-20



HEATED HAND GRIPS

GENERAL INFORMATION

Table 1. General Information

Kits	Suggested Tools	Skill Level ⁽¹⁾
56100401, 56100483, 56100487, 56100488	Safety Glasses, Torque Wrench	
<i>(1) Tightening to torque value or other moderate tools and techniques required</i>		

KIT CONTENTS

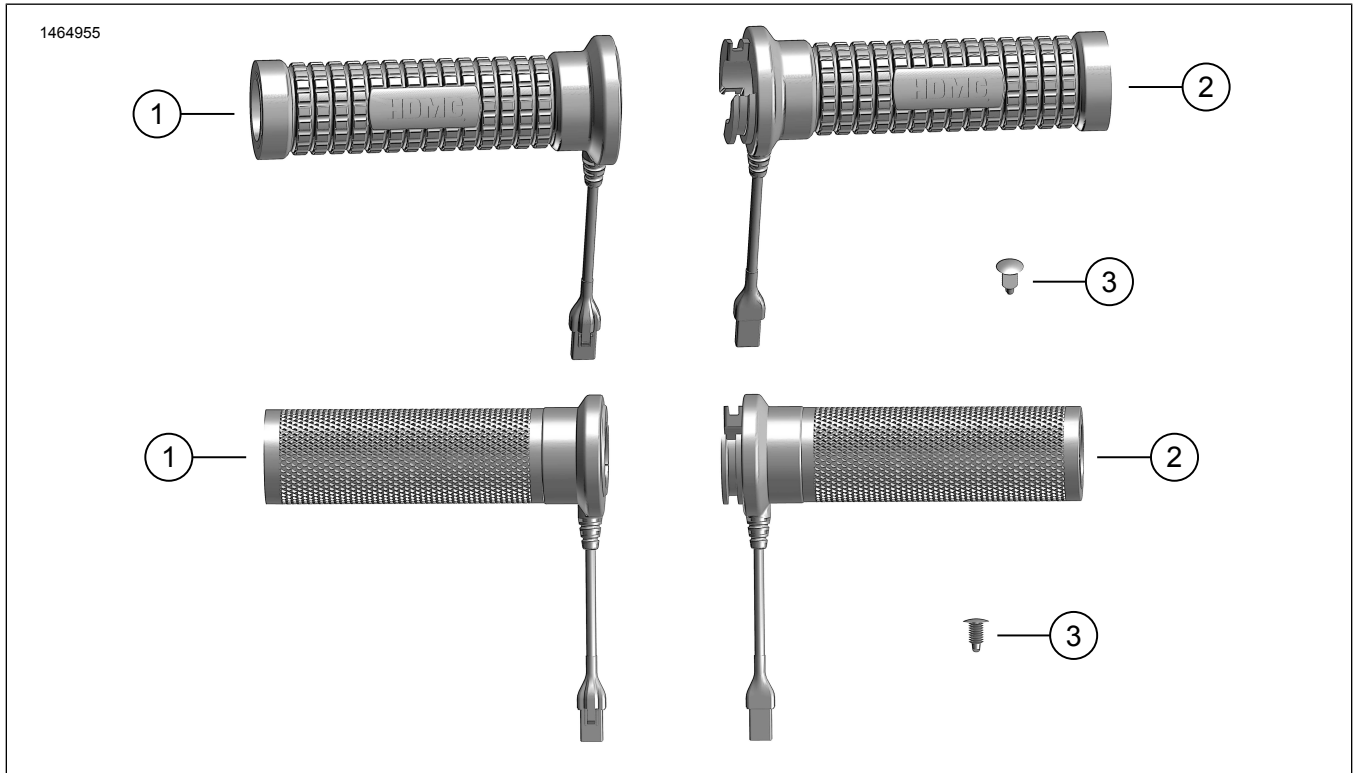


Figure 1. Kit Contents: Tactical Heated Hand Grips

Table 2. Kit Contents: Tactical Heated Hand Grips

Verify that all contents are present in the kit before installing or removing items from vehicle.					
<input checked="" type="checkbox"/>	Item	Qty	Description	Part No.	Notes
<input type="checkbox"/>	1	1	Grip, left	56100404	Kit 56100401
<input type="checkbox"/>				56100491	Kit 56100483
<input type="checkbox"/>				56100515	Kit 56100487, Empire, Black
<input type="checkbox"/>				56100516	Kit 56100488, Empire, Edge cut
<input type="checkbox"/>	2	1	Grip, right	56100403	Kit 56100401
<input type="checkbox"/>				56100490	Kit 56100483
<input type="checkbox"/>				56100512	Kit 56100487, Empire, Black
<input type="checkbox"/>				56100513	Kit 56100488, Empire, Edge cut
<input type="checkbox"/>	3	1	Plug	12100002	

GENERAL

Models

For model fitment information, see the Parts and Accessories (P&A) Retail Catalog or the Parts and Accessories section of www.harley-davidson.com.

Verify that the most current version of the instruction sheet is used. It is available at: h-d.com/isheets

Contact Harley-Davidson Customer Support Center at 1-800-258-2464 (U.S. only) or 1-414-343-4056.

Installation Requirements

DIGITAL TECHNICIAN II (PART NUMBER: HD-48650) is required for Sportster S (RH1250S) models. See Harley-Davidson dealer.

⚠ WARNING

Rider and passenger safety depend upon the correct installation of this kit. Use the appropriate service manual procedures. If the procedure is not within your capabilities or you do not have the correct tools, have a Harley-Davidson dealer perform the installation. Improper installation of this kit could result in death or serious injury. (00333b)

NOTE

This instruction sheet references service manual information. A service manual for the year and model motorcycle is required for this installation and is available from:

- A Harley-Davidson dealer.
- H-D Service Information Portal, a subscription-based access available for most 2001 and newer models. For more information see *Frequently ask questions about subscriptions*.

NOTICE

It is possible to overload the vehicle's charging system by adding too many electrical accessories. If the combined electrical accessories operating at any one time consume more electrical current than the vehicle's charging system can produce, the electrical consumption can discharge the battery and cause damage to the vehicle's electrical system. (00211d)

⚠ WARNING

When installing any electrical accessory, be certain not to exceed the maximum amperage rating of the fuse or circuit breaker protecting the affected circuit being modified. Exceeding the maximum amperage can lead to electrical failures, which could result in death or serious injury. (00310a)

Kit requires up to **2.8 amps** more current from the electrical system.

PREPARE

⚠ WARNING

To prevent accidental vehicle start-up, which could cause death or serious injury, remove main fuse before proceeding. (00251b)

1. Remove main fuse. See service manual.
2. **If equipped:** Remove hand guards. See service manual.
3. If necessary, loosen fasteners for both the clutch lever holder and master cylinder assembly to allow access to cover screws.

REMOVE

Left

1. See Figure 2. Remove end cap (1).

2. See Figure 2. Remove hand grip (2).
 - a. Loosen clamp screw (4).
 - b. See Figure 4. Remove front cover (3).
 - c. See Figure 3. Disconnect heated grip connector (A).
 - d. Remove hand grip.

Right

1. See Figure 2. Remove end cap (1).
2. See Figure 4. Remove front cover (3).
 - a. See Figure 3. Disconnect heated grip connector (A).
3. Remove grip. See service manual.

INSTALL

NOTE

When routing and closing Right and Left Hand Control Modules (R&LHCMs), verify there are no pinched wires. See service manual.

Left

1. See Figure 2. Install hand grip.
 - a. Place grip (2) in position.
 - b. Tighten clamp screw (4).
Torque: 2.5–3.1 N·m (22–27 in-lbs)
2. Install end cap (1). Tighten.
Torque: 14–20 N·m (124–177 in-lbs)
3. See Figure 4. Connect heated hand grip.
 - a. See Figure 3. Connect heat connector (4) in location (A).
 - b. See Figure 4. Place front cover (3) in position.
 - c. Tighten screws (2). 0.6–0.9 N·m (5–8 in-lbs)

Right

1. See Figure 5. Install hand grip.
 - a. Align Twist Grip Sensor (TGS) tabs (2) with gaps in grip (1).
 - b. Place grip (1) in position.

NOTE

When installing Right Hand Control Module (RHCM), verify throttle end play is set correctly. See service manual.

2. See Figure 2. Install end cap (1). Tighten.
Torque: 14–20 N·m (124–177 in-lbs)

3. See Figure 3. Connect heat connector (4) in location (A).
4. See Figure 4. Place front cover (3) in position.
5. Tighten screws (2).
Torque: 0.6–0.9 N·m (5–8 in-lbs)
6. See Figure 6. Install new plug (3).

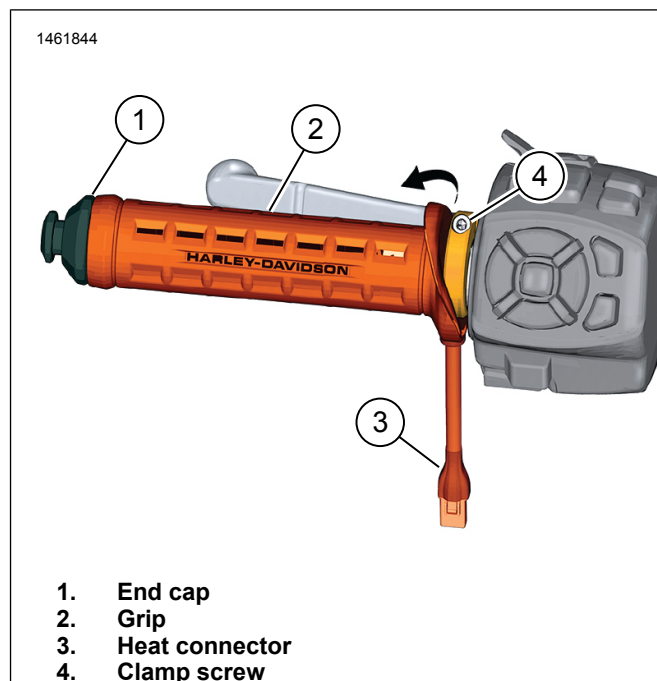


Figure 2. Left side Grip (typical)

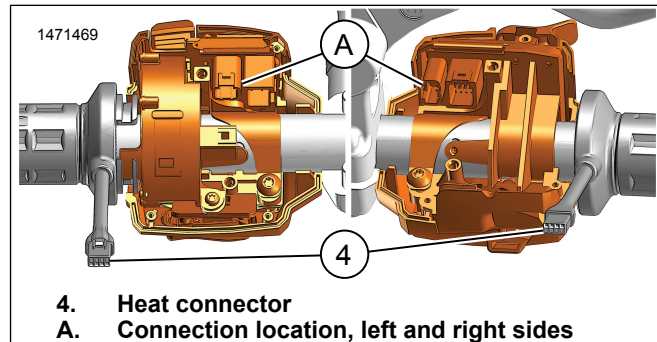


Figure 3. Heat Connector Locations

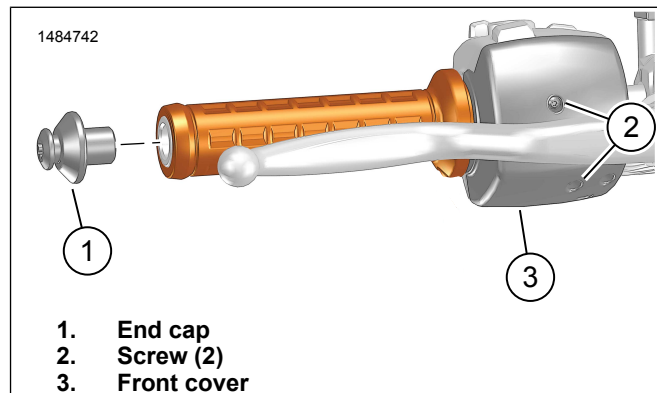


Figure 4. Front Cover (right side shown)

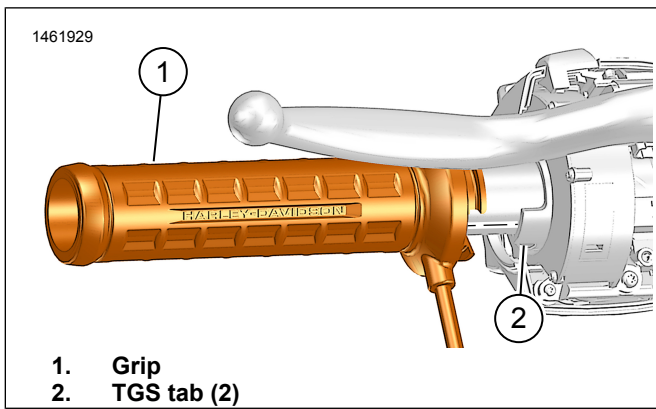


Figure 5. TGS Engagement

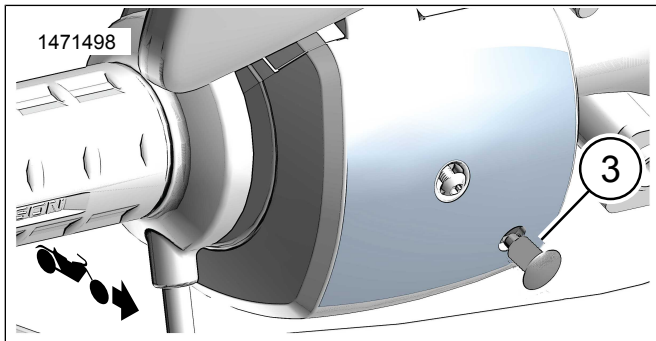


Figure 6. Plug

COMPLETE

1. Tighten fasteners to clutch lever holder and master cylinder assembly if loosened earlier.
Torque: 12.2–14.9 N·m (108–132 **in-lbs**)
2. **If equipped:** Install hand guards. See service manual.
3. Install main fuse. See service manual.
4. Software flash Sportster S (RH1250S) models is required.
See Harley-Davidson dealer.
Special Tool: DIGITAL TECHNICIAN II (HD-48650)

NOTE

Check for free rotation and return of throttle grip before operating vehicle.