



INSTRUCTIONS

J00873

2022-02-01



FLHR WINDSHIELD KIT (INTERNATIONAL)

GENERAL

Kit Number

58325-97, 58325-06, 58325-06A

Models

These kits fit 1994 and later FLHR models. Will also fit FLHRS models with separate purchase of Mounting Hardware Kit, Part Number 58221-04. (Stock on 2006 and later International FLHR models.)

Additional Parts Required

NOTE

A Service Manual for your model motorcycle is available from a Harley-Davidson Dealer.

Kit Contents

See Figure 1 and Table 1.

INSTALLATION

1. Lower the windshield into position by carefully inserting the side brackets between the headlamp housing and the passing lamp supports until the bottom notches are seated on the lower grommets.

NOTE

Be sure that the notches on each bracket are firmly seated on a rubber grommet.

2. Standing at the front of the motorcycle, gently push the top of the windshield toward the rear until the upper notches fully engage the upper grommets.
3. Push down on the wireform latch springs until the springs overhang the rubber grommets.

NOTE

If some adjustment is necessary, loosen the retaining bolts and rotate the latch springs into the proper position.

CARE AND CLEANING

NOTE

Sunlight reflections off of the inside curvature of a windshield can, at certain times of the day, cause extreme heat build-up on motorcycle instruments. Exercise care in parking. Park facing the sun, place an opaque object over the instruments, or adjust the windshield to avoid reflections.

NOTICE

Harley-Davidson windshields are made of Lexan. Lexan is a more durable and distortion-resistant material than other types of motorcycle windshield material, but still requires attention and care to maintain. Failure to maintain Lexan properly can result in damage to the windshield. (00230b)

NOTICE

Use only Harley-Davidson recommended products on Harley-Davidson windshields. Do not use harsh chemicals or rain sheeting products, which can cause windshield surface damage, such as dulling or hazing. (00231c)

NOTICE

Do not use benzine, paint thinner, gasoline or any other type of harsh cleaner on the windshield. Doing so will damage the windshield surface. (00232c)

Do not clean Lexan[®] polycarbonate in hot sun or high temperature. Powdered, abrasive or alkaline cleanser will damage the windshield. Never scrape the windshield with a razor blade or other sharp instruments because permanent damage will result.

NOTE

Covering the windshield with a clean, wet cloth for about 15 minutes before washing will make dried bug removal easier.

Harley-Davidson Windshield Water Repellent Treatment Part Number 99841-01 is approved for use on Harley-Davidson Lexan[®] windshields.



SERVICE PARTS

is02701

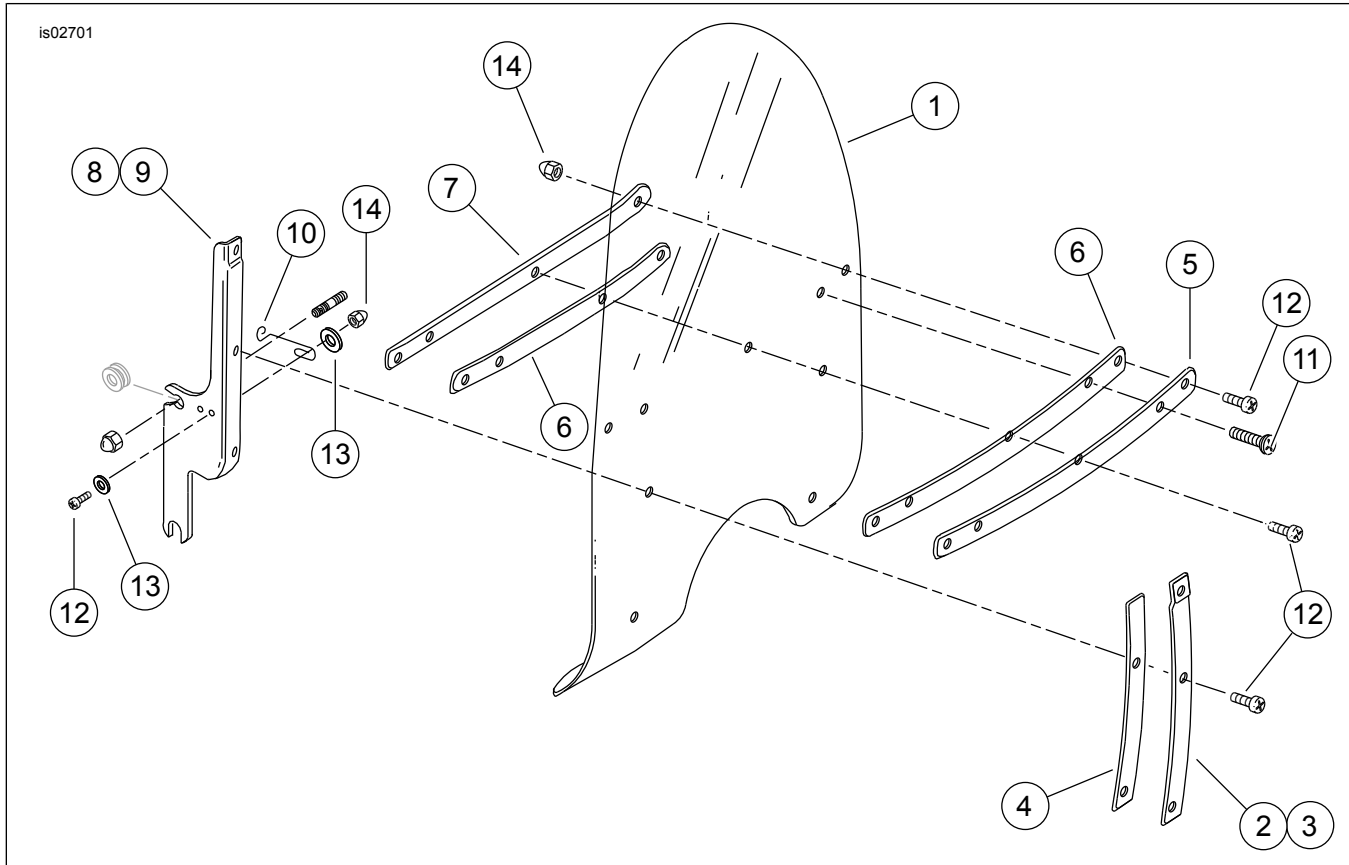


Figure 1. Service Parts: FLHR Windshield Kit (International)

Table 1. Service Parts Table

Item	Description (Quantity)	Part Number
1	Windshield, clear, standard height (for Kit 58325-97)	58327-97
	Windshield, clear, low profile (for Kits 58325-06, 58325-06A)	58327-06
2	Outer RH vertical brace	58406-75A
3	Outer LH vertical brace	58408-75A
4	Outer vertical brace tape (2)	58417-77
5	Outer horizontal brace	58428-94
6	Horizontal brace tape (2)	58416-77A
7	Inner horizontal brace	53431-94
8	RH bracket	58084-94
9	LH bracket	58088-94
10	Spring latches (2)	38722-94
11	Panhead Torx screws (2)	2452
12	Panhead Torx screws (11)	2921A
13	Plain washers (8)	6119
14	Acorn nuts (13)	7651