



INSTRUCTIONS

94100464

2023-01-09



JIFFY STAND AND MOUNT KIT

GENERAL INFORMATION

Table 1. General Information

Kits	Suggested Tools	Skill Level ⁽¹⁾
50000276	Safety Glasses, Torque Wrench, Anti-seize Lubricant	

(1) Tightening to torque value or other moderate tools and techniques required

KIT CONTENTS

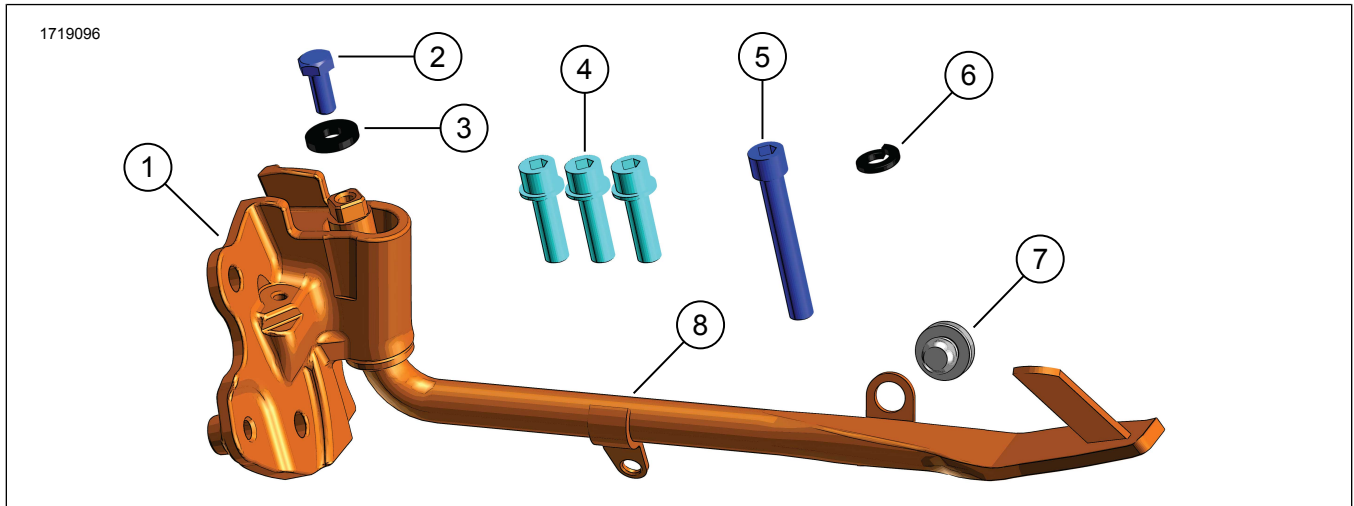


Figure 1. Kit Contents: Jiffy Stand and Mount Kit

Table 2. Kit Contents: Jiffy Stand and Mount Kit

<input checked="" type="checkbox"/>	Verify that all contents are present in the kit before installing or removing items from vehicle.				
Item	Qty	Description	Part No.	Notes	
<input type="checkbox"/>	1	Bracket	50000143		
<input type="checkbox"/>	2	Screw	3445		
<input type="checkbox"/>	3	Washer	6116		
<input type="checkbox"/>	4	Screw	4688		
<input type="checkbox"/>	5	Screw	10200429		
<input type="checkbox"/>	6	Washer	7038		
<input type="checkbox"/>	7	Bumper	50245-07		
<input type="checkbox"/>	8	Leg, jiffy stand	50000149		

GENERAL

Models

For model fitment information, see the Parts and Accessories (P&A) Retail Catalog or the Parts and Accessories section of www.harley-davidson.com.

Verify that the most current version of the instruction sheet is used. It is available at: h-d.com/isheets

Contact Harley-Davidson Customer Support Center at 1-800-258-2464 (U.S. only) or 1-414-343-4056.

Installation Requirements

Separate purchase of ANTI-SEIZE LUBRICANT (98960-97) is required for this installation.

▲ WARNING

Rider and passenger safety depend upon the correct installation of this kit. Use the appropriate service manual procedures. If the procedure is not within your capabilities or you do not have the correct tools, have a Harley-Davidson dealer perform the installation. Improper installation of this kit could result in death or serious injury. (00333b)

NOTE

This instruction sheet references service manual information. A service manual for the year and model motorcycle is required for this installation and is available from:

- A Harley-Davidson dealer.
- H-D Service Information Portal, a subscription-based access available for most 2001 and newer models. For more information see *Frequently ask questions about subscriptions*.

REMOVE

1. Remove rider foot supports. See service manual.
2. Remove jiffy stand leg. See service manual.
3. Remove jiffy stand bracket. See service manual.
4. Clean threaded holes in bike frame.

INSTALL

1. Install jiffy stand bracket (6) using two screws (3). Hand tighten.
2. Install stand leg (5).
 - a. Apply anti-seize lubricant to area of leg that rotates with bracket.
ANTI-SEIZE LUBRICANT (98960-97)
3. Install spring (B).
 - a. Insert one end of spring into hole in frame weldment.
 - b. Insert leg through bracket.

- c. Hold leg forward beyond normal down position.
 - d. Insert other end of spring into hole on leg weldment.
4. Install stand leg stop (A) removed earlier.
 - a. Hold stand leg in normal forward (down) position and install leg stop with stamped side down.
 - b. Verify that longer side of leg stop faces rear.
 5. Install flat washer (2) and hex screw (1). Tighten.
Torque: 20.3–27.1 N·m (15–20 ft-lbs)
 6. Install jiffy stand bumper (4) into hole on jiffy stand leg in orientation shown.
 7. Install rider foot supports (C) using screw (3), screw (7) and lockwasher (8) to jiffy stand bracket (6). Hand tighten.
 8. Tighten three screws (3) and screw (7).
Torque: 48.8–57 N·m (36–42 ft-lbs)

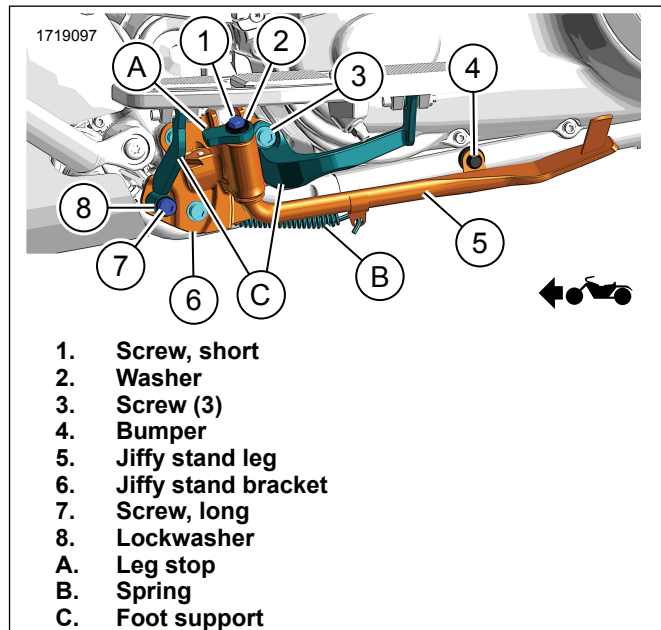


Figure 2. Jiffy Stand and Mount Install