



# INSTRUCTIONS

94100344

2023-01-09



## SINGLE-SIDED SWINGARM BAG

### GENERAL INFORMATION

Table 1. General Information

Kits	Suggested Tools	Skill Level <sup>(1)</sup>
90202530, 90202531	Safety Glasses, Torque Wrench	

(1) Tightening to torque value or other moderate tools and techniques required

### KIT CONTENTS

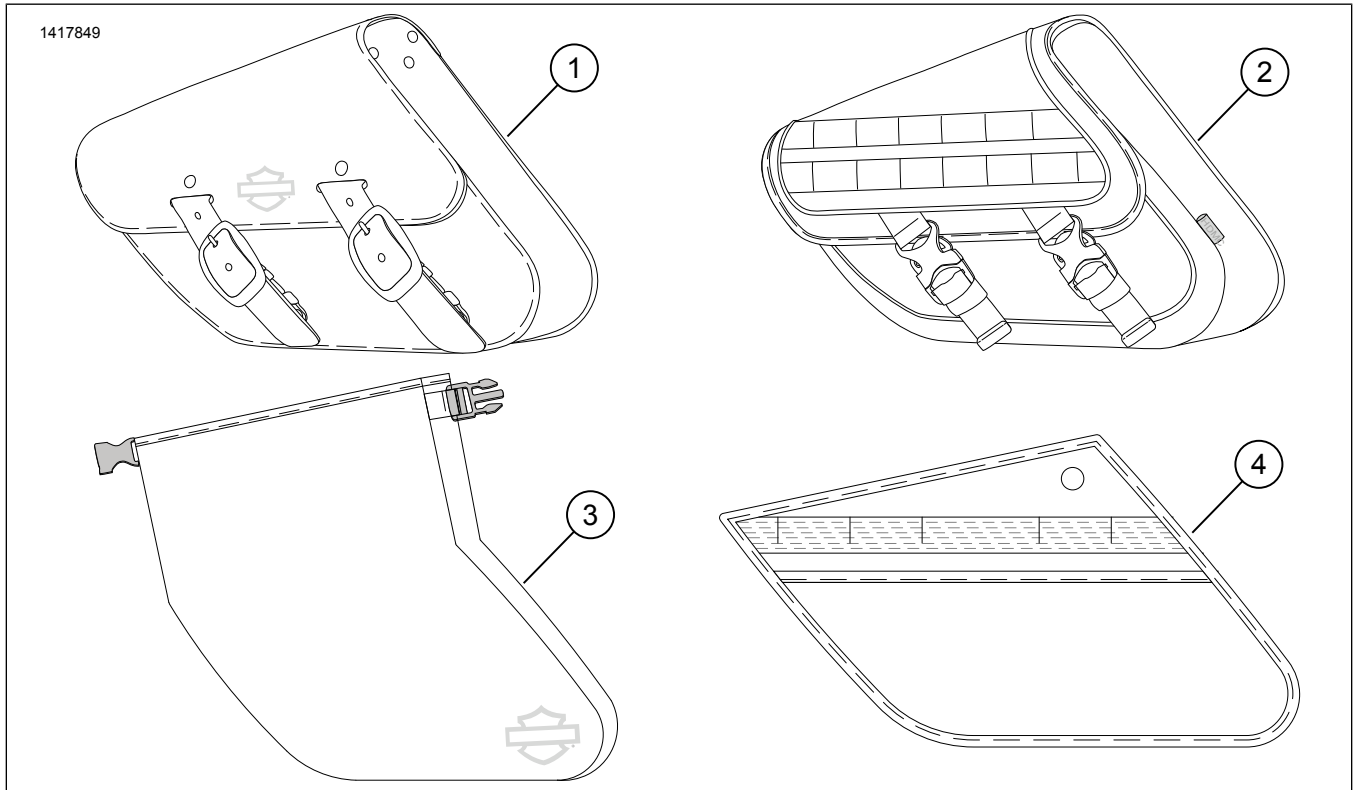


Figure 1. Kit Contents: Aggressive Edge Footpegs - Rider

Table 2. Kit Contents: Rider Footpegs Kit

Verify that all contents are present in the kit before installing or removing items from vehicle.					
<input checked="" type="checkbox"/>	Item	Qty	Description	Part No.	Notes
<input type="checkbox"/>	1	1	Saddlebag, classic	Not sold separately	
<input type="checkbox"/>	2	1	Saddlebag, modern	Not sold separately	
<input type="checkbox"/>	3	1	Dry bag	90202705	
<input type="checkbox"/>	4	1	Organizer	90202704	

# GENERAL

## Models

For model fitment information, see the Parts and Accessories (P&A) Retail Catalog or the Parts and Accessories section of [www.harley-davidson.com](http://www.harley-davidson.com).

Verify that the most current version of the instruction sheet is used. It is available at: [h-d.com/isheets](http://h-d.com/isheets)

Contact Harley-Davidson Customer Support Center at 1-800-258-2464 (U.S. only) or 1-414-343-4056.

## Installation Requirements

### ⚠ WARNING

Rider and passenger safety depend upon the correct installation of this kit. Use the appropriate service manual procedures. If the procedure is not within your capabilities or you do not have the correct tools, have a Harley-Davidson dealer perform the installation. Improper installation of this kit could result in death or serious injury. (00333b)

These items are available at your local Harley-Davidson dealership.

- **Nightster (RH975):** Separate purchase of Saddlebag Mounting Bracket Kit (Part No. 90202532) is required for this installation.

- **Sportster S (RH1250S):** Separate purchase of Saddlebag Mounting Bracket Kit (Part No. 90202533) is required for this installation.

## Maintenance

### ⚠ WARNING

**Do not exceed swingarm bag weight capacity. Too much weight in swingarm bag can cause loss of control, which could result in death or serious injury. (00618c)**

Use the Leather Care from the kit regularly to preserve the appearance and extend the life of the swingarm bag. Additional leather care products are available from a Harley-Davidson dealer or see customer care card that came with the product.

## INSTALL

1. See Figure 2. Align mounting bracket to holes (1 or 2) of saddlebag.
  - a. **Nightster (RH975):** Hole 1.
  - b. **Sportster S (RH1250S):** Hole 2.
2. Install saddlebag to swingarm mounting bracket.
  - a. See mounting bracket instructions for screw installation and torque procedure.

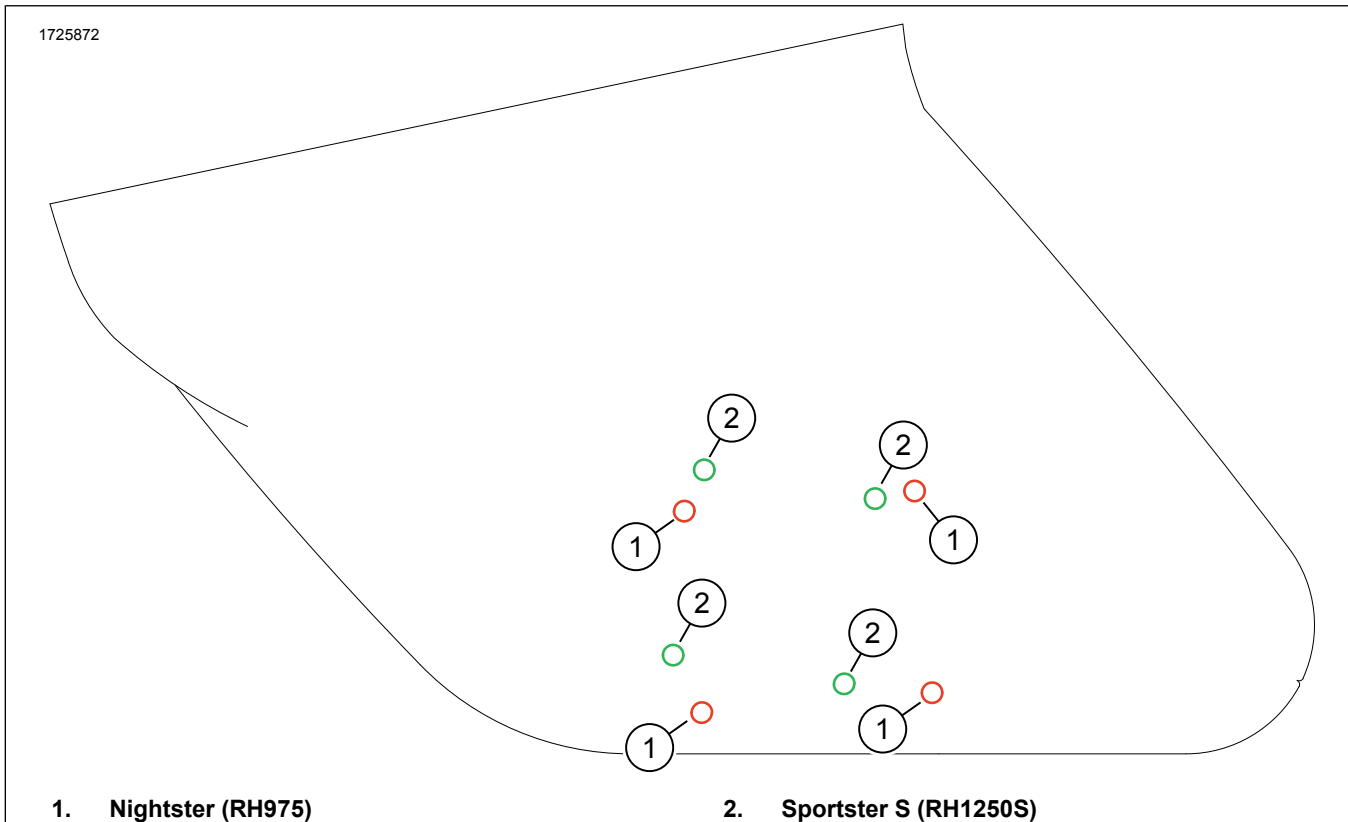


Figure 2. Mounting Bracket Hole Locations (Looking Inside)