



# INSTRUCTIONS

J06348

2023-01-09



## LARGE BRAKE PEDAL KIT

### GENERAL INFORMATION

Table 1. General Information

Kits	Suggested Tools	Skill Level <sup>(1)</sup>
50600179, 50600185, 50600186, 50600463, 50600464, 50600465, 50600511, 50600512	Safety glasses, Torque wrench	
<i>(1) Tightening to torque value or other moderate tools and techniques required</i>		

### KIT CONTENTS

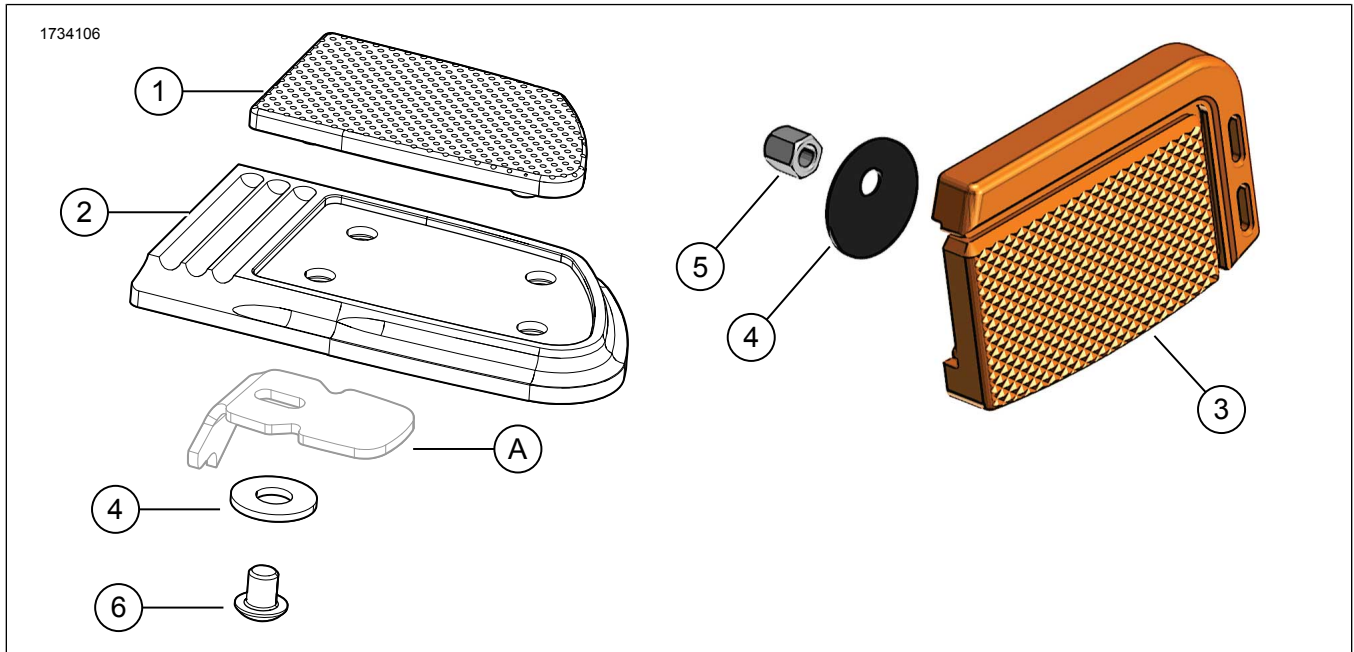


Figure 1. Kit Contents: Large Brake Pedal Kit

**Table 2. Kit Contents: Large Brake Pedal Kit**

<input checked="" type="checkbox"/>	Item	Qty	Description	Part No.	Notes
<input type="checkbox"/>	1	1	Pad, brake pedal	Not sold separately	
<input type="checkbox"/>	2	1	Trim Cover, brake pedal	Not sold separately	
<input type="checkbox"/>	3	1	Brake pedal assembly, Kit	Not sold separately	
<input type="checkbox"/>	4	1	Washer, Kits 50600179, 50600185, 50600186, 50600463, 50600464, 50600465	6333	
<input type="checkbox"/>			Washer, offset, Kits 50600511, 50600512	6421	
<input type="checkbox"/>	5	1	Locknut, acorn, Kits 50600511, 50600512	7549A	
<input type="checkbox"/>	6	1	Screw, Kits 50600179, 50600185, 50600186	4278	
<input type="checkbox"/>			Screw, Kits 50600463, 50600464, 50600465	10201226	
<b>Items mentioned in text, but not included in kit</b>					
<input checked="" type="checkbox"/>	A	1	Original Equipment (OE) Brake pedal		

**NOTE**

Verify that all contents are present in the kit before installing or removing items from vehicle.

**GENERAL**

**Models**

For model fitment information, see the P&A Retail Catalog or the Parts and Accessories section of [www.harley-davidson.com](http://www.harley-davidson.com) (English only).

Verify that the most current version of the instruction sheet is used. It is available at: [www.harley-davidson.com/isheets](http://www.harley-davidson.com/isheets)

Contact Harley-Davidson Customer Support Center at 1-800-258-2464 (U.S. only) or 1-414-343-4056.

**Installation Requirements**

**▲ WARNING**

Rider and passenger safety depend upon the correct installation of this kit. If the procedure is not within your capabilities or you do not have the correct tools, have a Harley-Davidson dealer perform the installation. Improper installation of this kit could result in death or serious injury. (00308b)

**REMOVE**

1. See Figure 1. Remove and discard previously installed brake pedal cover from foot brake lever.

**INSTALL**

1. Align **new** pad assembly over foot brake pedal (A) as shown.
2. Apply threadlocker to screw (6).  
Consumable: LOCTITE 243 MEDIUM STRENGTH THREADLOCKER AND SEALANT (BLUE) (99642-97)

3. Assemble washer (4) and screw (6).
4. Thread screw (6) through hole in brake lever and into back of pad.
5. Tighten screw  
Torque: 13.56 N·m (10.0 ft-lbs)
6. Kits 50600511, 50600512: Install washer (4) onto threaded stud.
7. Install locknut (5) onto threaded stud. Tighten.  
Torque: 13.6 N·m (10 ft-lbs)