



# INSTRUCTIONS

J00315

2023-06-07



## FLHR/FLHP WINDSHIELD KITS

### GENERAL INFORMATION

Table 1. General Information

Kits	Suggested Tools	Skill Level <sup>(1)</sup>
57768-00, 57809-04, 57921-98, 57924-98, 58135-94, 58193-94, 58194-94, 58195-94, 58327-97, 58327-06, 58433-96, 57400005, 57400640, 57400641	Safety Glasses, Torque Wrench	

(1) Tightening to torque value or other moderate tools and techniques required

### KIT CONTENTS

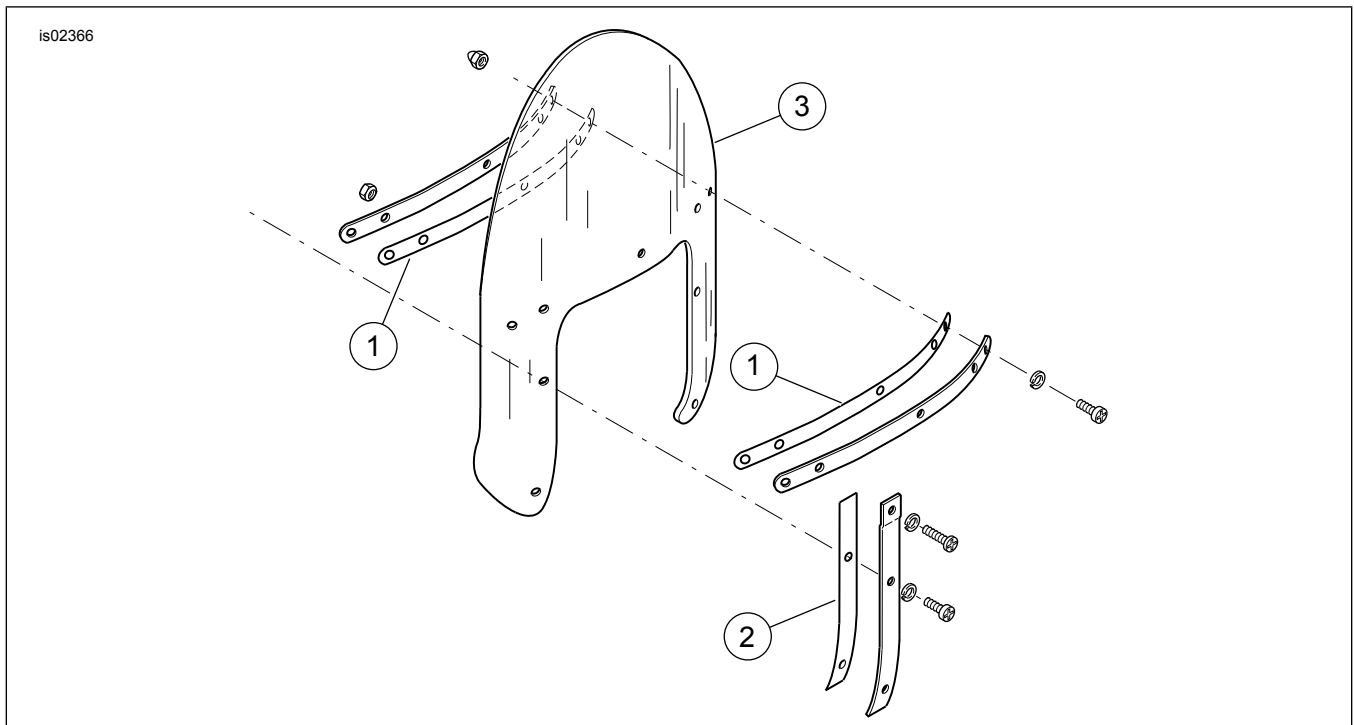


Figure 1. Kit Contents: Windshield Kit

Table 2. Kit Contents: Windshield Kit

<input checked="" type="checkbox"/>	Verify that all contents are present in the kit before installing or removing items from vehicle.				
Item	Qty	Description	Part No.	Notes	
<input type="checkbox"/>	1	2	Tape for horizontal braces	58416-77A	
<input type="checkbox"/>	2	2	Tape for vertical braces	58417-77	
<input type="checkbox"/>	3	1	Windshield	Not sold separately	

### GENERAL

#### NOTE

This instruction sheet **may have a Supplemental Video** to assist installer in clarifying a certain part of the assembly. A linked video would be located at the end of this instruction sheet.

### Models

For model fitment information, see the Parts and Accessories (P&A) Retail Catalog or the Parts and Accessories section of [www.harley-davidson.com](http://www.harley-davidson.com).

Verify that the most current version of the instruction sheet is used. It is available at: h-d.com/isheets

Contact Harley-Davidson Customer Support Center at 1-800-258-2464 (U.S. only) or 1-414-343-4056.

## Installation Requirements

Service Parts apply to all kits. See vehicle's Parts Catalog for braces and hardware part number information.

### ▲ WARNING

Rider and passenger safety depend upon the correct installation of this kit. Use the appropriate service manual procedures. If the procedure is not within your capabilities or you do not have the correct tools, have a Harley-Davidson dealer perform the installation. Improper installation of this kit could result in death or serious injury. (00333b)

### NOTE

This instruction sheet references service manual information. A service manual for the year and model motorcycle is required for this installation and is available from:

- A Harley-Davidson dealer.
- H-D Service Information Portal, a subscription-based access available for most 2001 and newer models. For more information see *Frequently ask questions about subscriptions*.

### NOTICE

Do not use windshield bags with flamed windshields. Damage to graphics will occur. (00393f)

Table 3. Windshield Information

Kits	Contents
57768-00	4 inches shorter than stock (clear)
57809-04	Stock height (clear with flames)
57921-98	(International): 2 inches taller than stock (clear)
58193-94	Stock height (clear)
58327-97	(International): Stock height (clear)
58327-06	(International): 2 inches shorter than stock (clear)
58433-96	2 inches taller than stock (clear)
58135-94	Stock height (smoked)
58194-94	2 inches taller than stock (smoked)
58195-94	4 inches shorter than stock (smoked)
57924-98	(International): 4 inches shorter than stock (smoked)
57400005	(China), 4 inches shorter than stock (clear)
57400640	Stock height (orange tint)
57400641	Stock height (magenta tint)

## REMOVE

1. Remove windshield. See owner's manual.
2. Remove all hardware that secures the mounting brackets and braces to windshield. Save hardware for later use.

### NOTE

Make sure all old tape is completely removed from windshield braces. Leaving tape will cause surface irregularities and mounting brackets will not sit properly on windshield.

3. Remove all old tape from windshield or braces.

## INSTALL

### ▲ WARNING

Improper installation of accessories or loading of cargo can affect motorcycle stability and handling, which could result in death or serious injury. (00455b)

### NOTICE

Do not exceed recommended torque when installing mounting screws. Damage to windshield can result. (00385a)

1. Install **new** tape from kit to areas of the new windshield that had tape on the stock windshield.
2. Loosely install mounting brackets, braces and hardware to windshield. Tighten nuts.  
Torque: 2.6–3 N·m (23–27 in-lbs) *Nut*

## COMPLETE

### ▲ WARNING

Failure to provide adequate clearance between stationary and moving parts can cause loss of control, which could result in death or serious injury. (00378a)

### NOTE

Check mounting hardware periodically. Never ride with loose mounts. A loose mount can cause extra stress on other mounts, as well as the windshield itself and could result in premature failure of components.

1. Install windshield. See owner's manual.
2. Inspect windshield upon completion of installation.
  - a. Be sure windshield mounting does not restrict full left or full right movement of front fork assembly.
  - b. If restriction does occur, adjust windshield as needed until proper clearance is obtained.

## CARE AND CLEANING

### NOTICE

Polycarbonate windshields/wind deflectors require proper attention and care to maintain. Failure to maintain polycarbonate properly can result in damage to the windshield/wind deflector. (00483e)

### NOTICE

Use only Harley-Davidson recommended products on Harley-Davidson windshields. Do not use harsh chemicals or rain sheeting products, which can cause windshield surface damage, such as dulling or hazing. (00231c)

### NOTE

Sunlight reflections off of the inside curvature of a windshield can, at certain times of the day, cause extreme heat build-up on motorcycle instruments. Exercise care in parking. Park facing

*the sun, place an opaque object over the instruments, or adjust the windshield to avoid reflections.*

*Covering windshield with a clean, wet cloth for about 15 minutes before washing will make dried bug removal easier.*

Do not clean polycarbonate in hot sun or high temperature. Powdered, abrasive or alkaline cleanser will damage the windshield. Never scrape windshield with a razor blade or other sharp instruments because permanent damage will result.