



INSTRUCTIONS

94100419

2023-01-30



MIRROR KITS

GENERAL INFORMATION

Table 1. General Information

Kits	Suggested Tools	Skill Level ⁽¹⁾
56000394, 56000406	Safety Glasses, Torque Wrench	
<i>(1) Tightening to torque value or other moderate tools and techniques required</i>		

KIT CONTENTS

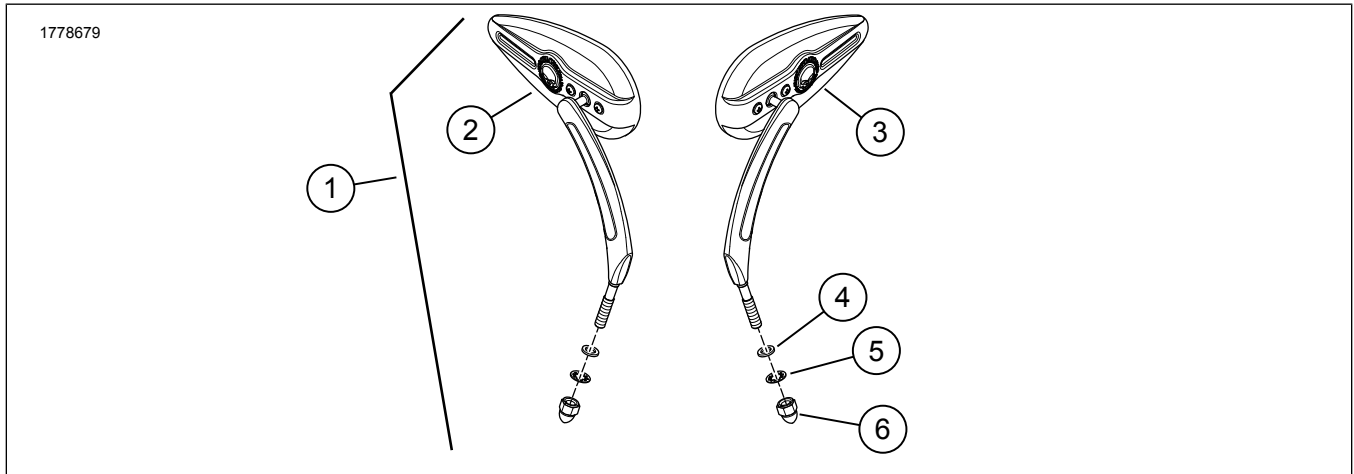


Figure 1. Kit Contents: Mirror Kits

Table 2. Kit Contents: Mirror Kits

Verify that all contents are present in the kit before installing or removing items from vehicle.					
<input checked="" type="checkbox"/>	Item	Qty	Description	Part No.	Notes
<input type="checkbox"/>	1	1	Willie G Skull, chrome	56000394	Includes item 2-6.
<input type="checkbox"/>		1	Willie G Skull, black	56000406	
<input type="checkbox"/>	2	1	Mirror, right, chrome	56000395	
<input type="checkbox"/>		1	Mirror, right, black	56000402	
<input type="checkbox"/>	3	1	Mirror, left, chrome	56000396	
<input type="checkbox"/>		1	Mirror, left, black	56000404	
<input type="checkbox"/>	4	1	Flat washer, chrome	6771A	
<input type="checkbox"/>		1	Flat washer, black	12404	
<input type="checkbox"/>	5	1	Lock washer, chrome	7127	
<input type="checkbox"/>		1	Lock washer, black	7155	
<input type="checkbox"/>	6	1	Acorn nut, chrome	10400083	
<input type="checkbox"/>		1	Acorn nut, black	10400082	

GENERAL

Models

Verify that the most current version of the instruction sheet is used. It is available at: h-d.com/isheets

Contact Harley-Davidson Customer Support Center at 1-800-258-2464 (U.S. only) or 1-414-343-4056.

ALL MODELS (EXCEPT XG AND REV MAX MODELS)

1. Remove and discard existing mirror, washer and acorn nut.
2. See Figure 2. Install flat washer (2) on mirror stud.

3. **Vehicles with turn signals mounted to underside of hand lever housings (except 2004 and later XL models):** Secure mirror using lockwasher (3) and acorn nut (4).
4. **Vehicles with turn signals mounted away from hand lever housings:**
 - a. Install mirror stud to hand lever housing.
 - b. Secure mirror with flat washer (2), lockwasher (3) and acorn nut (4).
5. Adjust mirrors for proper field of vision and tighten. Torque: 13.5–18.9 N·m (10–14 ft-lbs)
 - a. Check adjustment and reposition if necessary.
 - b. Verify handlebar lock-to-lock tank clearance.

2. Install mirror.
 - a. Install mirror mount (4). Tighten. Torque: 11.7–14.3 N·m (104–127 in-lbs)
 - b. Install tube nut (3) to mirror stem (2).
 - c. Install mirror and tube nut to mirror mount.
 - d. Adjust mirror (1). Tighten tube nut. Torque: 11.7–14.3 N·m (104–127 in-lbs)

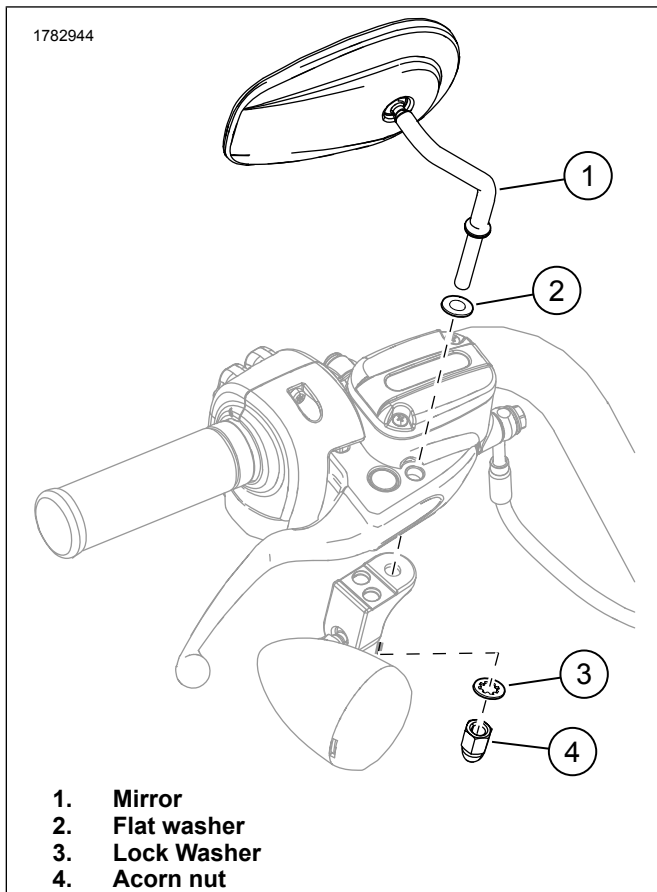


Figure 2. Mirror Assembly

XG MODELS

1. See Figure 3. Remove mirror.
 - a. Remove tube nut (3).
 - b. Remove mirror (1).
 - c. Remove mirror mount (4).

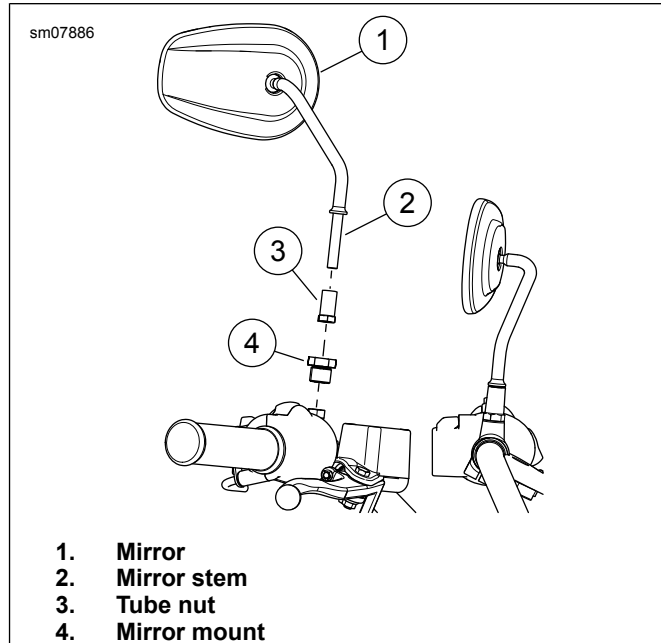


Figure 3. Mirror

MIRROR PIVOT ADJUSTMENT

1. See Figure 4. Adjust pivot tension.
 - a. Incrementally secure adjustment screws (1). Tighten. Torque: 1.1–4 N·m (10–35 in-lbs)
 - b. Check mirror pivot resistance and continue to tighten as needed. **Do not exceed 35 in-lbs.**

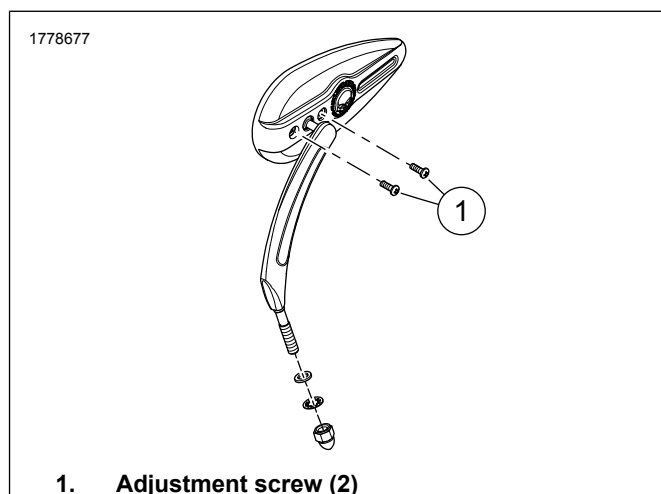


Figure 4. Adjustment Screws