



# INSTRUCTIONS

J06528

2024-01-24



## PASSENGER FOOT PEG KIT

### GENERAL INFORMATION

Table 1. General Information

| Kits   | Suggested Tools               | Skill Level <sup>(1)</sup> |
|--|-------------------------------|----------------------------|
| 50500831, 50500832, 50500833, 50501830, 50501831, 50501832, 50502247, 50502248, 50502469, 50502470 | Safety Glasses, Torque Wrench |                            |
| <i>(1) Tightening to torque value or other moderate tools and techniques required</i>              |                               |                            |

### KIT CONTENTS

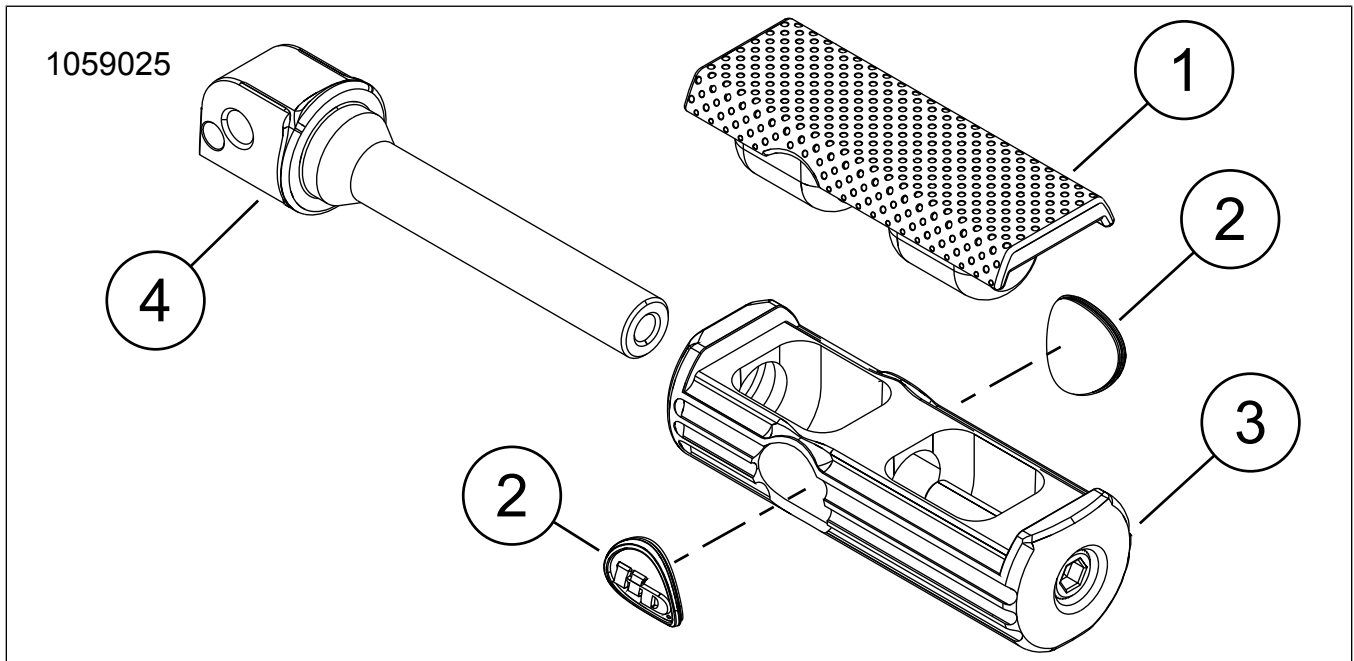


Figure 1. Kit Contents: Passenger Footpeg

Table 2. Kit Contents: Passenger Footpeg Kit

| <input checked="" type="checkbox"/> | Verify that all contents are present in the kit before installing or removing items from vehicle. |                        |                     |       |  |
|-------------------------------------|---|------------------------|---------------------|-------|--|
| Item                                | Qty   | Description            | Part No.            | Notes |  |
| <input type="checkbox"/>            | 1   | Footpeg insert (black) | Not sold separately |       |  |
| <input type="checkbox"/>            | 2   | Medallion (2)          | 14100879            |       |  |
| <input type="checkbox"/>            | 3   | Foot peg base (chrome) | Not sold separately |       |  |
| <input type="checkbox"/>            | 4   | Footpeg mount (chrome) | Not sold separately |       |  |

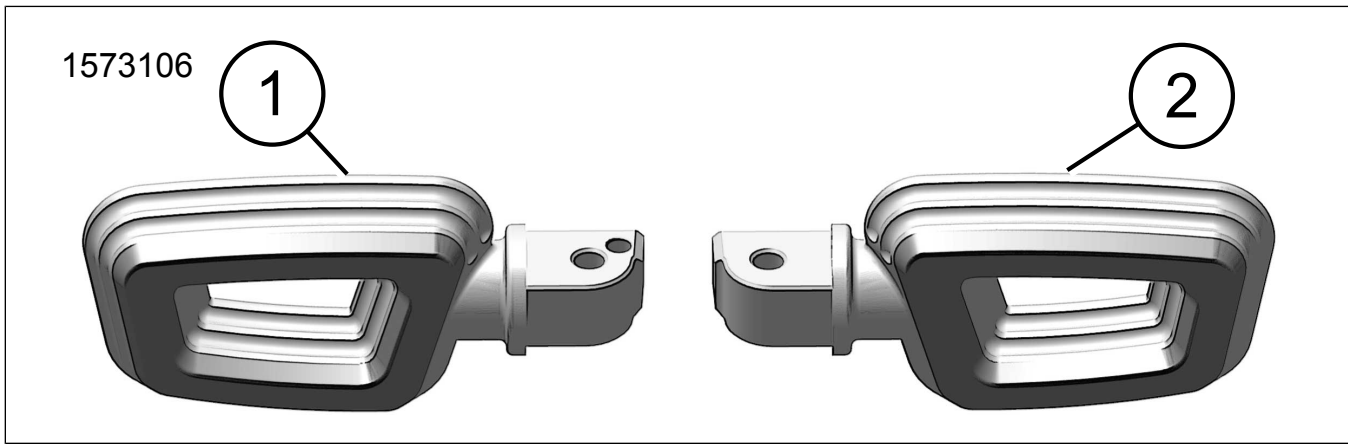


Figure 2. Kit Contents: Passenger Footpeg

Table 3. Kit Contents: Passenger Footpeg Kit

| Verify that all contents are present in the kit before installing or removing items from vehicle. |   |          |  |          |                                    |
|---|---|----------|--|----------|------------------------------------|
| <input checked="" type="checkbox"/>   | Item  | Qty      | Description                                | Part No. | Notes                              |
| <input type="checkbox"/>  | 1   | 1        | Footpeg, passenger, left (chrome)          | 50501822 |                                    |
| <input type="checkbox"/>  |   |          | Footpeg, passenger, left (black)           | 50501823 |                                    |
| <input type="checkbox"/>  |   |          |  | 50502508 |                                    |
| <input type="checkbox"/>  |   |          | Footpeg, passenger, left (black edge cut)  | 50501824 |                                    |
| <input type="checkbox"/>  |   |          | Footpeg, passenger, left (black adversary) | 50502395 |                                    |
| <input type="checkbox"/>  |   |          | Footpeg, passenger, left (grey adversary)  | 50502397 |                                    |
| <input type="checkbox"/>  |   |          | Footpeg, passenger, left (silver)          | 50502509 |                                    |
| <input type="checkbox"/>  |   |          | 2  | 1        | Footpeg, passenger, right (chrome) |
| <input type="checkbox"/>  | Footpeg, passenger, right (black)           | 50501826 |  |          |                                    |
| <input type="checkbox"/>  |   | 50502508 |  |          |                                    |
| <input type="checkbox"/>  | Footpeg, passenger, right (black edge cut)  | 50501827 |  |          |                                    |
| <input type="checkbox"/>  | Footpeg, passenger, right (black adversary) | 50502394 |  |          |                                    |
| <input type="checkbox"/>  | Footpeg, passenger, right (grey adversary)  | 50502396 |  |          |                                    |
| <input type="checkbox"/>  | Footpeg, passenger, right (silver)          | 50502509 |  |          |                                    |

## GENERAL

### Models

For model fitment information, see the Parts and Accessories (P&A) Retail Catalog or the Parts and Accessories section of [www.harley-davidson.com](http://www.harley-davidson.com).

Verify that the most current version of the instruction sheet is used. It is available at: [h-d.com/isheets](http://h-d.com/isheets)

Contact Harley-Davidson Customer Support Center at 1-800-258-2464 (U.S. only) or 1-414-343-4056.

## Installation Requirements

### ▲ WARNING

Rider and passenger safety depend upon the correct installation of this kit. Use the appropriate service manual procedures. If the procedure is not within your capabilities or you do not have the correct tools, have a Harley-Davidson dealer perform the installation. Improper installation of this kit could result in death or serious injury. (00333b)

### NOTE

This instruction sheet references service manual information. A service manual for the year and model motorcycle is required for this installation and is available from:

- A Harley-Davidson dealer.
- H-D Service Information Portal, a subscription-based access available for most 2001 and newer models. For more information see *Frequently ask questions about subscriptions*.

## INSTALL

### NOTE

See Figure 3. When performing the next step, verify that spring (7) is positioned inside of footpeg (3).

1. See Figure 3. Vehicle has a pin (2) and E-clip (1). Remove them and retain for future use. Save all hardware, including detent spring (7), detent ball (6) and detent plate (5) for installation of the new footpegs (3).
2. Insert detent spring (7) into **new** footpeg (3), followed by detent ball (6).
3. Position detent plate (5) on footpeg clevis edge while capturing detent ball (6) and detent spring (7) inside detent plate (5) while sliding detent plate (5) onto footpeg clevis.
4. Align detent plate (5) and footpeg (3) with footpeg mount on vehicle.
5. Install pin (2) and E-clip (1).

### ⚠ WARNING

**Footrests must fold up and toward rear of motorcycle if struck. Failure to set footrests to fold up and back could result in death or serious injury. (00366a)**

6. Defiance and Performance Passenger Pegs (only) - adjust orientation as follows:
  - a. Rotate to desired orientation.
  - b. Fold peg up to stowed position and confirm clearance to other components. Adjust as necessary.
  - c. Tighten adjustment screw.  
Torque: 28.5 N·m (21 ft-lbs)

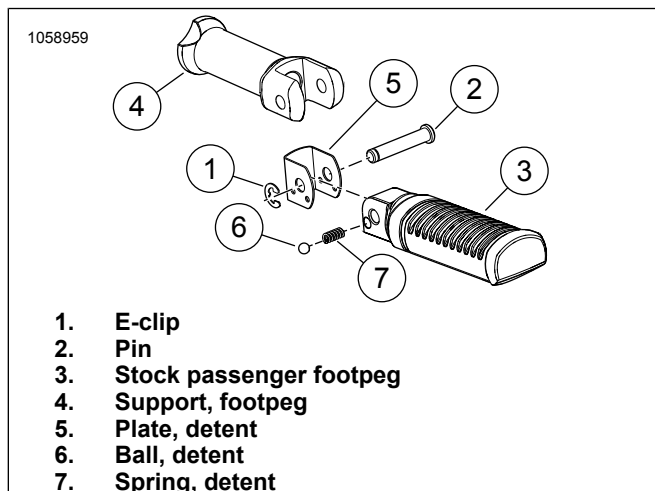


Figure 3. Footpeg Assembly