



INSTRUCTIONS

J06527

2024-01-23



FOOT PEG KIT

GENERAL INFORMATION

Table 1. General Information

Kits	Suggested Tools	Skill Level ⁽¹⁾
50500803, 50500804, 50500805, 50500806, 50500807, 50500808, 50501008, 50501009, 50501010, 50501855, 50501856, 50501857, 50501898, 50501899, 50501900, 50502504, 50502505, 50502576, 50502577	Safety Glasses, Torque Wrench, Loctite 243 medium (blue), E-clip Tool	
<i>(1) Tightening to torque value or other moderate tools and techniques required</i>		

KIT CONTENTS

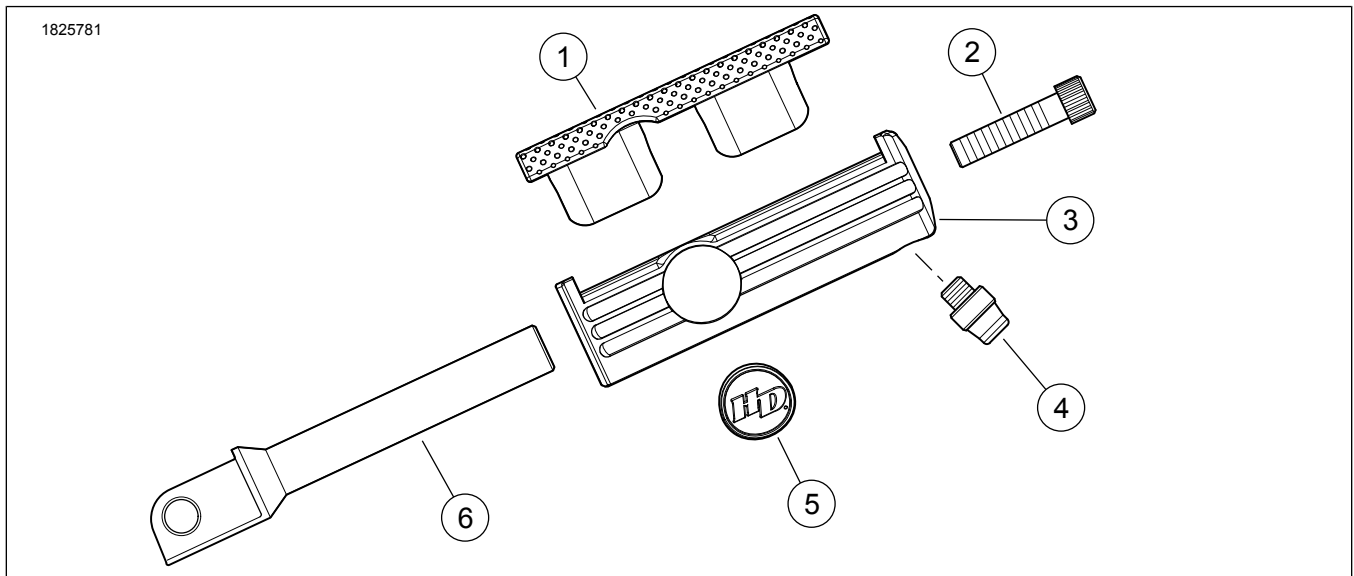


Figure 1. Kit Contents: Foot Peg Kit

Table 2. Kit Contents: Foot Peg Kit

<input checked="" type="checkbox"/>	Verify that all contents are present in the kit before installing or removing items from vehicle.				
Item	Qty	Description	Part No.	Notes	
<input type="checkbox"/>	1	Rubber foot peg	Not sold separately		
<input type="checkbox"/>	2	Socket head cap screw	Not sold separately		
<input type="checkbox"/>	3	Foot peg base	Not sold separately		
<input type="checkbox"/>	4	Foot peg wear peg	50500901		
<input type="checkbox"/>	5	Chrome medallion grip	14100879		
<input type="checkbox"/>	6	Foot peg mount	Not sold separately		



1825108

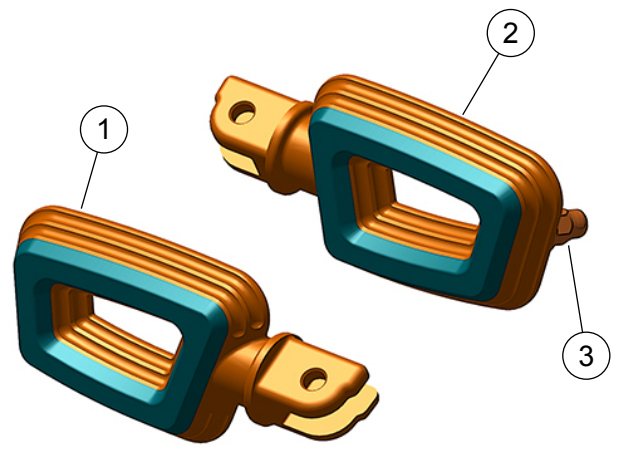
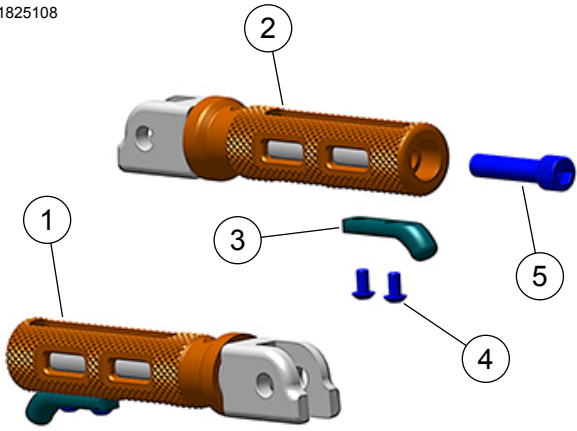


Figure 2. Kit Contents: Foot Peg Kits - Switchback / Empire Collections

Table 3. Kit Contents: Footpeg Kits - Switchback / Empire Collections

Verify that all contents are present in the kit before installing or removing items from vehicle.					
<input checked="" type="checkbox"/>	Item	Qty	Description	Part No.	Notes
<input type="checkbox"/>	1	1	Footpeg, rider, left, chrome	50501849	Kits 50501855, 50501856, 50501857 (Empire)
<input type="checkbox"/>				50501837	Kits 50501898, 50501899, 50501900 (Empire)
<input type="checkbox"/>			Footpeg, rider, left, black	50501850	Kits 50501855, 50501856, 50501857 (Empire)
<input type="checkbox"/>				50501838	Kits 50501898, 50501899, 50501900 (Empire)
<input type="checkbox"/>				50502514	Kit 50502504 (Switchback)
<input type="checkbox"/>			Footpeg, rider, left, black edge cut	50502578	Kit 50502576 (Switchback)
<input type="checkbox"/>				50501849	Kits 50501855, 50501856, 50501857 (Empire)
<input type="checkbox"/>			Footpeg, rider, left, silver	50501849	Kits 50501898, 50501899, 50501900 (Empire)
<input type="checkbox"/>				50502515	Kit 50502505 (Switchback)
<input type="checkbox"/>				50502579	Kit 50502577 (Switchback)
<input type="checkbox"/>	2	1	Footpeg, rider, right, chrome	Not sold separately	Kits 50501898, 50501899, 50501900 (Empire)
<input type="checkbox"/>			Footpeg, rider, right, black	Not sold separately	Kits 50501855, 50501856, 50501857 (Empire)
<input type="checkbox"/>				Not sold separately	Kits 50501898, 50501899, 50501900 (Empire)
<input type="checkbox"/>				50502514	Kit 50502504 (Switchback)
<input type="checkbox"/>			50502578	Kit 50502576 (Switchback)	
<input type="checkbox"/>			Footpeg, rider, right, black edge cut	Not sold separately	Kits 50501855, 50501856, 50501857 (Empire)
<input type="checkbox"/>			Footpeg, rider, right, silver	50502515	Kit 50502505 (Switchback)
<input type="checkbox"/>	50502579	Kit 50502577 (Switchback)			
<input type="checkbox"/>	3	1	Wear peg	50500628	Kits 50501855, 50501856, 50501857, 50501898, 50501899, 50501900 (Empire)
<input type="checkbox"/>		2	Wear peg	50502528	Kits 50502504, 50502505 (Switchback)
<input type="checkbox"/>	4	4	Screw, wear peg	10201358	Kits 50502504, 50502505 (Switchback)
<input type="checkbox"/>	5	2	Screw, adjustment, 5/16-18 SHCS, black	10500109	

GENERAL

Models

For model fitment information, see the Parts and Accessories (P&A) Retail Catalog or the Parts and Accessories section of www.harley-davidson.com.

Verify that the most current version of the instruction sheet is used. It is available at: h-d.com/isheets

Contact Harley-Davidson Customer Support Center at 1-800-258-2464 (U.S. only) or 1-414-343-4056.

Installation Requirements

▲ WARNING

Rider and passenger safety depend upon the correct installation of this kit. Use the appropriate service manual procedures. If the procedure is not within your capabilities or you do not have the correct tools, have a Harley-Davidson dealer perform the installation. Improper installation of this kit could result in death or serious injury. (00333b)

NOTE

This instruction sheet references service manual information. A service manual for the year and model motorcycle is required for this installation and is available from:

- A Harley-Davidson dealer.
- *H-D Service Information Portal*, a subscription-based access available for most 2001 and newer models. For more information see *Frequently ask questions about subscriptions*.

REMOVE

1. See Figure 3. Remove pin (4) and retaining clip (2). Retain.
2. Save all hardware, including torsion spring (1), for installation of **new** footpegs (3).

INSTALL

1. See Figure 3. Insert short leg of torsion spring (1) into hole in **new** footpeg (3).
2. Align long leg of torsion spring (1) to hole in foot peg mount and insert.
3. Rotate footpeg (3) into position in clevis and insert pin (4) through clevis, footpeg (3) and spring (1).

NOTE

See Figure 3. When performing the next step, verify that the spring is positioned inside of the footpeg.

4. Rotate footpeg (3) into position in clevis and insert pin (4) through clevis, footpeg (3) and spring (1).
5. Install retaining clip (2).
6. Repeat steps 2, 3, 4 and 5 on other side.
7. See Figure 5. For adjustable footpegs:
 - a. Forward controls, foot surface to be parallel to mounting pin.
 - b. Mid controls, foot surface to be parallel to ground.
 - c. Tighten adjustment screw.
Torque: 29 N·m (21 ft-lbs)

Wear Peg Replacement

1. See Figure 1. Remove existing wear peg from foot peg.
2. Apply a few drops of threadlocker to threads of **new** wear peg and install to footpeg.
Consumable: LOCTITE 243 MEDIUM STRENGTH THREADLOCKER AND SEALANT (BLUE) (99642-97)
3. Tighten wear peg.
Torque: 3.4–4.8 N·m (30–42 in-lbs)

Wear Peg Replacement - Switchback Pegs

1. See Figure 2. When servicing wear peg, remove existing wear peg screws from foot peg.
2. Apply a few drops of threadlocker to threads of existing screws.

Consumable: LOCTITE 243 MEDIUM STRENGTH THREADLOCKER AND SEALANT (BLUE) (99642-97)

3. Install **new** wear peg with existing screws. Tighten
Torque: 1.7–2.25 N·m (15–20 in-lbs)

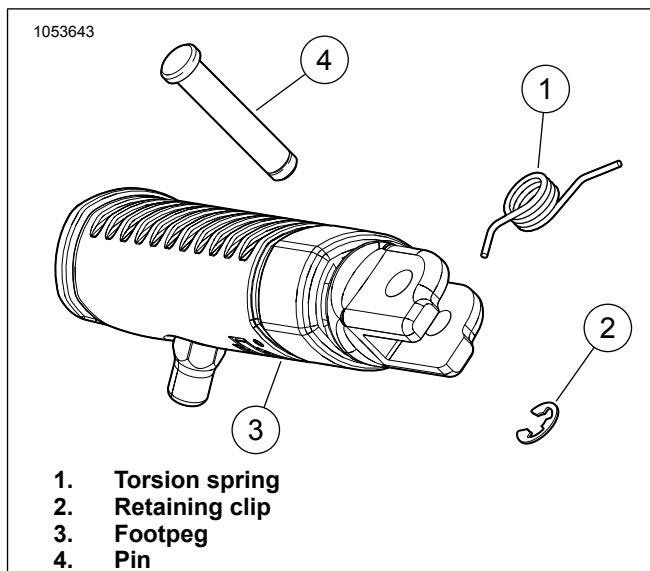


Figure 3. Rider Footpeg Torsion Spring Installation

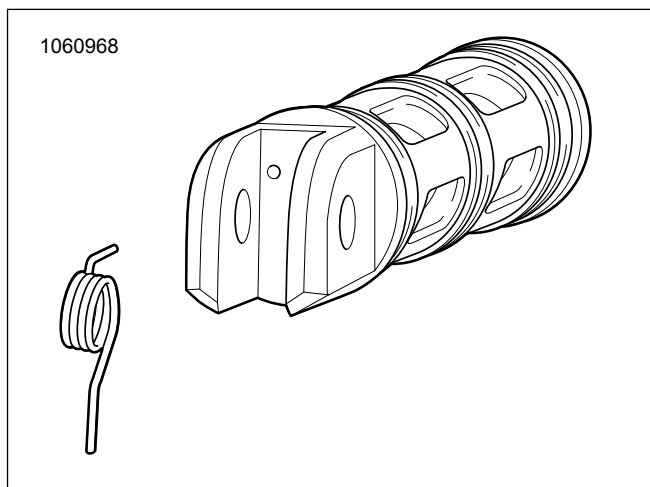


Figure 4. Torsion Spring

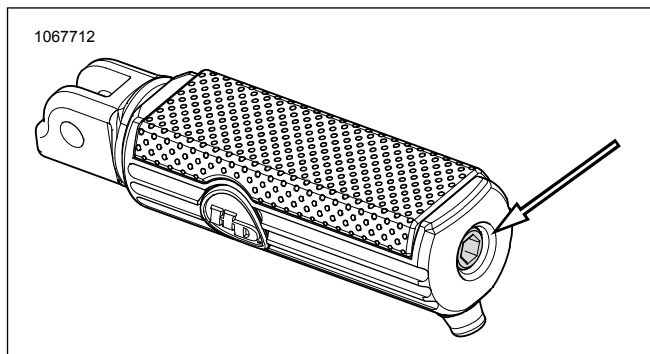


Figure 5. Footpeg Adjusting Screw