



INSTRUCTIONS


J06020

2024-01-24



DERBY COVER KIT

Table 1. General Information

Kits	Suggested Tools	Skill Level ⁽¹⁾
25338-99B, 25562-09, 25700434, 25700435, 25700436, 25700437, 25700446, 25700469, 25700471, 25700472, 25700473, 25700474, 25700476, 25700477, 25700505, 25700515, 25700571, 25700572, 25700573, 25700703, 25700704, 25700705, 25700740, 25700768, 25700822, 25700825, 25700826, 25700843, 25700844, 25700887, 25700888, 25700987, 25700988, 25701020, 25701022, 25701057, 25701059, 25701086, 25701169, 25701171, 25701173, 25701403, 25701404, 25701454, 25701480, 25701517, 25701518, 25701519, 25701520, 25701536, 25701537, 25701551, 25701573, 25701574	Safety Glasses, Torque Wrench	

(1) Tightening to torque value or other moderate tools and techniques required

KIT CONTENTS

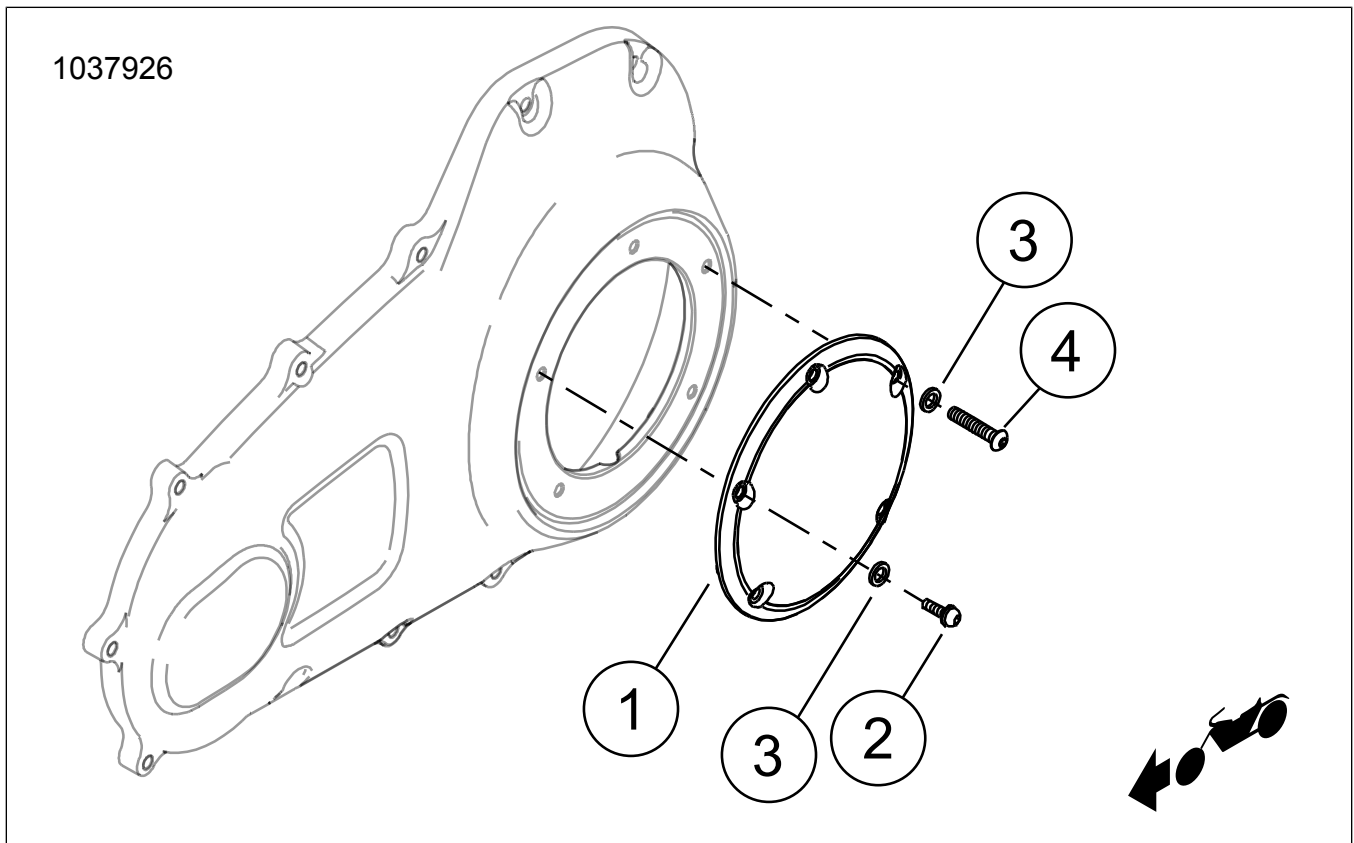


Figure 1. Kit Contents: Derby Cover Components

Table 2. Kit Contents: Derby Cover Components

<input checked="" type="checkbox"/>	Kit	Item	Qty	Description	Part No.	Notes
<input type="checkbox"/>	25338-99B, 25700435, 25700436, 25700843, 25700844, 25701169	1	1	Derby cover	Not sold separately	
<input type="checkbox"/>		2	5	Screw, chrome	9461	
<input type="checkbox"/>		3	5	Washer, chrome	9600	
<input type="checkbox"/>	25700446, 25700469, 25700471, 25700472, 25700473, 25700474, 25700476, 25700505, 25700888, 25700987, 25701057, 25701059, 25701404	1	1	Derby cover	Not sold separately	
<input type="checkbox"/>		2	5	Screw, chrome	10200409	
<input type="checkbox"/>		3	5	Washer, chrome	9600	
<input type="checkbox"/>	25562-09, 25700434, 25700437, 25700477, 25701173, 25701454, 25701480, 25701517, 25701518, 25701520, 25701537, 25701551, 25701573, 25701574	1	1	Derby cover	No service parts	
<input type="checkbox"/>	25700571, 25700572, 25700573, 25700703, 25700704, 25700705	1	1	Derby cover	Not sold separately	
<input type="checkbox"/>		2	4	Screw, chrome	9461	
<input type="checkbox"/>		3	5	Washer, chrome	9600	
<input type="checkbox"/>		4	1	Screw, long, chrome	10200587	
<input type="checkbox"/>	25700515	1	1	Derby cover	Not sold separately	
<input type="checkbox"/>		2	5	Screw, black	10200436	
<input type="checkbox"/>			1	Medallion, bar & shield (not shown)	14101000	
<input type="checkbox"/>	25700822	1	1	Derby cover	Not sold separately	
<input type="checkbox"/>		2	5	Screw (Kit 25700740)	10200550	
<input type="checkbox"/>			5	Screw (Kit 25701020)	10200815	
<input type="checkbox"/>			5	Screw (Kit 25701022)	10200816	
<input type="checkbox"/>		3	5	Washer	10300103	
<input type="checkbox"/>	25700768, 25700822, 25700825, 25700826	1	1	Derby cover	Not sold separately	
<input type="checkbox"/>		2	5	Screw, hex head socket, SEMS	3061	
<input type="checkbox"/>			6	Screw, stainless steel (not shown)	10200659	
<input type="checkbox"/>	25700887, 25700988, 25701086, 25701403, 25701171, 25701519, 25701536	1	1	Derby cover	Not sold separately	
<input type="checkbox"/>		2	5	Screw, black	10200655	
<input type="checkbox"/>		3	5	Washer, black	10300152	

NOTE

Verify all contents are present in the kit before installing or removing items from vehicle.

GENERAL

Models

For model fitment information, see the P&A Retail Catalog or the Parts and Accessories section of www.harley-davidson.com (English only).

Verify that the most current version of the instruction sheet is used. It is available at: www.harley-davidson.com/isheets

Contact Harley-Davidson Customer Support Center at 1-800-258-2464 (U.S. only) or 1-414-343-4056.

Installation Requirements

⚠ WARNING

Rider and passenger safety depend upon the correct installation of this kit. Use the appropriate service manual procedures. If the procedure is not within your capabilities or you do not have the correct tools, have a Harley-Davidson dealer perform the installation. Improper installation of this kit could result in death or serious injury. (00333b)

PREPARE

1. Remove main fuse. See owner's manual.

REMOVE

1. Remove Original Equipment (OE) derby cover and retain mounting screws with captive washers.
2. Inspect O-ring for damage. Replace if necessary.

INSTALL

1. **Kits: 25338-99B, 25700435, 25700436, 25700446, 25700469, 25700471, 25700472, 25700473, 25700474, 25700476, 25700505, 25700740, 25700843, 25700844, 25700887, 25700888, 25700987, 25700988, 25701020, 25701022, 25701057, 25701059, 25701086, 25701169, 25701171, 25701403, 25701404, 25701519, 25701536:** Install **new** derby cover (1), O-ring and **new** screws (2) and washers (3).
2. **Kits: 25700434, 25700437, 25700477, 25562-09, 25701173, 25701454, 25701480, 25701517, 25701518, 25701520, 25701537, 25701551, 25701573, 25701574:** Install **new** derby cover (1), O-ring and OE screws (2) with captive washers.
3. **Kits: 25700571, 25700572, 25700573, 25700703, 25700704, 25700705:** Install **new** derby cover (1), O-ring and **new** screws (2) and washers (3). Note that one screw (4) is longer and must be located in the 2 o'clock position on the derby cover as shown in Figure 1.
4. **Kits: 25700515, 25700768, 25700822, 25700825, 25700826:** Install **new** derby cover (1) and **new** screws (2) as shown in Figure 1. No washers are used with this kit.

5. See Figure 2. Tighten derby cover screws in sequence shown.

Torque: 9.5–12.2 N·m (84–108 in-lbs)

6. **Kits: 25700768, 25700822, 25700825, 25700826 only:** See Figure 3. Install decorative screws in cover.

- a. Tighten screws.

Torque: 1.69–2.25 N·m (15–20 in-lbs)

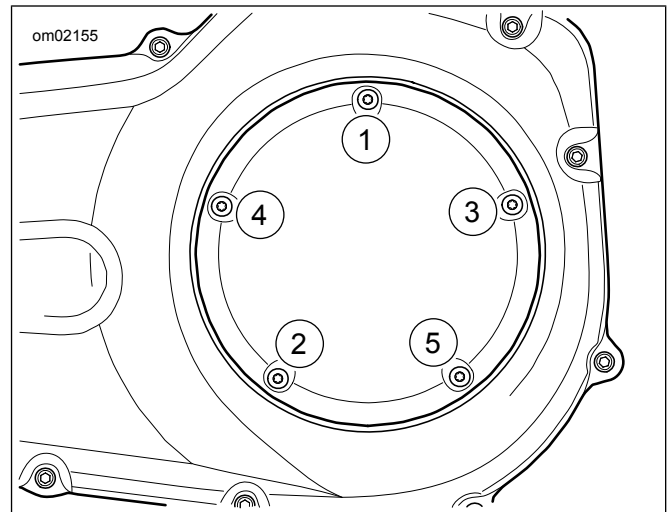


Figure 2. Torque sequence

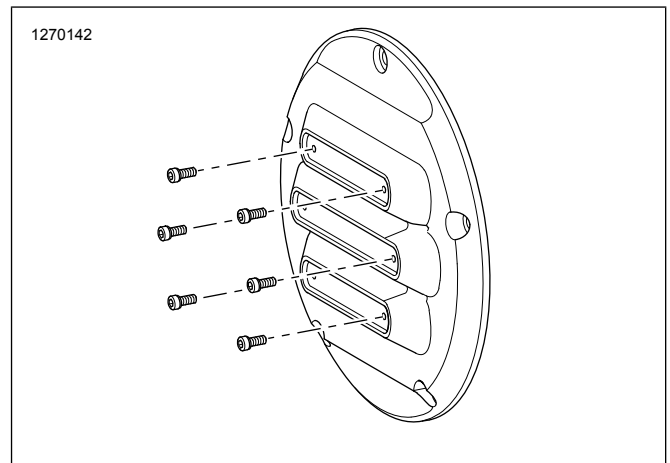


Figure 3. Decorative screws

COMPLETE

1. Install main fuse. See owner's manual.

SPECIAL CARE INSTRUCTIONS

Kits 25701057, 25701059, 25701537: Bare Aluminum Wheel Protectant Wipes (Part No. 93600063) can be applied to "RideFree" text for added corrosion protection.

NOTE

To prevent damage to the cover surface, do not use any detergents, chemical solvents, polishes or abrasive cleaning agents.

To keep this surface in best condition, lightly wipe with a MICROFIBER DETAILING CLOTH (94663-02) using clear water or a mild Harley-Davidson cleaner such as:

- SUNWASH® BIKE SOAP (93600023)
- HARLEY BUG REMOVER (93600122)
- GLOSS DETAILER (93600123)

NOTE

These cleaners are available from a Harley-Davidson dealer.

CARE AND CLEANING GUIDELINES FOR BRASS PARTS

Cleaning Instructions

1. Verify part is dry and free of dirt or debris.
2. Place a small amount of Harley-Davidson® Chrome Clean & Shine on a microfiber cloth or detailing swab.
3. Using light pressure, rub the brass parts with the microfiber cloth. For hard to reach places or grooves, use the detailing swab.

Obtaining a Bright Finish

Brass parts will naturally age and darken with time. If a bright brass finish is preferred, place some Harley-Davidson Bare Metal Polish on a microfiber cloth and lightly rub on the brass parts until they reach the desired brightness.

Slowing the Natural Aging Process

To slow the aging process of the brass parts, place a small amount of Harley-Davidson Glaze Poly Sealant on a microfiber cloth or detailing swab, and lightly rub on the parts until the sealant has soaked in.

Precautions

- Use of non-recommended cleaning, polishing and protective products will result in the removal of the aged finish from the brass parts.
- Prolonged contact with certain items (hands, gloves, boots, dust, etc.) and exposure to the elements will also alter all surface finishes and is NOT considered a defect.
- Avoid cleaning parts with abrasive and aggressive chemicals and abrasive cleaning pads.
- Avoid ammoniated products and bleach.
- Prolonged exposure to water will alter the brass finish. Wipe down parts after contact with water.
- Excess rubbing may lighten the surface appearance of the part.