



# INSTRUCTIONS

J05693

2024-01-23



## PASSENGER BACKREST FOR TOUR-PAK

### GENERAL INFORMATION

Table 1. General Information

Kits	Suggested Tools	Skill Level <sup>(1)</sup>
52300312, 52300314, 52300316, 52300317, 52300319, 52300334, 52300335, 52300359, 52300360, 52300567, 52300572, 52300574, 52300744	Safety Glasses, Torque Wrench	

(1) Tightening to torque value or other moderate tools and techniques required

### KIT CONTENTS

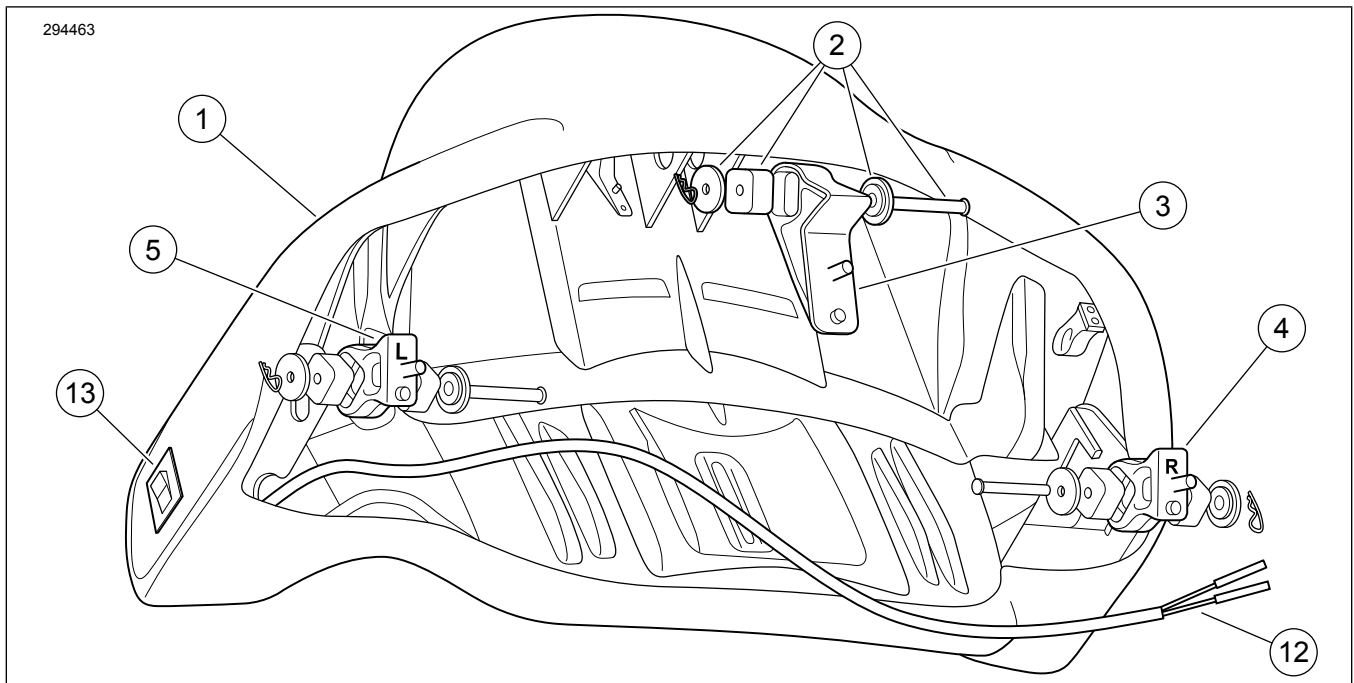


Figure 1. Kit Contents: King Tour-Pak Backrest Kits 52300312, 52300314, 52300316, 52300317, 52300334, 52300574, 52300744

**Table 2. Kit Contents: Backrest Kit**

<input checked="" type="checkbox"/>	<b>Verify that all contents are present in the kit before installing or removing items from vehicle.</b>				
<input type="checkbox"/>	<b>Item</b>	<b>Qty</b>	<b>Description</b>	<b>Part No.</b>	<b>Notes</b>
<input type="checkbox"/>	1	1	Backrest assembly (includes items 2-7)	Not sold separately	ALL kits except 52300317
<input type="checkbox"/>			Backrest assembly (includes items 2-13)	Not sold separately	Kit 52300317
<input type="checkbox"/>	2	3	Isolation kit, backrest	52300127	
<input type="checkbox"/>	3	1	Support bracket, center	52300121	
<input type="checkbox"/>	4	1	Support bracket, right	52300122	
<input type="checkbox"/>	5	1	Support bracket, left	52300123	
<input type="checkbox"/>	6	3	Flange nut, locking, 5/16-18 (not shown)	7531	
<input type="checkbox"/>	7	3	Washer, flat, 5/16 nominal (not shown)	6026	
<input type="checkbox"/>	8	1	Deutsch socket connector housing, four-way	72134-94GY	
<input type="checkbox"/>	9	1	Deutsch secondary lock	72154-94	
<input type="checkbox"/>	10	2	Deutsch socket terminal	72191-94	
<input type="checkbox"/>	11	2	Deutsch seal pin	72195-94	
<input type="checkbox"/>	12	1	Harness, heated backrest	Not sold separately	
<input type="checkbox"/>	13	1	Switch, heated backrest	Not sold separately	

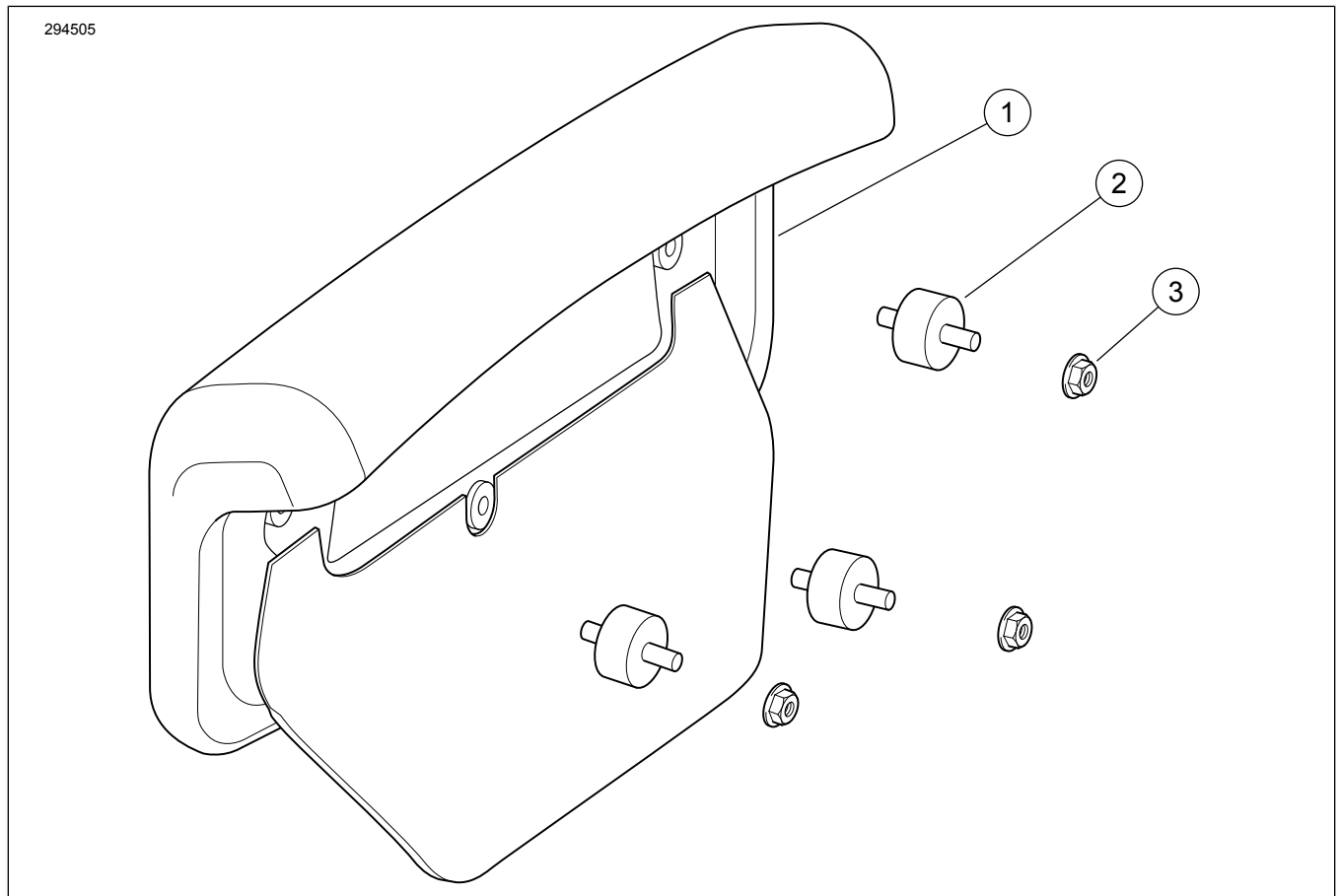


Figure 2. Kit Contents: Chopped Tour-Pak Backrest Kits 52300319, 52300335, 52300567, 52300572

Table 3. Kit Contents: Backrest Kit

Verify that all contents are present in the kit before installing or removing items from vehicle.					
<input checked="" type="checkbox"/>	Item	Qty	Description	Part No.	Notes
<input type="checkbox"/>	1	1	Backrest assembly (includes items 2-3)	Not sold separately	
<input type="checkbox"/>	2	3	Isolation, backrest	52300323	
<input type="checkbox"/>	3	3	Flang nut, locking, ¼-20	7716	

## GENERAL

### Models

For model fitment information, see the Parts and Accessories (P&A) Retail Catalog or the Parts and Accessories section of [www.harley-davidson.com](http://www.harley-davidson.com).

Verify that the most current version of the instruction sheet is used. It is available at: [h-d.com/isheets](http://h-d.com/isheets)

Contact Harley-Davidson Customer Support Center at 1-800-258-2464 (U.S. only) or 1-414-343-4056.

### Installation Requirements

- If the accessory circuit connector is already in use, a Switched Circuit Adapter Harness (Part No. 70264-94A) is also required.

- **2014-2016 Touring Models:** Separate purchase of harness extension (Part No. 69200722) is required to locate the accessory circuit connector for **Heated Tour-Pak® Kit 52300317**.
- **2017 and Later Touring Models:** Separate purchase of harness extension (Part No. 69201599) is required to locate the accessory circuit connector for **Heated Tour-Pak® Kit 52300317**.

### ▲ WARNING

Rider and passenger safety depend upon the correct installation of this kit. Use the appropriate service manual procedures. If the procedure is not within your capabilities or you do not have the correct tools, have a Harley-Davidson dealer perform the installation. Improper installation of this kit could result in death or serious injury. (00333b)

## NOTE

This instruction sheet references service manual information. A service manual for the year and model motorcycle is required for this installation and is available from:

- A Harley-Davidson dealer.
- H-D Service Information Portal, a subscription-based access available for most 2001 and newer models. For more information see *Frequently ask questions about subscriptions*.

## ELECTRICAL OVERLOAD

### NOTICE

It is possible to overload the vehicle's charging system by adding too many electrical accessories. If the combined electrical accessories operating at any one time consume more electrical current than the vehicle's charging system can produce, the electrical consumption can discharge the battery and cause damage to the vehicle's electrical system. (00211d)

### ▲ WARNING

When installing any electrical accessory, be certain not to exceed the maximum amperage rating of the fuse or circuit breaker protecting the affected circuit being modified. Exceeding the maximum amperage can lead to electrical failures, which could result in death or serious injury. (00310a)

Heated Tour-Pak Backrest Kit 52300317 requires up to **3.0 A** more current from the electrical system.

## PREPARE

1. Remove seat. See service manual.
2. Remove main fuse. See service manual.
  - a. **Vehicles equipped with security siren:** Before removing main fuse, with security fob present, turn ignition switch ON, disarm system and turn ignition switch OFF.

## INSTALL

### King Tour-Pak

1. See Figure 3. Align the three studs on backrest (1) with drilled holes in Tour-Pak lid.
2. Fasten finger-tight with flanged locknuts (2) and flat washers (3) from kit.
3. Center and level backrest on Tour-Pak lid for best appearance.
4. Tighten flanged locknuts (2).  
Torque: 11.3–14.7 N·m (100–130 in-lbs)
  - a. **Kit 52300317:** Proceed to Extra Steps for **Heated Backrest**.
  - b. **ALL other kits:** Proceed to **ALL Installations**.

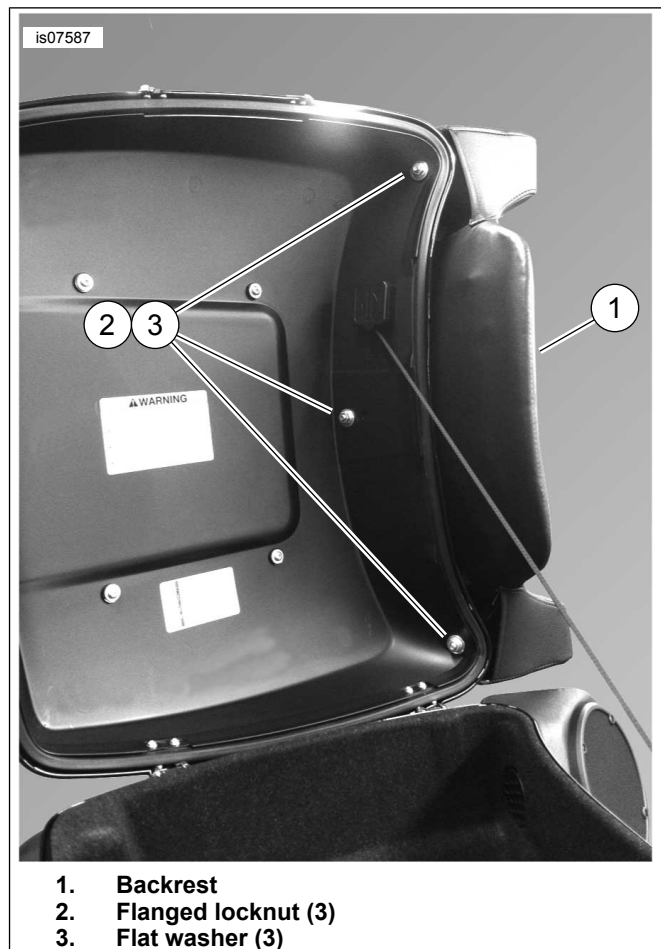


Figure 3. Mounted Backrest on King Tour-Pak Lid

### Extra Steps for Heated Backrest

1. Open Tour-Pak lid.
  - a. Extend backrest wires to their full length.
2. Route backrest wires:
  - a. Above Tour-Pak left speaker pod, up against Tour-Pak front wall
  - b. Down inboard side of speaker pod
  - c. Behind lower Tour-Pak pad
  - d. Along main wire bundle heading under the seat
3. Close Tour-Pak lid.

### NOTE

Adhesive-backed plastic clip (Part No. 69200342) and cable strap (Part No. 10006) are suggested to secure the harness.

- a. Verify that the closing lid does not pinch the harness.
- b. Secure as needed to make sure that the harness path remains clear of the lid.

4. See Figure 4. Assemble Deutsch heated backrest connector. See service manual.
5. Install harness extension:
  - a. **2014-2016 Touring Models:** (Part No. 69200722, purchased separately). Plug eight-way Molex connector into accessory circuit connector [4A] on electrical panel under left side cover. Route four-way Deutsch pin connector to a position under the seat.
  - b. **2017 and Later Touring Models:** (Part No. 69201599, purchased separately). Plug three-way Molex connector into accessory circuit connector [325B] on electrical panel under right side cover. Route four-way Deutsch pin connector to a position under the seat.
6. Route Deutsch heated backrest connector underneath the seat.
  - a. Connect to the four-way accessory harness extension connector.
  - b. Stow wires to make sure that they are not damaged by the seat.
  - c. Proceed to **ALL Installations**.

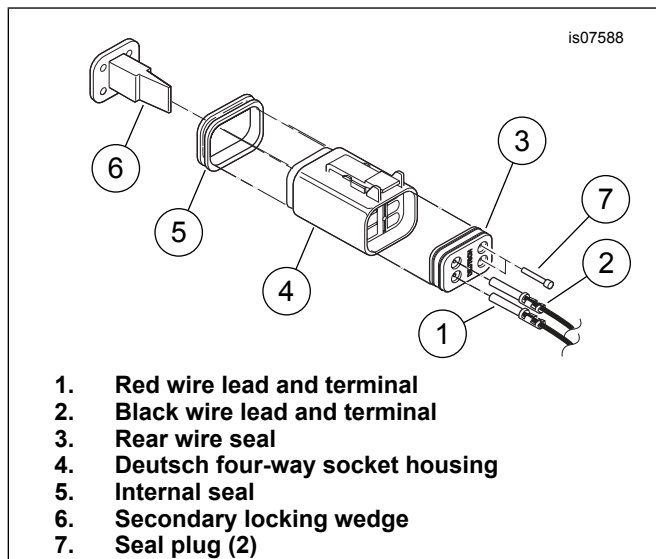
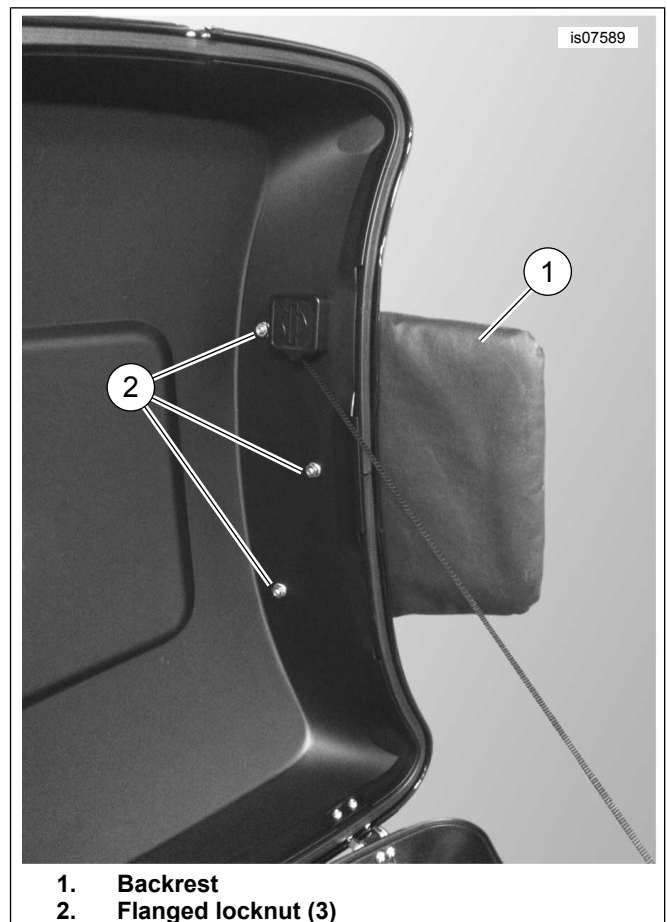


Figure 4. Insert Terminals into Deutsch Socket Housing

### Chopped Tour-Pak

1. See Figure 5. Align the three studs on backrest (1) with drilled holes in Tour-Pak lid.
2. Fasten finger-tight with flanged locknuts (2) and flat washers (3) from kit.
3. Center and level backrest on Tour-Pak lid for best appearance.
4. Tighten flanged locknuts (2).  
Torque: 7.9–9 N·m (70–80 in-lbs)
  - a. Proceed to **ALL Installations**



1. Backrest
2. Flanged locknut (3)

Figure 5. Mounted Backrest on Chopped Tour-Pak Lid

### ALL Installations

#### NOTE

Verify that the ignition switch is OFF before installing the main fuse.

1. Install main fuse. See service manual.
2. Close Tour-Pak cover. Check for proper backrest alignment.
3. Install seat. After installing seat, pull up on seat to verify it is secure. See service manual.

### HEATED BACKREST TEST AND OPERATION

1. See Figure 1. Rocker switch (13) on left side of backrest pad (1) controls the heat setting.
2. Turn ignition switch ON.
3. Verify proper operation of heated backrest.
  - a. With rocker switch in the center position, the heat to the backrest is OFF.
  - b. Press lower part of switch to turn heat on LOW.
  - c. Press upper part of switch to turn heat on HIGH.

4. Turn ignition switch to ACCY.
  - a. Rocker switch operates in the same way as in the ON position.
5. Turn ignition switch OFF.
  - a. Backrest does not provide heat in any rocker switch position.