



INSTRUCTIONS

J04394


2024-01-25



TOURING SEATS

GENERAL INFORMATION

Table 1. General Information

Kits	Suggested Tools	Skill Level ⁽¹⁾
51615-09, 51630-09, 51729-09, 52067-08, 52093-08, 52095-08, 52099-09, 52619-08, 53051-09, 54382-11, 54383-11, 52000003A, 52000026, 52000126, 52000128, 52000131, 52000132, 52000134, 52000176, 52000183, 52000252, 52000334, 52000566, 52000567, 52000654	Safety glasses, Torque wrench, Screwdriver (flat-head), Isopropyl alcohol	
<i>(1) Tightening to torque value or other moderate tools and techniques required</i>		

KIT CONTENTS

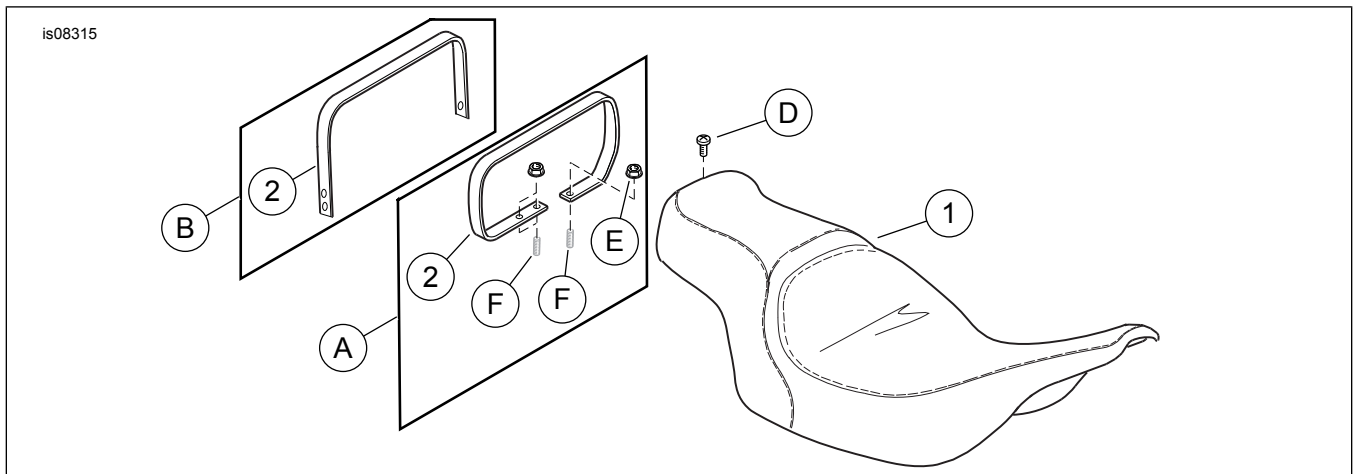


Figure 1. Kit Contents: Touring Seat



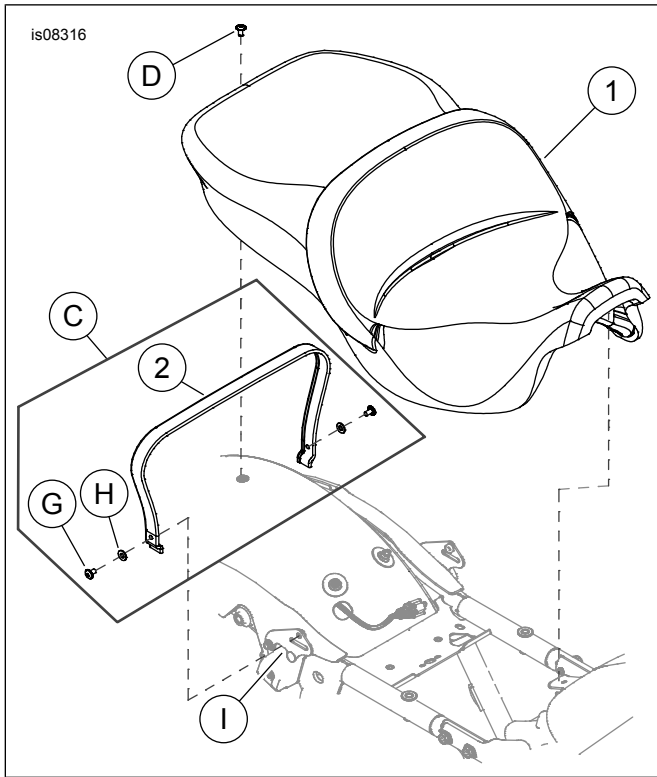


Figure 2. Kit Contents: Touring Seat

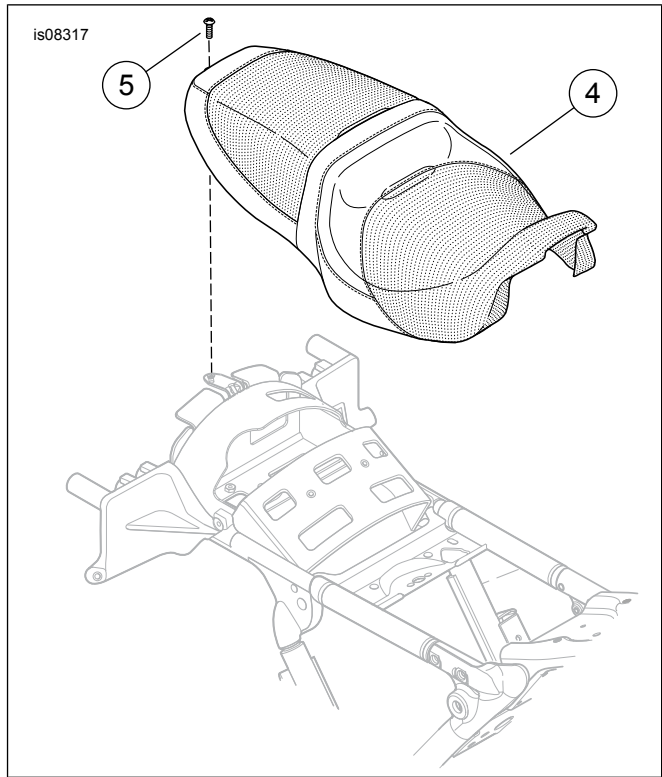


Figure 3. Kit Contents: FLRT Seat

Table 2. Kit Contents: Touring Seat Kit

<input checked="" type="checkbox"/>	Verify that all contents are present in the kit before installing or removing items from vehicle.				
<input type="checkbox"/>	Item	Qty	Description	Part No.	Notes
<input type="checkbox"/>	1	1	Seat, (plain pattern shown)	Not sold separately	
<input type="checkbox"/>	2	1	Grab strap	51680-07	Kits 51615-09, 51630-09, 52093-08, 52619-08, 54382-11, 54383-11
<input type="checkbox"/>				51188-86	Kit 51729-09
<input type="checkbox"/>				69142-05	Kit 52067-08
<input type="checkbox"/>				53031-05	Kit 52095-08
<input type="checkbox"/>				51176-96C	Kit 52099-09
<input type="checkbox"/>				52000-09	Kit 53051-09
<input type="checkbox"/>				52400005	Kits 52000003A, 52000567
<input type="checkbox"/>				52400009	Kit 52000026
<input type="checkbox"/>				52400015	Kit 52000126
<input type="checkbox"/>				52400099	Kits 52000128, 52000134, 52000252, 52000334
<input type="checkbox"/>				52400098	Kits 52000131, 52000132
<input type="checkbox"/>				52400126	Kits 52000176, 52000566
<input type="checkbox"/>				Not sold separately	Kit 52000183
<input type="checkbox"/>				52400325	Kit 52000654
<input type="checkbox"/>	3	1	Leather care package (included with leather seats only, not shown)	Not sold separately	
<input type="checkbox"/>	4	1	Seat, FLRT	52000157	
<input type="checkbox"/>	5	1	Screw	2952A	
Items mentioned in text, but not included in kit					
<input checked="" type="checkbox"/>	A	2	Mounting method A	Kits 51615-09, 51630-09, 51729-09, 52067-08, 52093-08, 52095-08, 52099-09, 52619-08, 54382-11, 54383-11, 52000003A, 52000026, 52000567, 52000654	
<input checked="" type="checkbox"/>	B	4	Mounting method B	Kit 53051-09	
<input checked="" type="checkbox"/>	C	4	Mounting method C	Kits 52000126, 52000128, 52000131, 52000132, 52000134, 52000176, 52000183, 52000252, 52000334, 52000566	
<input checked="" type="checkbox"/>	D	1	Original Equipment (OE) screw, phillips-head	2952A	
<input checked="" type="checkbox"/>	E	2	OE nut, flange	7499	
<input checked="" type="checkbox"/>	F	2	OE stud		
<input checked="" type="checkbox"/>	G	2	OE screw, phillips-head	2952A	
<input checked="" type="checkbox"/>	H	2	OE flat washer	6703	
<input checked="" type="checkbox"/>	I	1	OE strap mount bracket		

GENERAL

Models

For model fitment information, see the Parts and Accessories (P&A) Retail Catalog or the Parts and Accessories section of www.harley-davidson.com.

Verify that the most current version of the instruction sheet is used. It is available at: h-d.com/isheets

Contact Harley-Davidson Customer Support Center at 1-800-258-2464 (U.S. only) or 1-414-343-4056.

Installation Requirements

▲ WARNING

Rider and passenger safety depend upon the correct installation of this kit. Use the appropriate service manual procedures. If the procedure is not within your capabilities or you do not have the correct tools, have a Harley-Davidson dealer perform the installation. Improper installation of this kit could result in death or serious injury. (00333b)

▲ WARNING

Do not install these seat kits on motorcycles that are not equipped with an appropriate grab strap and passenger footpegs. If footpegs and grab strap are not installed, passenger could fall from moving motorcycle or grab onto operator, causing loss of control and death or serious injury. (00410b)

NOTE

This instruction sheet references service manual information. A service manual for the year and model motorcycle is required for this installation and is available from:

- A Harley-Davidson dealer.
- H-D Service Information Portal, a subscription-based access available for most 2001 and newer models. For more information see *Frequently ask questions about subscriptions*.

REMOVE

2013 and Earlier Models

NOTE

- Cover painted parts to protect finish.
- Before removing the saddlebag mounting bracket attaching bolts, note the mounting orientation of the saddlebag mounting brackets.

1. Remove left and right saddlebags. See service manual.
 - a. Retain all hardware.
2. See Figure 4. Remove left side screw (1) and washer (2) to remove bracket (4) and passenger grab strap (3).
 - a. Repeat for right side saddlebag mounting bracket.

3. Remove screw with lockwasher (D) from rear of currently installed seat.
 - a. Pull seat rearward to remove seat. Retain screw.
4. **ALL Kits except 53051-09:** Remove two flanged nuts (E) from studs (F) near front of rear fender.
5. **Fender strips:** Remove fender trim strips.
 - a. Cover tip of a regular screwdriver with a piece of tape to protect chrome and painted surfaces.
 - b. See Figure 5. Insert tip of screwdriver between chrome bezel and rubber trim strip.
 - c. Pry up bezel enough to get a hold of it. Pull bezel up and away from rubber trim strip.
 - d. Starting at either end, peel rubber trim strip away from fender.
 - e. Clean with a mixture of 50 percent isopropyl alcohol and 50 percent distilled water.

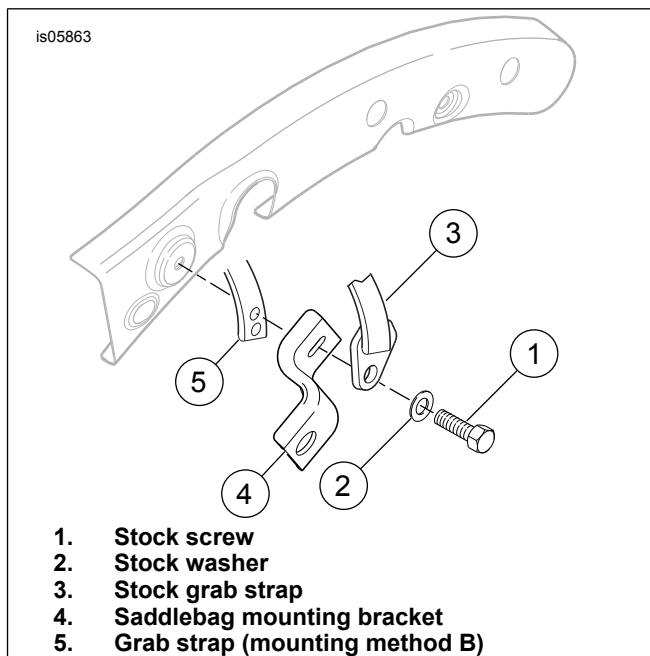


Figure 4. 2013 and Earlier: Remove Grab Strap and Install Kit 53051-09

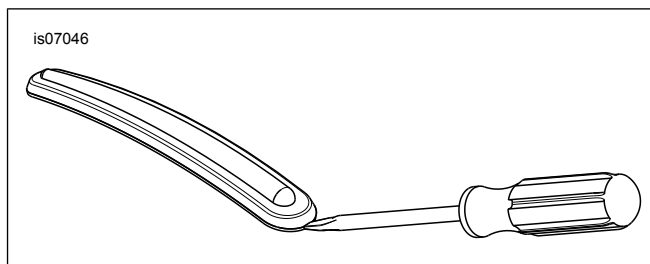


Figure 5. Remove Fender Trim Strip

2014 and Later Models

NOTE

Cover painted parts to protect finish.

1. See Figure 2. Remove grab strap screws (G), washers (H) and grab strap from vehicle.
 - a. Retain all hardware.
2. **Tour-Pak® models:** Open Tour-Pak lid to access seat mounting.
3. Remove screw with lockwasher (D) and seat.

INSTALL

2013 and Earlier Models: ALL Kits except 53051-09 (Mounting Method A)

1. See Figure 6. Install grab strap (2) onto studs.
 - a. Secure grab strap to studs (F) with nuts (E). Tighten.
Torque: 6.8–10.8 N·m (5–8 ft-lbs)
2. See Figure 7. Slide rear of seat through grab strap, from front, until slot (2) on front underside of seat is behind seat mounting tongue (1) on fuel tank rear bracket.
3. Press seat down onto frame backbone.
 - a. Slide seat forward until fuel tank bracket tongue fully engages into slot under seat.
4. Secure seat onto rear fender with screw and lockwasher removed earlier. Tighten.
Torque: 5.4–8.1 N·m (4–6 ft-lbs)
5. After installing seat, pull up on seat to verify that it is secure. See service manual.

2013 and Earlier Models: Kit 53051-09 (Mounting Method B)

1. See Figure 7. Install seat until slot (2) on front underside of seat is behind seat mounting tongue (1) on fuel tank rear bracket.
2. Press seat down onto frame backbone.
 - a. Slide seat forward until fuel tank bracket tongue fully engages into slot under seat.
3. Secure seat onto rear fender with screw and lockwasher removed earlier. Tighten.
Torque: 5.4–8.1 N·m (4–6 ft-lbs)
4. See Figure 4. Install grab strap (5) behind saddlebag mounting bracket (4).
 - a. See Figure 6. Use grab strap mounting holes.
5. Tighten stock screws.
Torque: 20–27 N·m (15–20 ft-lbs)
6. After installing seat, pull up on seat to verify that it is secure. See service manual.

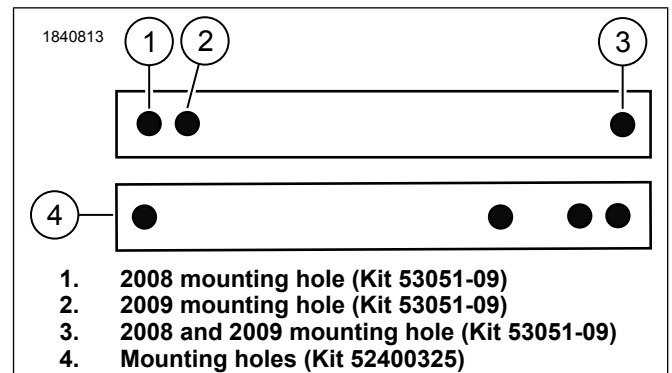


Figure 6. Grab Strap

2014 and Later Models (Mounting Method C)

1. See Figure 7. Install seat until slot (2) on front underside of seat is behind seat mounting tongue (1) on fuel tank rear bracket.
2. Press seat down onto frame backbone.
 - a. Slide seat forward until fuel tank bracket tongue fully engages into slot under seat.
3. Align seat mounting tab with mounting hole.
 - a. Do not pinch vehicle wiring.
4. See Figure 2. Install seat mounting screw (D). Tighten.
Torque: 5.4–8.1 N·m (4–6 ft-lbs)
5. Install grab strap end into grab strap bracket (I) slot.
 - a. Align grab strap hole with bracket hole.
6. Install grab strap screw (G) and washer (H). Tighten.
Torque: 5.4–8.1 N·m (4–6 ft-lbs)
7. After installing seat, pull up on seat to verify that it is secure. See service manual.

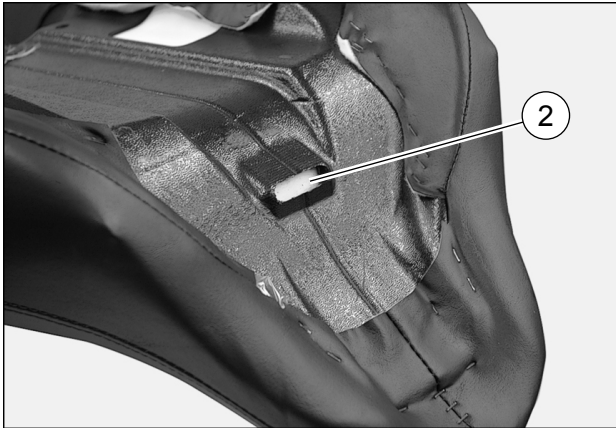
ALL Models

NOTE

The molded rubber insert at the bottom of the saddlebags must fit snugly on the lower saddlebag support rails.

1. If removed, install saddlebags. See service manual.
 - a. Secure with OE hardware removed earlier.
2. Tighten forward saddlebag mounting bolts.
Torque: 7–11 N·m (62–97 in-lbs)
3. Adjust pads and wiring if necessary.

is04442



1. Fuel tank bracket tongue
2. Slot in underside of seat

Figure 7. Seat Front Mounting