



INSTRUCTIONS

J04258


2024-01-24



HANDLEBAR GRIPS

GENERAL INFORMATION

Table 1. General Information

Kits	Suggested Tools	Skill Level ⁽¹⁾
56246-08, 56263-08, 56275-08, 56425-08, 56459-08, 56518-08, 56729-08, 56740-08, 57202-08, 56746-08, 56257-09, 57457-10, 56100015, 56100036, 56100028, 56100048, 56100098, 56100108, 56100133, 56100157, 56100158, 56100174, 56100218, 56100231, 56100234, 56100319, 56100332, 56100361, 56100378, 56100391, 56100394, 56100411, 56100427, 56100428, 56100429, 56100478, 56100544, 56100545, 56100558, 56100559	Safety Glasses, Torque Wrench	
<i>(1) Tightening to torque value or other moderate tools and techniques required</i>		

KIT CONTENTS

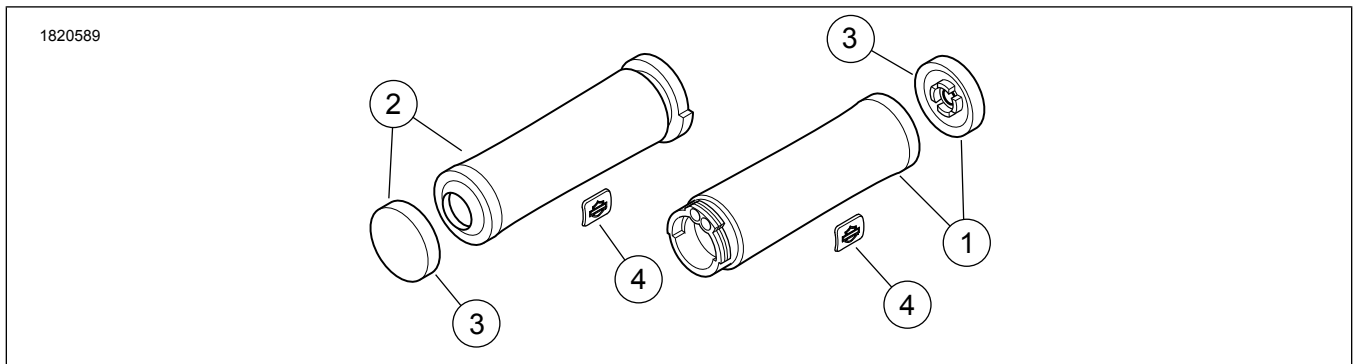


Figure 1. Kit Contents: Handlebar Grips (generic style shown)

NOTE

- For illustration purposes, generic-styled handlebar grips are shown.
- Each grip includes a replaceable end cap, except for Nostalgic, Aileron, Edge cut, Get-A-Grip, Slipstream, Burst, Streamliner, Brass, Endgame, Airflow and Ride Free grips which have closed ends.

Table 2. Kit Contents: Handlebar Grips Kit

Verify that all contents are present in the kit before installing or removing items from vehicle.					
<input checked="" type="checkbox"/>	Item	Qty	Description	Part No.	Notes
<input type="checkbox"/>	1	1	Grip, right	56100414	Kit 56400411
<input type="checkbox"/>			Grip, right, chrome	56100424	Kit 56100427
<input type="checkbox"/>			Grip, right, black, '66 collection	56100496	Kit 56100478
<input type="checkbox"/>			Grip, right, black, adversary	56100541	Kit 56100544
<input type="checkbox"/>			Grip, right, gray, adversary	56100543	Kit 56100545
<input type="checkbox"/>			Grip, right, black	56100425	Kit 56100528
<input type="checkbox"/>				56100560	Kit 56100558
<input type="checkbox"/>				56100561	Kit 56100559
<input type="checkbox"/>			Grip, right, black, edge cut	56100426	Kit 56100429
<input type="checkbox"/>			2	1	Grip, left
<input type="checkbox"/>	Grip, left, chrome	56100421			Kit 56100427
<input type="checkbox"/>	Grip, left, black, '66 collection	56100495			Kit 56100478
<input type="checkbox"/>	Grip, left, black, adversary	56100540			Kit 56100544
<input type="checkbox"/>	Grip, left, gray, adversary	56100542			Kit 56100545
<input type="checkbox"/>	Grip, left, black	56100422			Kit 56100528
<input type="checkbox"/>		56100562			Kit 56100558
<input type="checkbox"/>		56100563			Kit 56100559
<input type="checkbox"/>	Grip, left, black, edge cut	56100423	Kit 56100429		

Table 2. Kit Contents: Handlebar Grips Kit

Verify that all contents are present in the kit before installing or removing items from vehicle.					
<input checked="" type="checkbox"/>	Item	Qty	Description	Part No.	Notes
<input type="checkbox"/>	3	2	End cap, chrome	56100472	Kit 56100427
<input type="checkbox"/>			End cap, chrome	56100329	Kit 56100319
<input type="checkbox"/>			End cap, chrome and rubber, small	56252-96	Kit 56246-08
<input type="checkbox"/>			End cap, chrome and rubber, large	56252-96	Kit 56263-08
<input type="checkbox"/>			End cap, tribal	56769-09	Kit 56257-09
<input type="checkbox"/>			End cap, contoured chrome and rubber, ironside	56480-01	Kits 56459-08, 57202-08
<input type="checkbox"/>			End cap, flame	56656-02	Kit 56518-08
<input type="checkbox"/>			End cap, stealth	56480-01	Kit 56729-08
<input type="checkbox"/>			End cap, skull, medium	56754-04	Kit 56740-08
<input type="checkbox"/>			End cap, diamond black	56464-08	Kit 56746-08
<input type="checkbox"/>			End cap, edge cut	N/A	Kit 57457-10
<input type="checkbox"/>			End cap, aileron	N/A	Kit 56425-08
<input type="checkbox"/>			End cap, nostalgic	N/A	Kit 56275-08
<input type="checkbox"/>			End cap, get-a-grip, chrome, large	N/A	Kit 56100015
<input type="checkbox"/>			End cap, get-a-grip, black, large	N/A	Kit 56100036
<input type="checkbox"/>			End cap, slipstream	N/A	Kit 56100028
<input type="checkbox"/>			End cap, burst	N/A	Kit 56100098
<input type="checkbox"/>			End cap, streamliner	N/A	Kit 56100048
<input type="checkbox"/>			End cap, airflow	N/A	Kits 56100108, 56100218
<input type="checkbox"/>			End cap, Brass	N/A	Kit 56100133
<input type="checkbox"/>			End cap, defiance, black	56100205	Kit 56100157
<input type="checkbox"/>			End cap, defiance, chrome	56100204	Kit 56100158
<input type="checkbox"/>			End cap, defiance, edge cut	56100203	Kit 56100174
<input type="checkbox"/>			End cap, black, edge cut	56100470	Kit 56100429
<input type="checkbox"/>			End cap, black	56100337	Kit 56100332
<input type="checkbox"/>				56100471	Kit 56100428
<input type="checkbox"/>				56100598	Kit 56100558
<input type="checkbox"/>				56100599	Kit 56100559
<input type="checkbox"/>			End cap, willie g skull, matte black	56100375	Kit 56100361
<input type="checkbox"/>			End cap, ride free	N/A	Kit 56100378

Table 2. Kit Contents: Handlebar Grips Kit

Verify that all contents are present in the kit before installing or removing items from vehicle.					
<input checked="" type="checkbox"/>	Item	Qty	Description	Part No.	Notes
<input type="checkbox"/>	4	2	Medallion	14100879	Kits 56100157, 56100158, 56100174,
<input type="checkbox"/>				N/A	Kits 56100427, 56100428, 56100429
<input type="checkbox"/>			Medallion, chrome	14101170	Kit 56100319
<input type="checkbox"/>			Medallion, black	14101132	Kit 56100332

GENERAL

Models

For model fitment information, see the Parts and Accessories (P&A) Retail Catalog or the Parts and Accessories section of www.harley-davidson.com.

Verify that the most current version of the instruction sheet is used. It is available at: h-d.com/isheets

Contact Harley-Davidson Customer Support Center at 1-800-258-2464 (U.S. only) or 1-414-343-4056.

Installation Requirements

NOTE

Screwheads on Endgame handgrips are decorative only. Any attempt to adjust these screws could lead to damage of the handgrips.

▲ WARNING

Rider and passenger safety depend upon the correct installation of this kit. Use the appropriate service manual procedures. If the procedure is not within your capabilities or you do not have the correct tools, have a Harley-Davidson dealer perform the installation. Improper installation of this kit could result in death or serious injury. (00333b)

NOTE

This instruction sheet references service manual information. A service manual for the year and model motorcycle is required for this installation and is available from:

- A Harley-Davidson dealer.
- H-D Service Information Portal, a subscription-based access available for most 2001 and newer models. For more information see *Frequently ask questions about subscriptions*.

LEFT SIDE GRIP

REMOVE

1. See Figure 2. Remove upper and lower switch housings screws (1).
2. Loosen upper screw securing handlebar clamp (3) to clutch lever bracket.
3. Remove lower clamp screw and flat washer.

4. Loosen clamp and position clutch hand lever assembly away from switch housing.
5. Separate upper and lower switch housings.
6. Remove end cap from existing left handlebar grip if equipped.
 - a. **Glueless grips:** Remove grip from handlebar.
 - b. **Glued grips:** Remove grip by carefully cutting it away from handlebar using a sharp blade or knife.

INSTALL

NOTE

- When routing and closing Right and Left Hand Control Modules (R&LHCMs), verify there are no pinched wires. See service manual.
- Carefully install clutch lever to not damage the clutch switch. See service manual.

NOTE

Thoroughly clean handlebar to remove all residual adhesive.

▲ WARNING

Do not lubricate left handlebar grip before installation. Lubricating grip can cause it to come off while riding, which could result in loss of control and death or serious injury. (00315a)

1. position **new** left grip (4) so larger diameter portion of flange (5) is at the bottom.
2. Push grip fully onto handlebar.
3. Position lower switch housing beneath grip so that grooves (2) on outboard side of switch housing fit over the flange on end of grip.
4. Position upper switch housing over handlebar and lower switch housing.
5. Start upper and lower switch housing screws, but do not tighten.
6. Verify that the wire harness conduit runs in the depression at bottom of handlebar.

7. Position clutch hand lever assembly inboard of switch housing assembly, engaging the tab on lower switch housing in groove at bottom of clutch lever bracket.
8. Align hole in handlebar clamp with hole in clutch lever bracket, and start the lower screw with flat washer.
9. Adjust switch housing and clutch hand control position for rider comfort.
10. Secure first the upper, then lower handlebar clamp screws. Tighten.
Torque: 6.8–9 N·m (60–80 in-lbs)
11. Secure first the lower, then upper switch housing screws. Tighten.
Torque: 4–5.4 N·m (35–48 in-lbs)

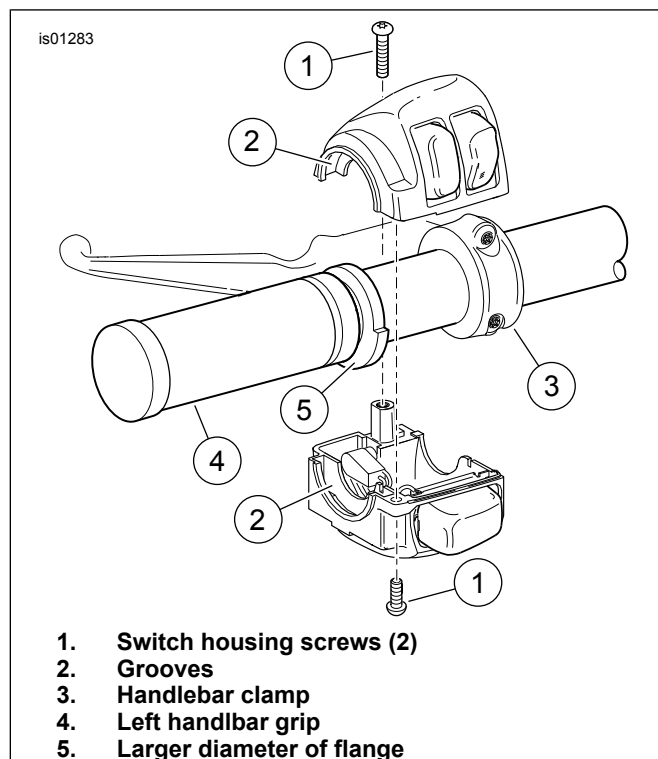


Figure 2. Left Handlebar Switch Housing

RIGHT SIDE GRIP

REMOVE

NOTICE

Do not remove or install the master cylinder assembly without first positioning a 5/32-inch (4 mm) thick insert between the brake lever and lever bracket. Removing or installing the master cylinder assembly without the insert in place may result in damage to the rubber boot and plunger on the front stoplight switch. (00324a)

1. Remove switch housings and right side grip (throttle twist grip). See service manual.

INSTALL

NOTE

When installing Right Hand Control Module (RHCM), verify throttle end play is set correctly. See service manual.

1. Install switch housing and right side grip (throttle twist grip). See service manual.
2. Adjust switch housing and brake hand control position for rider comfort.
3. Secure first the upper, then lower handlebar clamp screws. Tighten.
Torque: 6.8–9 N·m (60–80 in-lbs)
4. Secure first the lower, then upper switch housing screws. Tighten.
Torque: 4–5.4 N·m (35–48 in-lbs)

⚠ WARNING

Before starting engine, be sure throttle control will snap back to idle position when released. A throttle control that prevents engine from automatically returning to idle can lead to loss of control, which could result in death or serious injury. (00390a)

5. Verify that right grip/throttle sleeve rotates and returns freely and does not bind on handlebar or switch housing.

CARE AND CLEANING GUIDELINES FOR BRASS PARTS

Cleaning Instructions

1. Verify part is dry and free of dirt or debris.
2. Place a small amount of Harley-Davidson® Chrome Clean & Shine on a microfiber cloth or detailing swab.
3. using light pressure, rub brass parts with microfiber cloth. For hard to reach places or grooves, use detailing swab.

Obtaining a Bright Finish

Brass parts will naturally age and darken with time. If a bright brass finish is preferred, place some Harley-Davidson Bare Metal Polish on a microfiber cloth and lightly rub on the brass parts until they reach the desired brightness.

Slowing the Natural Aging Process

To slow the aging process of the brass parts, place a small amount of Harley-Davidson Glaze Poly Sealant on a microfiber cloth or detailing swab, and lightly rub on the parts until the sealant has soaked in.

Precautions

- Use of non-recommended cleaning, polishing and protective products will result in the removal of the aged finish from the brass parts.
- Prolonged contact with certain items (hands, gloves, boots, dust, etc.) and exposure to the elements will also alter all surface finishes and is NOT considered a defect.

- Avoid cleaning parts with abrasive and aggressive chemicals and abrasive cleaning pads.
- Avoid ammoniated products and bleach.
- Prolonged exposure to water will alter the brass finish. Wipe down parts after contact with water.
- Excess rubbing may lighten the surface appearance of the part.