



INSTRUCTIONS

94100386

2024-01-23



FLAT-OUT BAR

GENERAL INFORMATION

Table 1. General Information

Kits	Suggested Tools	Skill Level ⁽¹⁾
49000242	Safety Glasses, Torque Wrench	

(1) Tightening to torque value or other moderate tools and techniques required

KIT CONTENTS

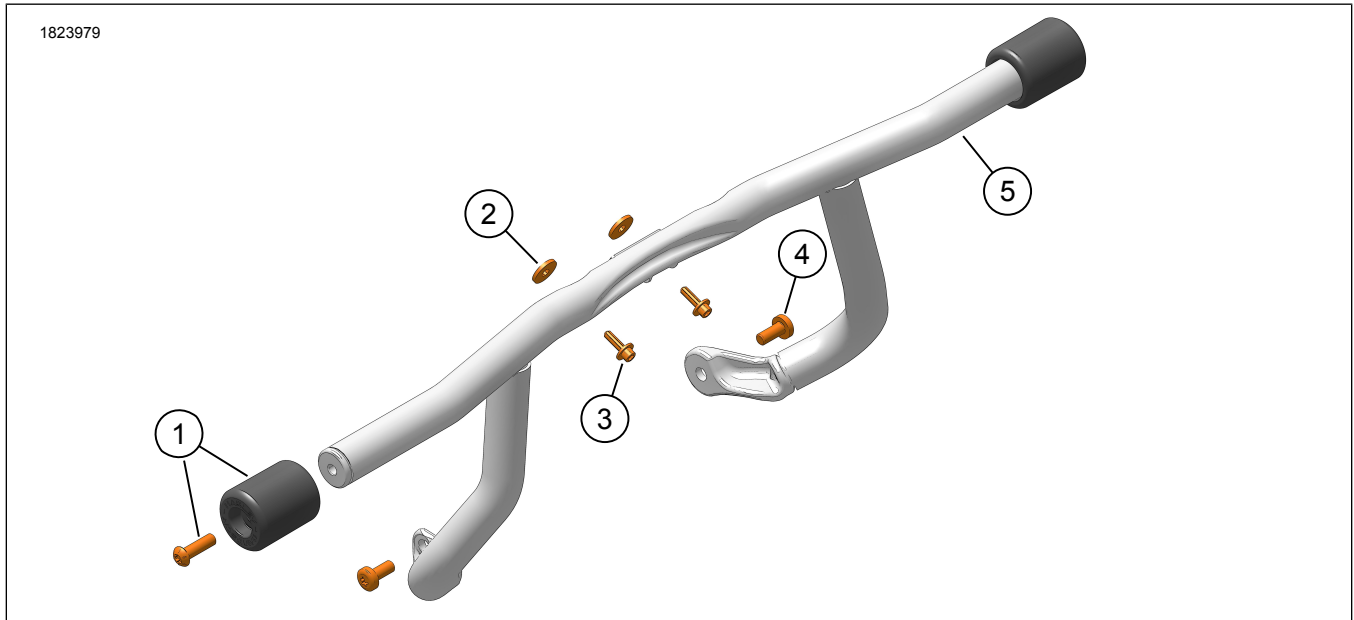


Figure 1. Kit Contents: Flat-Out Bar

Table 2. Kit Contents: Flat-Out Bar

<input checked="" type="checkbox"/>	Verify that all contents are present in the kit before installing or removing items from vehicle.				
Item	Qty	Description	Part No.	Notes	
<input type="checkbox"/>	1	2	Service kit (bumper and screw)	49000243	
<input type="checkbox"/>	2	2	Washer	10300129	2016 and earlier models only
<input type="checkbox"/>	3	2	Screw, socket head	882	
<input type="checkbox"/>	4	2	Screw, button head	4924	
<input type="checkbox"/>	5	1	Flat-Out Bar	Not sold separately	

GENERAL

Models

For model fitment information, see the Parts and Accessories (P&A) Retail Catalog or the Parts and Accessories section of www.harley-davidson.com.

Verify that the most current version of the instruction sheet is used. It is available at: h-d.com/isheets

Contact Harley-Davidson Customer Support Center at 1-800-258-2464 (U.S. only) or 1-414-343-4056.

Installation Requirements

⚠ WARNING

Rider and passenger safety depend upon the correct installation of this kit. Use the appropriate service manual procedures. If the procedure is not within your capabilities or you do not have the correct tools, have a Harley-Davidson dealer perform the installation. Improper installation of this kit could result in death or serious injury. (00333b)

NOTE

This instruction sheet references service manual information. A service manual for the year and model motorcycle is required for this installation and is available from:

- A Harley-Davidson dealer.
- H-D Service Information Portal, a subscription-based access available for most 2001 and newer models. For more information see *Frequently ask questions about subscriptions*.

These items are available at your local Harley-Davidson dealership.

- **FLTR Models with Fairing Supported by Engine Guard:** Separate purchase of Fairing Support Kit (Part No. 49000274) is required.

REMOVE

1. See Figure 2. **Vehicles Equipped with Liquid-Cooled Center Position Radiator:** Remove radiator shroud.
 - a. Turn fork left.
 - b. Pull radiator shroud (1) straight forward.
2. Remove Original Equipment (OE) engine guard. See service manual.
 - a. Discard OE engine guard screws.

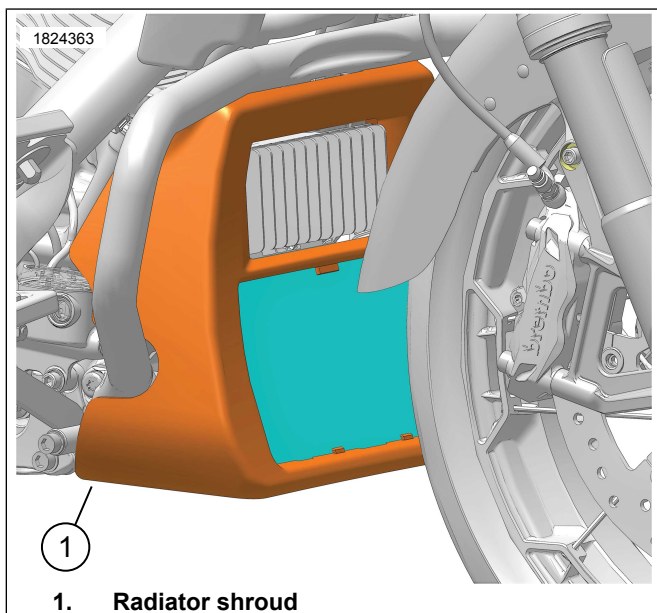


Figure 2. Radiator Shroud

INSTALL

⚠ WARNING

If Equipped: Front and/or rear guards are not intended to provide protection from bodily injury in a collision with another vehicle or any other object. (00022d)

NOTE

DO NOT use Flat-Out-Bar as a tie-down or anchor point.

1. See Figure 3. Position Flat-Out Bar (1) to frame.
2. Loosely install button head screws (4).
3. Loosely install socket head screws (3).
 - a. **2014-2016 models:** Install washers (2) between Flat-Out Bar (1) and frame.
4. Tighten screws:
 - a. **Socket Head Screw (3)**
Torque: 11–12.2 N·m (97–108 in-lbs)
 - b. **Button Head Screw (4)**
Torque: 20.3–27 N·m (15–20 ft-lbs)
5. Install bumpers and screws. Refer to SERVICE.

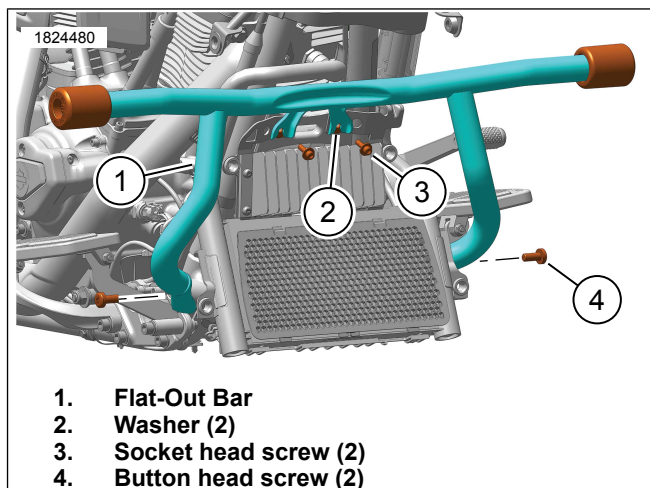


Figure 3. Flat-Out Bar

COMPLETE

1. See Figure 2. **Vehicles Equipped with Liquid-Cooled Center Position Radiator:** Install radiator shroud (1).

SERVICE

NOTE

Service kit has enough components for one side to be replaced.

Check flat-out bar for damage prior to replacing bumper. Replace as needed.

1. See Figure 4. Remove and discard screw (1) and bumper (2).

2. Install bumper (2).

3. Install screw (1). Tighten.

Torque: 23–26 N·m (17–19 ft-lbs)

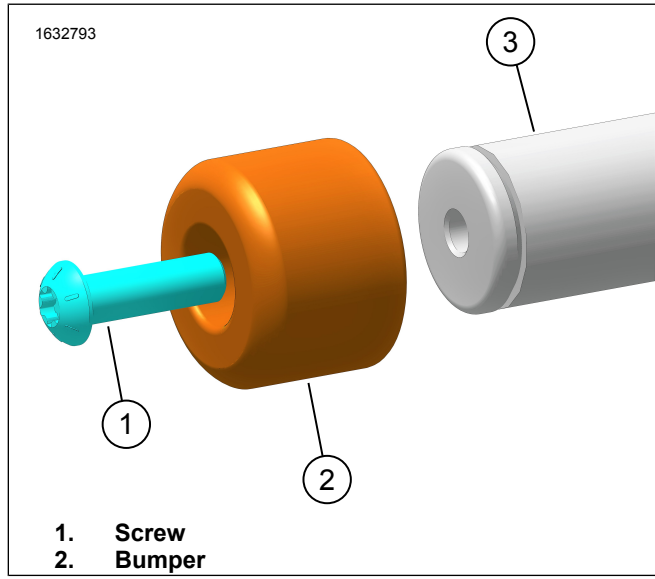


Figure 4. Bumper Replacement