



INSTRUCTIONS

94100419


2024-01-23



MIRROR KITS

GENERAL INFORMATION

Table 1. General Information

Kits	Suggested Tools	Skill Level ⁽¹⁾
91697-06B, 92190-06A, 56000135A, 56000262A, 56000294A, 56000301A, 56000305A, 56000394, 56000406	Safety Glasses, Torque Wrench	
<i>(1) Tightening to torque value or other moderate tools and techniques required</i>		

KIT CONTENTS

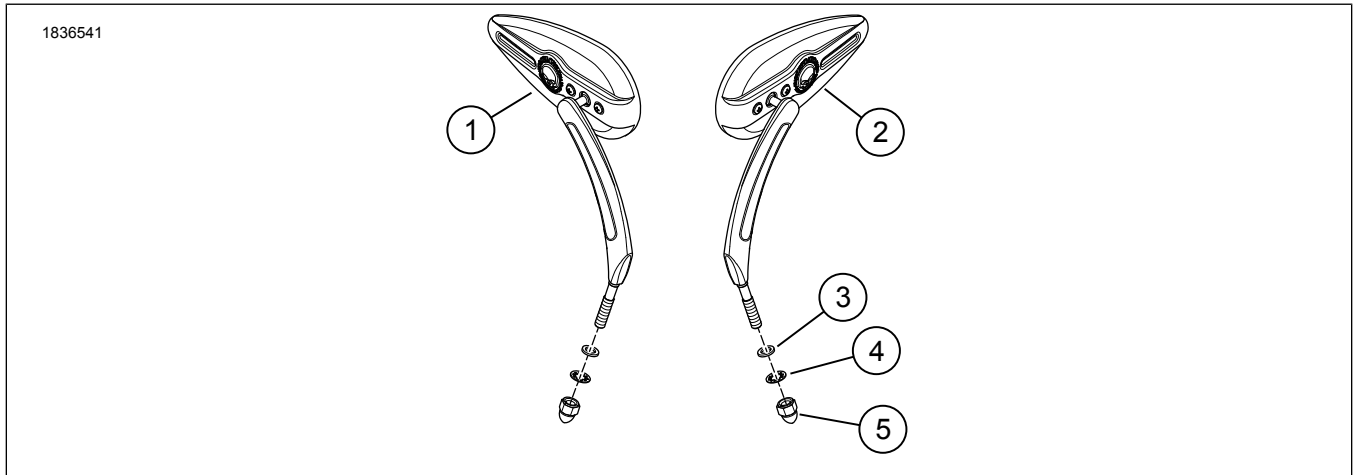


Figure 1. Kit Contents: Mirror Kits

Table 2. Kit Contents: Mirror Kits

<input checked="" type="checkbox"/> Verify that all contents are present in the kit before installing or removing items from vehicle.						
<input type="checkbox"/>	Item	Qty	Description	Part No.	Notes	
<input type="checkbox"/>	1	1	Mirror, right, chrome	92062-06B	Kit 91697-06B (Profile, slotted stem)	
<input type="checkbox"/>		1		92191-06A	Kit 92190-06A (Split Vision)	
<input type="checkbox"/>		1		56000306A	Kit 56000301A (Empire)	
<input type="checkbox"/>		1		56000395	Kit 56000394 (Willie G. Skull)	
<input type="checkbox"/>		1	1	Mirror, right, black	56000126A	Kit 56000135A (Profile, solid stem)
<input type="checkbox"/>		1	56000275A		Kit 56000262A (66 Collection)	
<input type="checkbox"/>		1	56000295A		Kit 56000294A (Empire)	
<input type="checkbox"/>		1	56000299A		Kit 56000305A (Empire, edge cut)	
<input type="checkbox"/>		1	56000402		Kit 56000406 (Willie G. Skull)	
<input type="checkbox"/>		1	1		Mirror, left, chrome	92063-06B
<input type="checkbox"/>	1	92198-06A	Kit 92190-06A (Split Vision)			
<input type="checkbox"/>	1	56000302A	Kit 56000301A (Empire)			
<input type="checkbox"/>	1	56000396	Kit 56000394 (Willie G. Skull)			
<input type="checkbox"/>	2	1	Mirror, left, black	56000125A	Kit 56000135A (Profile, solid stem)	
<input type="checkbox"/>		1		56000274A	Kit 56000262A (66 Collection)	
<input type="checkbox"/>		1		56000300A	Kit 56000294A (Empire)	
<input type="checkbox"/>		1		56000303A	Kit 56000305A (Empire, edge cut)	
<input type="checkbox"/>		1		56000404	Kit 56000406 (Willie G. Skull)	
<input type="checkbox"/>	3	2	Flat washer, chrome	6771A	Kits 91697-06B, 92190-06A, 56000301A, 56000394	
<input type="checkbox"/>		2	Flat washer, black	12404	Kits 56000135A, 56000262A, 56000294A, 56000305A, 56000406	
<input type="checkbox"/>	4	2	Lock washer, chrome	7127	Kits 91697-06B, 92190-06A, 56000301A, 56000394	
<input type="checkbox"/>		2	Lock washer, black	7155	Kits 56000135A, 56000262A, 56000294A, 56000305A, 56000406	
<input type="checkbox"/>	5	2	Acorn nut, chrome	7331	Kits 91697-06B, 92190-06A, 56000301A	
<input type="checkbox"/>		2		10400083	Kit 56000394	
<input type="checkbox"/>		2	Acorn nut, black	7352	Kit 56000135A	
<input type="checkbox"/>		2		10400082	Kits 56000262A, 56000294A, 56000305A, 56000406	

GENERAL

Contact Harley-Davidson Customer Support Center at 1-800-258-2464 (U.S. only) or 1-414-343-4056.

Models

Verify that the most current version of the instruction sheet is used. It is available at: h-d.com/isheets

ALL MODELS (EXCEPT XG AND REV MAX MODELS)

1. Remove and discard existing mirror, washer and acorn nut.
2. See Figure 2. Install flat washer (2) on mirror stud.
3. **Vehicles with turn signals mounted to underside of hand lever housings (except 2004 and later XL models):** Secure mirror using lockwasher (3) and acorn nut (4).
4. **Vehicles with turn signals mounted away from hand lever housings:**
 - a. Install mirror stud to hand lever housing.
 - b. Secure mirror with flat washer (2), lockwasher (3) and acorn nut (4).
5. Adjust mirrors for proper field of vision and tighten.

Torque: 14–16 N·m (10–12 ft-lbs)

 - a. Check adjustment and reposition if necessary.
 - b. Verify full swing of handlebars, in both directions, to ensure turn signals and other components do not touch the tank.

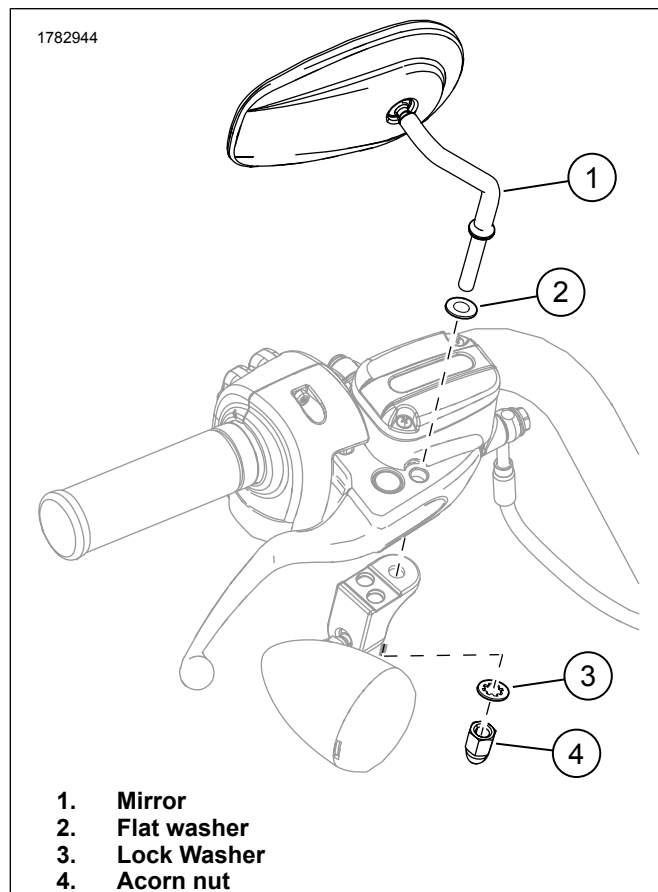


Figure 2. Mirror Assembly

XG MODELS

1. See Figure 3. Remove mirror.
 - a. Remove tube nut (3).
 - b. Remove mirror (1).
 - c. Remove mirror mount (4).
2. Install mirror.
 - a. Install mirror mount (4). Tighten.

Torque: 11.7–14.3 N·m (104–127 in-lbs)
 - b. Install tube nut (3) to mirror stem (2).
 - c. Install mirror and tube nut to mirror mount.
 - d. Adjust mirror (1). Tighten tube nut.

Torque: 11.7–14.3 N·m (104–127 in-lbs)

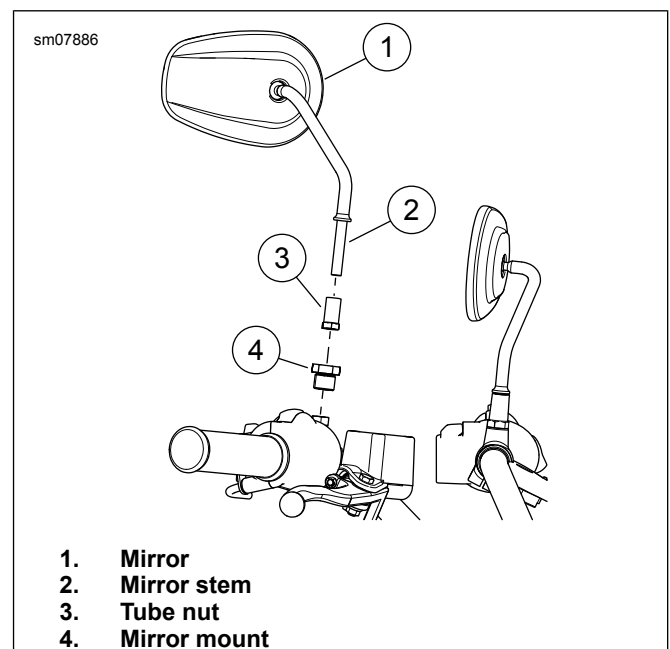


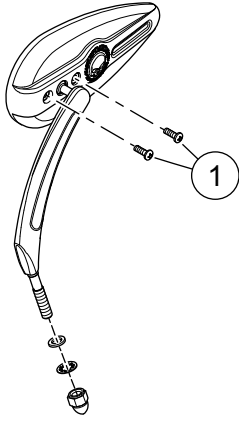
Figure 3. Mirror

MIRROR PIVOT TENSION ADJUSTMENT

1. See Figure 4. Adjust pivot tension.
 - a. Incrementally secure adjustment screws (1). Tighten.

Torque: 1.1–4 N·m (10–35 in-lbs)
 - b. Check mirror pivot resistance and continue to tighten as needed. **Do not exceed 35 in-lbs.**

1778677



1. Adjustment screw (2)

Figure 4. Pivot Tension Adjustment Screws