



INSTRUCTIONS

94100432

2024-01-23



HANDLEBAR 6 INCH RISER KIT

GENERAL INFORMATION

Table 1. General Information

Kits	Suggested Tools	Skill Level ⁽¹⁾
55801485	Safety Glasses, Torque Wrench	
<i>(1) Tightening to torque value or other moderate tools and techniques required</i>		

KIT CONTENTS

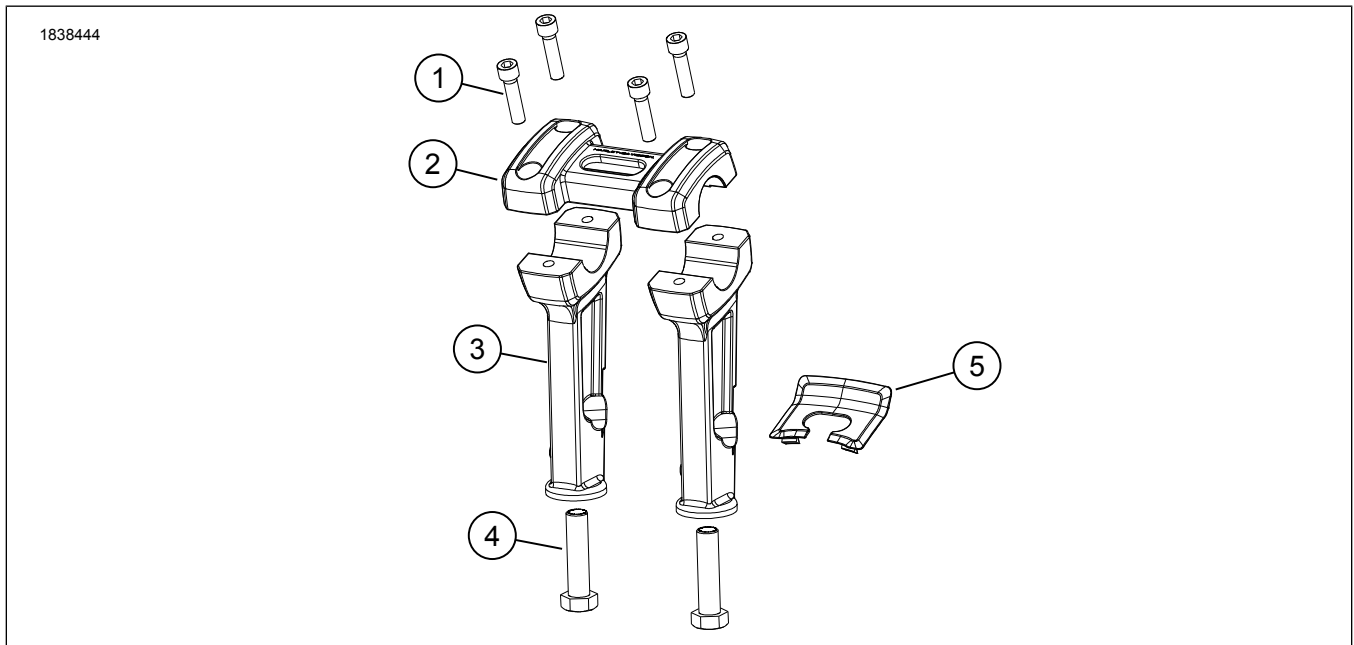


Figure 1. Kit Contents: Handlebar 6 Inch Riser Kit

Table 2. Kit Contents: Handlebar 6 Inch Riser Kit

Verify that all contents are present in the kit before installing or removing items from vehicle.					
<input checked="" type="checkbox"/>	Item	Qty	Description	Part No.	Notes
<input type="checkbox"/>	1	4	Screw, socket head	3210A	
<input type="checkbox"/>	2	1	Clamp, black	Not sold separately	
<input type="checkbox"/>	3	1	Riser, 6 inch, black	Not sold separately	
<input type="checkbox"/>	4	2	Screw, with lock patch	12600032	
<input type="checkbox"/>	5	1	Nacelle plug	55801537	

GENERAL

Models

For model fitment information, see the Parts and Accessories (P&A) Retail Catalog or the Parts and Accessories section of www.harley-davidson.com.

Verify that the most current version of the instruction sheet is used. It is available at: h-d.com/isheets

Contact Harley-Davidson Customer Support Center at 1-800-258-2464 (U.S. only) or 1-414-343-4056.

Installation Requirements

⚠ WARNING

Rider and passenger safety depend upon the correct installation of this kit. Use the appropriate service manual procedures. If the procedure is not within your capabilities or you do not have the correct tools, have a Harley-Davidson dealer perform the installation. Improper installation of this kit could result in death or serious injury. (00333b)

NOTE

This instruction sheet references service manual information. A service manual for the year and model motorcycle is required for this installation and is available from:

- A Harley-Davidson dealer.
- H-D Service Information Portal, a subscription-based access available for most 2001 and newer models. For more information see *Frequently ask questions about subscriptions*.

PREPARE

1. Remove main fuse. See service manual.
2. Remove master cylinder/brake lever assembly from handlebar. See service manual.
3. Remove clutch hand control bracket assembly from handlebar. See service manual.

REMOVE

1. Remove nacelle from upper fork stem bracket. See service manual.

NOTE

Depending on model, P-Clamp for brakeline may be visually different depending on model.

2. Figure 2 Remove and retain screws.

- a. P-Clamp screw (1).
- b. Ground screw (2).

3. Remove handlebar from riser.

- a. Cover fuel tank with clean protective cloth.
- b. Remove screws and riser clamp.

4. Figure 3 Disassemble riser assembly.

- a. Remove screws (7).
- b. Remove OE riser(s) (2).

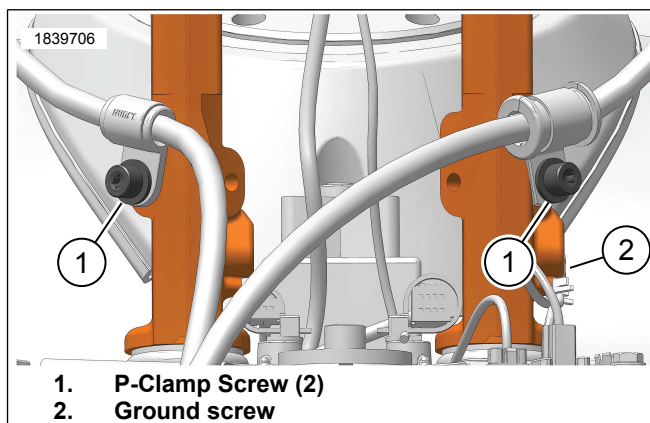


Figure 2. P-Clamp and Ground Screws

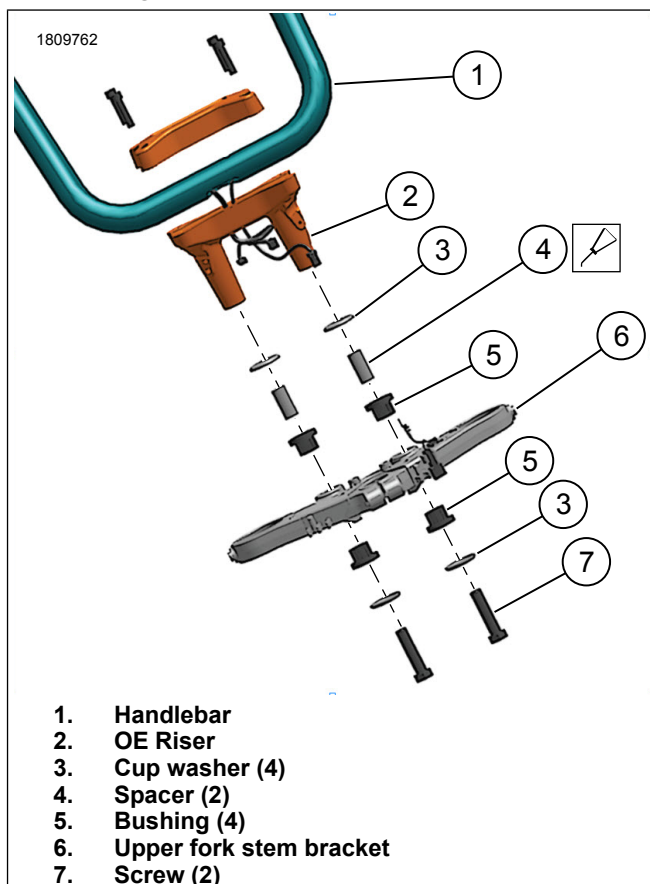


Figure 3. OE Handlebar Riser

INSTALL

1. Figure 4 Install risers to upper fork stem bracket.

- a. Position riser (3) on upper fork stem.
- b. Install riser screws (4). Do not tighten screws at this time.

2. Install handlebar.
 - a. Refer to service manual to install controls and hand levers.
3. Install riser clamp.
 - a. Loosely install riser clamp (1) with text facing rider.
 - b. Install clamp screws (2).
4. Figure 6 Tighten clamp screws in order.
 - a. Adjust handlebar to desired position.
 - b. Verify handlebar is centered on risers.
 - c. Tighten rear screws (2).
Torque: 21.7–24.4 N·m (16–18 ft-lbs)
 - d. Tighten front screws (1).
Torque: 21.7–24.4 N·m (16–18 ft-lbs)
5. Figure 4 Apply threadlocker to riser screws.
 - a. Remove one riser screw (4).
 - b. Apply threadlocker to screw threads.
LOCTITE 262 HIGH STRENGTH THREADLOCKER AND SEALANT (RED) (94759-99)
 - c. Install riser screw (4).
 - d. Repeat procedure for other screw.
 - e. Check that risers are properly aligned with handlebar.
 - f. Tighten riser screws (4).
Torque: 40.7–54.2 N·m (30–40 ft-lbs)

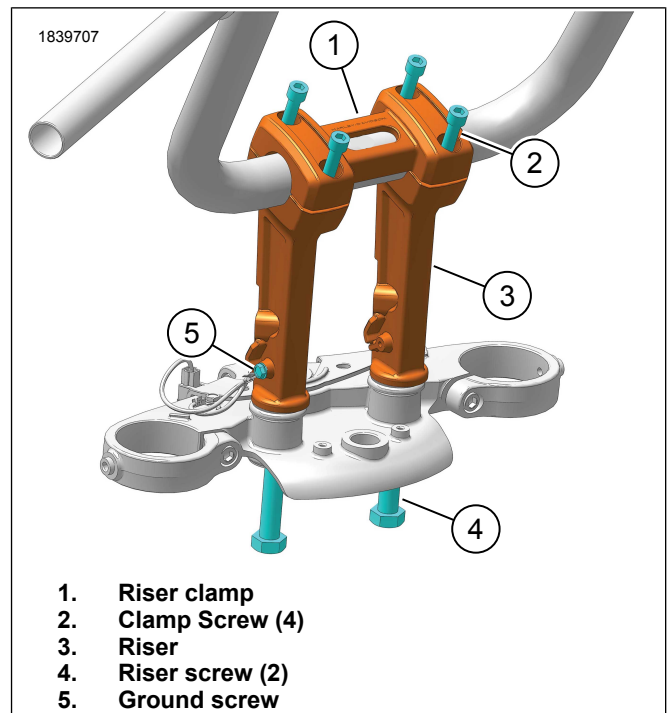


Figure 4. Riser Install

- a. Remove one riser screw (4).
 - b. Apply threadlocker to screw threads.
LOCTITE 262 HIGH STRENGTH THREADLOCKER AND SEALANT (RED) (94759-99)
 - c. Install riser screw (4).
 - d. Repeat procedure for other screw.
 - e. Check that risers are properly aligned with handlebar.
 - f. Tighten riser screws (4).
Torque: 40.7–54.2 N·m (30–40 ft-lbs)
6. Install nacelle to upper fork stem bracket. See service manual.
 7. Figure 5 Install nacelle plug.
 - a. Install nacelle plug (1) at top of nacelle.
 - b. Route wire harness in nacelle plug opening.
 - c. Pivot nacelle plug (1) down and snap into place.

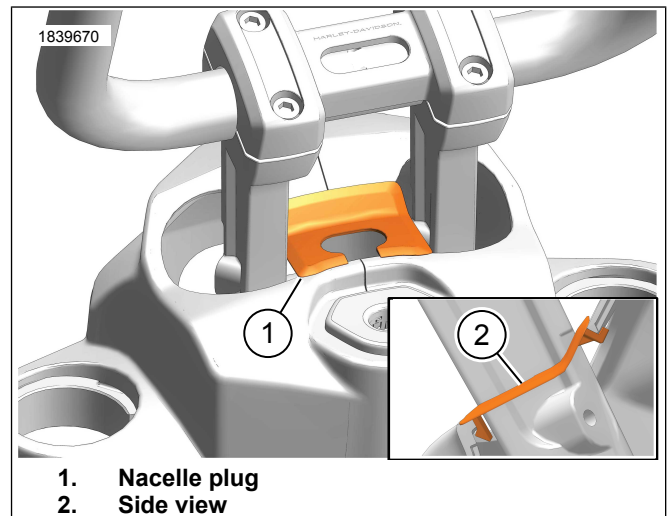


Figure 5. Nacelle Plug

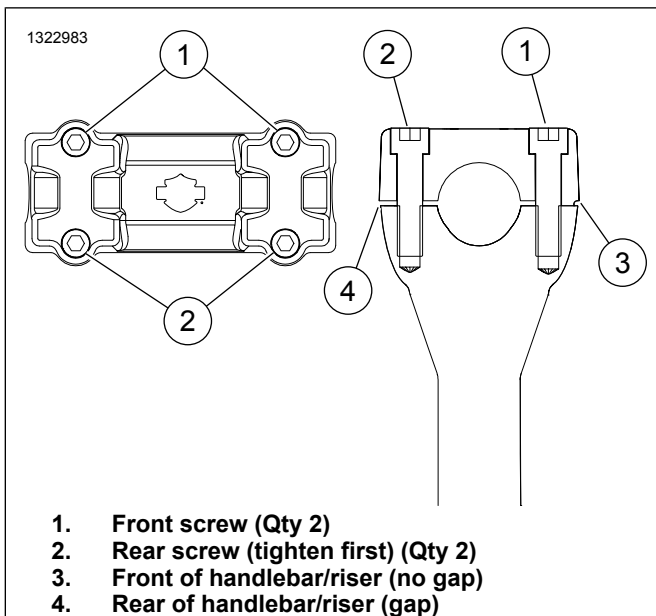


Figure 6. Handlebar Mounting (Typical)

- Be sure wires, clutch cables, throttle cables and brake lines do not pull tight when handlebars are turned fully to left or right fork stops.

COMPLETE

NOTE

For required clutch and brake lines installation, see the **HANDLEBAR INSTALLATION REQUIREMENTS** standalone publication.

1. Install clutch hand control bracket assembly from handlebar. Do not disconnect. See service manual.
2. Install master cylinder/brake lever assembly from handlebar. See service manual.
3. Install main fuse. See service manual.

SAFETY CHECKS

NOTICE

Improperly aligned handlebars or components can contact the fuel tank when turned to the left or right. Contact with the fuel tank can cause cosmetic damage. (00372b)

1. Turn handlebar full right and left. Check that:
 - a. Handlebar and triple tree clamps do not contact the fuel tank.
 - b. Steering stops function properly.
 - c. Wiring and brake line are not pinched or kinked in the steering assembly.
 - d. Throttle returns from full open to close at both fork stops.

⚠ WARNING

Install proper length brake lines. Incorrect brake line length can adversely affect motorcycle operation, which could cause loss of control resulting in death or serious injury. (00325a)

⚠ WARNING

Be sure that steering is smooth and free without interference. Interference with steering could result in loss of vehicle control and death or serious injury. (00371a)

- If installing different handlebars, measure the change in distance that will be required from the end of the stock brake line to the brake master cylinder.
- If the line is more than 50.8 mm (2 in) longer or more than 25.4 mm (1 in) shorter than the above measured distance, see a Harley-Davidson dealer for the correct brake line length.