



# INSTRUCTIONS

94100460

2024-01-23



## SADDLEBAG GUARD KIT

### GENERAL INFORMATION

Table 1. General Information

Kits	Suggested Tools	Skill Level <sup>(1)</sup>
90202657	Safety Glasses, Torque Wrench	
<i>(1) Tightening to torque value or other moderate tools and techniques required</i>		

### KIT CONTENTS

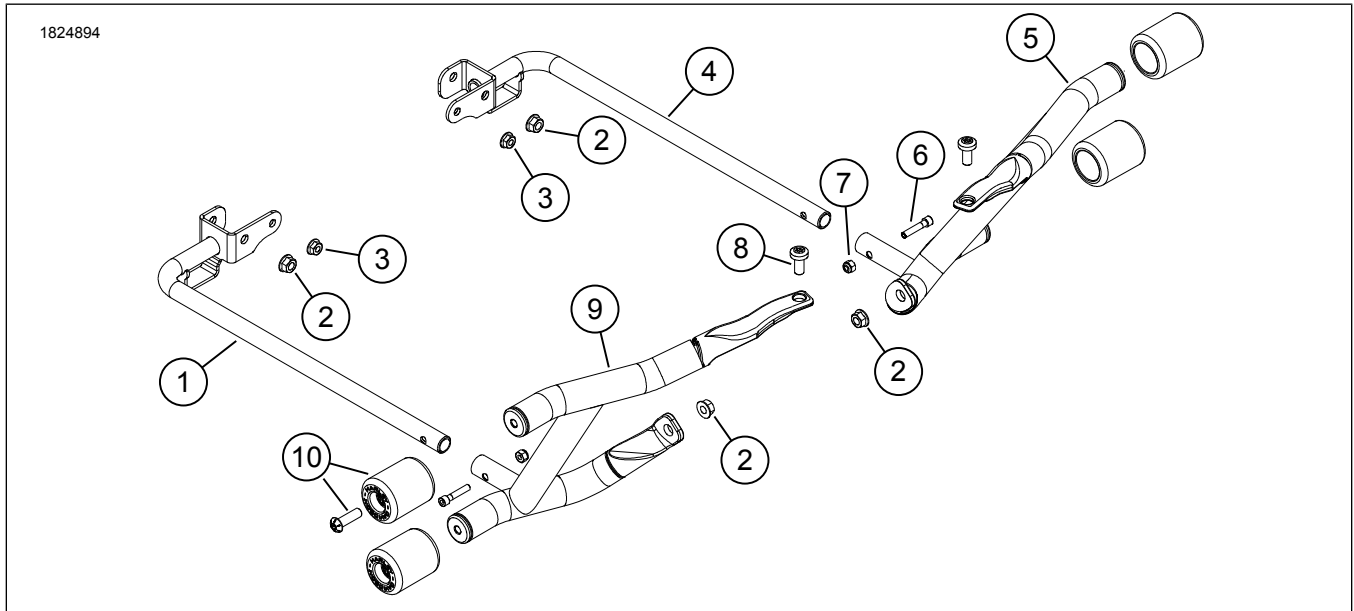
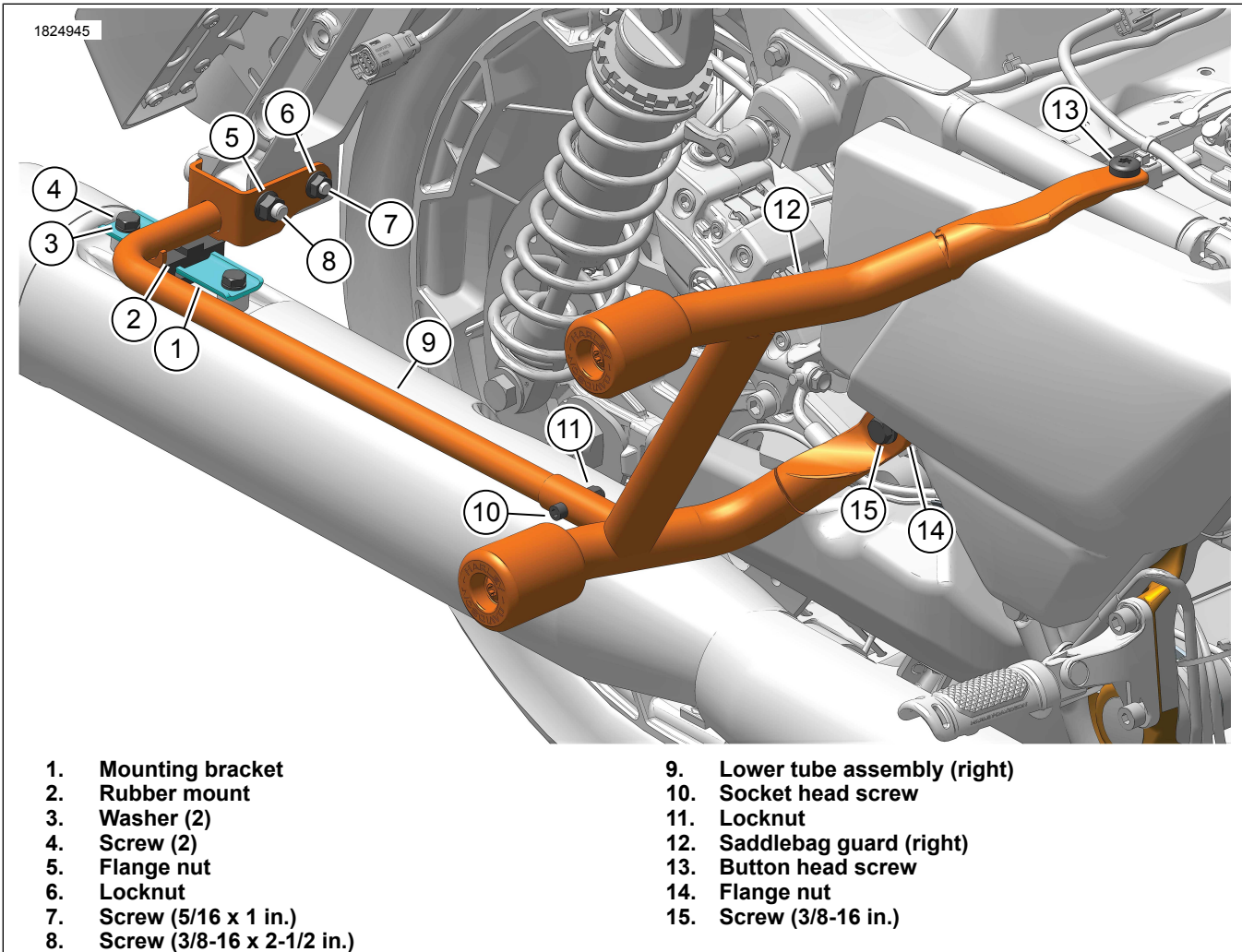


Figure 1. Kit Contents: Saddlebag Guard kit

**Table 2. Kit Contents: Saddlebag Guard kit**

<input checked="" type="checkbox"/>	Verify that all contents are present in the kit before installing or removing items from vehicle.				
Item	Qty	Description	Part No.	Notes	
<input type="checkbox"/>	1	Lower tube assembly, right	90202682		
<input type="checkbox"/>	2	Nut, flange	7601		
<input type="checkbox"/>	3	Locknut, large	7531		
<input type="checkbox"/>	4	Lower tube assembly, left	90202683		
<input type="checkbox"/>	5	Saddlebag guard, left	90202669		
<input type="checkbox"/>	6	Screw, socket head	3601		
<input type="checkbox"/>	7	Locknut, small	7686		
<input type="checkbox"/>	8	Screw, button head	4924		
<input type="checkbox"/>	9	Saddlebag guard, right	90202655		
<input type="checkbox"/>	10	Service kit (bumper and screw)	49000243		



**Figure 2. Saddlebag Guard Assembly**

## GENERAL

### Models

For model fitment information, see the Parts and Accessories (P&A) Retail Catalog or the Parts and Accessories section of [www.harley-davidson.com](http://www.harley-davidson.com).

Verify that the most current version of the instruction sheet is used. It is available at: [h-d.com/isheets](http://h-d.com/isheets)

Contact Harley-Davidson Customer Support Center at 1-800-258-2464 (U.S. only) or 1-414-343-4056.

### Installation Requirements

#### ⚠ WARNING

Rider and passenger safety depend upon the correct installation of this kit. Use the appropriate service manual procedures. If the procedure is not within your capabilities or you do not have the correct tools, have a Harley-Davidson dealer perform the installation. Improper installation of this kit could result in death or serious injury. (00333b)

#### NOTE

This instruction sheet references service manual information. A service manual for the year and model motorcycle is required for this installation and is available from:

- A Harley-Davidson dealer.
- H-D Service Information Portal, a subscription-based access available for most 2001 and newer models. For more information see *Frequently ask questions about subscriptions*.

### PREPARE

1. Remove seat. See service manual.
2. Remove left and right saddlebags. See service manual.

### REMOVE

1. See Figure 3. Remove both saddlebag supports (5).
  - a. Remove and retain screws (3), washers (4), mounting bracket (2) and rubber mount (1).
  - b. Remove screw (6) and lock nut (7). Retain screw (6).
  - c. Remove screw (8) and flange nut (9). Retain screw (8).
  - d. Remove screw (11) and flange nut (12). Retain screw (11).

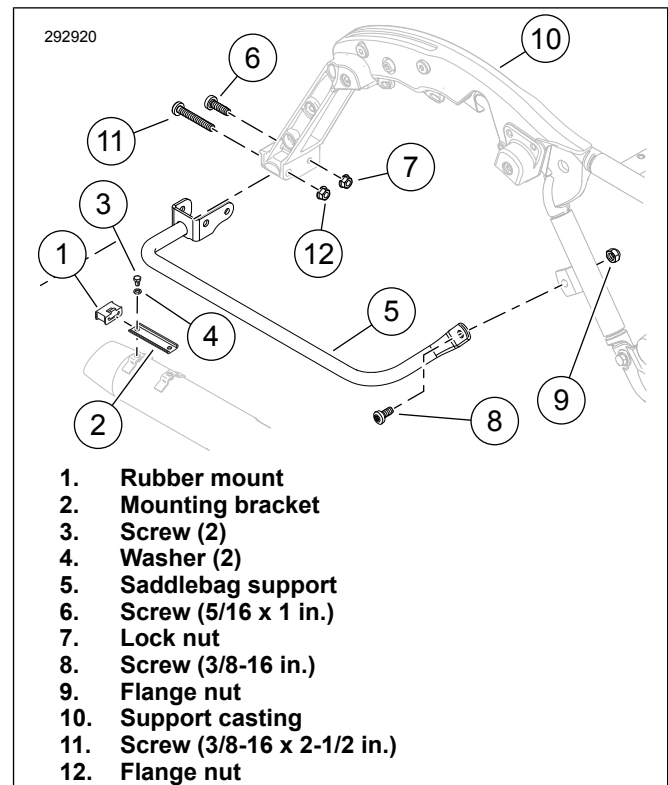


Figure 3. Support Mounting Bracket

### INSTALL

#### ⚠ WARNING

If Equipped: Front and/or rear guards are not intended to provide protection from bodily injury in a collision with another vehicle or any other object. (00022d)

1. See Figure 2. Install rubber mount (2) to lower tube assembly (9).
2. Install mounting bracket (1) into rubber mount (2).
3. Insert lower tube assembly (9) into saddlebag guard (12).
  - a. Loosely install socket head screw (10) and locknut (11).
4. Install lower tube assembly (9) to support casting.
  - a. Loosely install screw (8, removed earlier) and flange nut (5).
  - b. Loosely install screw (7, removed earlier) and lock nut (6).
5. Install saddlebag guard (12) to mid-frame.
  - a. Loosely install button head screw (13).
  - b. Loosely install screw (15) and flange nut (14).
6. Loosely attach muffler to lower tube assembly (9).
  - a. Adjust mounting bracket (1) to muffler.

- b. Install washers (3) and screws (4).
- c. Adjust entire assembly as needed.

7. Tighten screw (7).  
Torque: 20–27 N·m (15–20 ft-lbs)
8. Tighten screw (8).  
Torque: 40.5–50 N·m (30–37 ft-lbs)
9. Tighten screw (13).  
Torque: 43.5–49 N·m (32–36 ft-lbs)
10. Tighten screw (15).  
Torque: 43.5–49 N·m (32–36 ft-lbs)
11. Tighten screw (10).  
Torque: 8–11.3 N·m (71–100 in-lbs)
12. Tighten screws (4).  
Torque: 10.8–16.3 N·m (96–144 in-lbs)

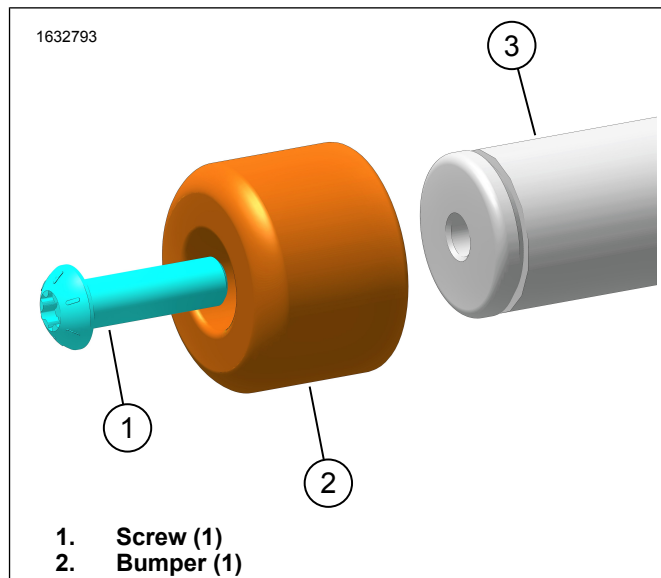


Figure 4. Bumper Replacement

13. Repeat procedure on opposite side of vehicle.
14. Install bumpers and screws. Refer to SERVICE.

## COMPLETE

1. Install seat. After installing seat, pull up on seat to verify that it is secure. See service manual.
2. Install saddlebags. See service manual.

## SERVICE

### NOTE

*Service kit has enough components for one side to be replaced.*

**Check flat-out bar for damage prior to replacing bumper. Replace as needed.**

1. See Figure 4. Remove and discard screw (1) and bumper (2).
2. Install bumper (2).
3. Install screw (1). Tighten.  
Torque: 23–26 N·m (17–19 ft-lbs)